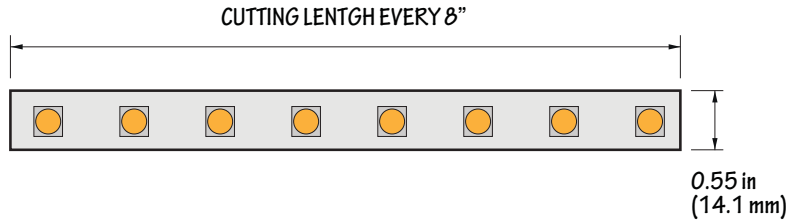


SPECIFICATION SHEET

JOB NAME: _____
 LOCATION: _____
 QUOTE/REF#: _____



LSRN SERIES is a high performance, water-resistant LED strip designed for all-weather and harsh environments. It is manufactured with a patented epoxy PVC material that makes the LED strip resistant to saltwater, chlorine, rain, and humidity. The LSRN Series is the perfect solution for lighting areas where exposure to extreme elements cannot be avoided.

SPECIFICATIONS

INPUT VOLTAGE	24V DC
POWER CONSUMPTION	2.2 per ft.
LUMEN OUTPUT	275 Lumens per ft. (30K) 295 Lumens per ft. (40K)
NO. OF LEDs	19 LEDs per foot
BEAM ANGLE	120°
CRI	90+
DIMMING	Compatible with CL dimmers
MAXIMUM RUN LENGTH	32.8 ft
FIELD CUTTABLE	NO
IP RATING	IP65 wet location (outdoor)
LUMEN MAINTENANCE	50,000 hrs.
OPERATING TEMPERATURE	-40°F(-40°C)~+122°F(+60°C)
BINNING	1.5 Step Macadam Elipse
CERTIFICATIONS	UL listed
DIMENSIONS	0.50" x 0.22 (width x height)

FEATURES

- 4.4W per ft.
- 19 LEDs per ft.
- Water resistant
- Suitable WET/OUTDOOR applications.
- Multiple CCT options available
- Superior COLOR RENDERING INDEX (CRI)
- UL Listed
- Dimmable with CL dimmers

	COLOR TEMP	CRI	LUMENS
	2700K	85+	190
	3000K	85+	190
	3500K	85+	190
	4000K	85+	190
	5000K	85+	190



LSRN-20 2.2W Nautical Outdoor Flexible LED Strip

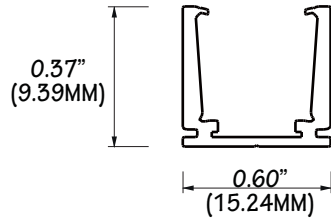
STANDARD ORDERING CODE

Model	Color Temp	Length	Voltage
LSRN-20	27K - 2700K	16 - 16.4 ft	24V - 24V DC
	30K - 3000K	32 - 32 ft	
	35K - 3500K	PF - per ft	
	40K - 4000K		
	50K - 5000K		
	RGB - RGB		

CUSTOMIZED LENGTH ORDERING CODE

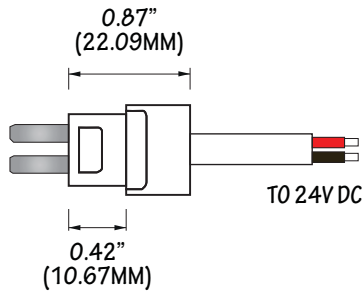
Model	Color Temp	Length	Voltage
LSRN-20	27K - 2700K	XX - Custom Length	24V - 24V DC
	30K - 3000K		
	35K - 3500K		
	40K - 4000K		
	50K - 5000K		
	RGB - RGB		

COMPATIBLE ACCESSORIES



ALUMINUM CHANNEL

LSRN-AC2	2" PROFILE
LSRN-AC39	39" PROFILE

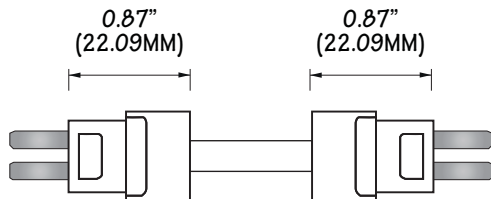


HARDWIRE CONNECTOR KIT

LSRN-HW36	36" CONNECTOR
LSRN-HW120	120" CONNECTOR
LSRN-HW200	200" CONNECTOR

KIT INCLUDES:

Connector	1PC
PC Cover	1PC
Anti-skidding clip	1PC
Heat-shrink tube	1PC

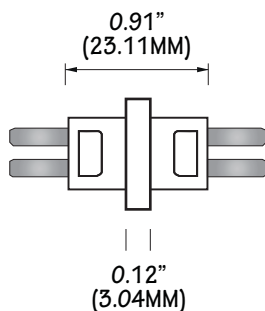


INTERLINK CABLE KIT

LSRN-EX2	2" LINK CABLE
LSRN-EX6	6" LINK CABLE

KIT INCLUDES:

Interlink Cable	1PC
PC Cover	2PCS
Anti-skidding clip	2PCS
Heat-shrink tube	2PCS



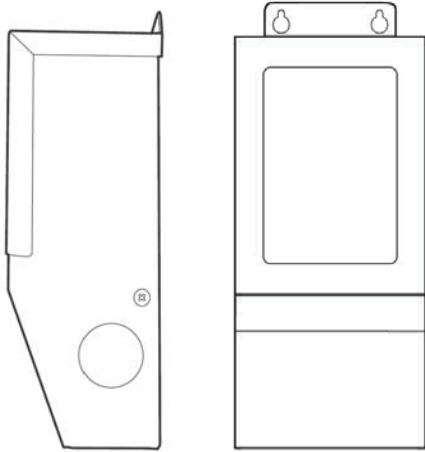
SEAMLESS COUPLING KIT

LSRN-MC	MINI COUPLING
----------------	---------------

KIT INCLUDES:

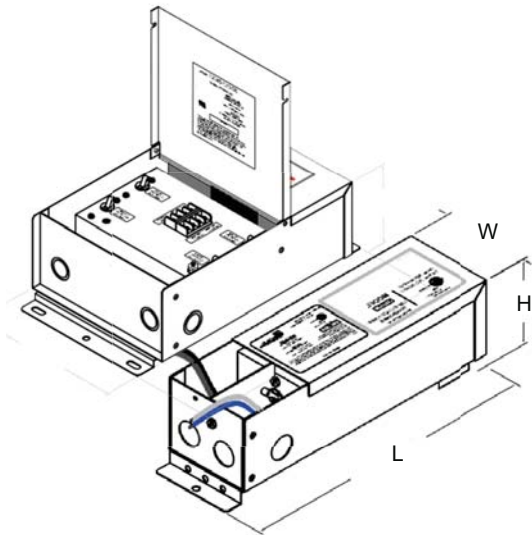
Coupling	1PC
PC Cover	2PCS
Anti-skidding clip	2PCS
Heat-shrink tube	1PC

COMPATIBLE TRANSFORMERS



PSDM SERIES DIMMABLE MAGNETIC LOW VOLTAGE (MLV)

PSDM-20W-24V	CLASS 2	5.6" x 2" x 2.14"
PSDM-40W-24V	CLASS 2	5.6" x 2" x 2.14"
PSDM-60W-24V	CLASS 2	6.5" x 2.3" x 2.5"
PSDM-100W-24V	CLASS 2	6.5" x 2.3" x 2.5"
PSDM-150W-24V		9.8" x 3" x 3"
PSDM-192W-24V	CLASS 2	7.0" x 7.0" x 3.2"
PSDM-200W-24V		9.8" x 3" x 3"
PSDM-288W-24V	CLASS 2	9.8" x 4.2" x 3.5"
PSDM-300W-24V		7.0" x 7.0" x 3.2"



PSDH SERIES HIGH PERFORMANCE MLV

PSDH-48W-24V	CLASS 2	11.25" x 3.37" x 3.25"
PSDH-96W-24V	CLASS 2	11.25" x 3.37" x 3.25"
PSDH-288W-24V	CLASS 2	14.25" x 8.43" x 4.43"

COMPATIBLE TRANSFORMERS



PSDL SERIES TRIAC DIMMABLE

PSDL-30W-24V	CLASS 2	6.5"x 3.63"x 1.03"
PSDL-60W-24V	CLASS 2	7.4"x 3.63"x 1.03"
PSDL-96W-24V	CLASS 2	8.67"x 3.67"x 1.62"
PSDL-150W-24V		8.67"x 3.67"x 1.62"
PSDL-192W-24V		10.25"x 4.06"x 1.82"
PSDL-200W-24V		10.25"x 4.06"x 1.82"
PSDL-288W-24V		10.25"x 4.06"x 1.82"
PSDL-300W-24V		10.25"x 4.06"x 1.82"

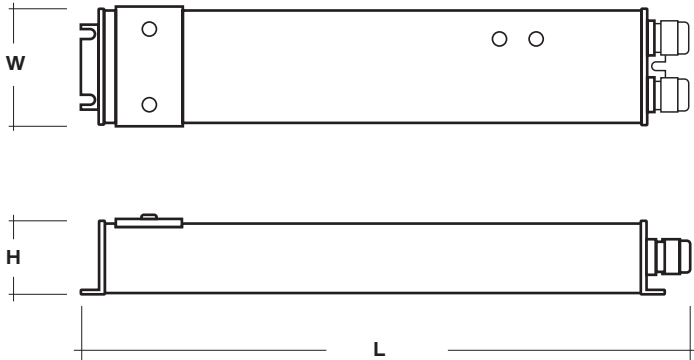


PSHK SERIES NON-DIMMING WITH JUNCTION BOX

PSHK-30W-24V-UNV	CLASS 2	6.5" X 3.6" X 1.02"
PSHK-60W-24V-UNV	CLASS 2	7.4" X 3.62" X 1.02"
PSHK-96W-24V-UNV	CLASS 2	8.66" X 3.66" X 1.61"
PSHK-150W-24V-UNV		10.24" X 4.06" X 1.81"
PSHK-200W-24V-UNV		10.24" X 4.06" X 1.81"
PSHK-300W-24V-UNV		10.94" X 4.25" X 1.81"

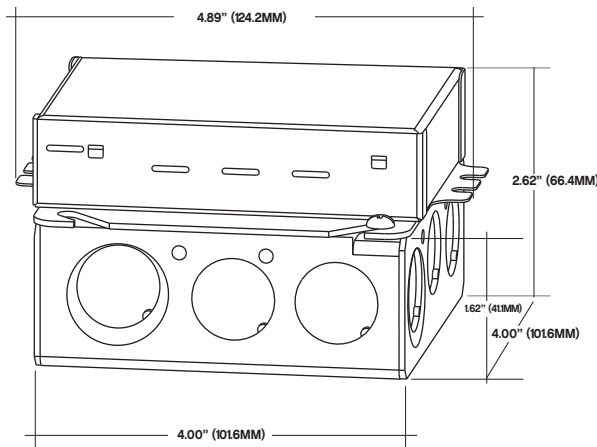
LSRN-20 2.2W Nautical Outdoor Flexible LED Strip

COMPATIBLE TRANSFORMERS



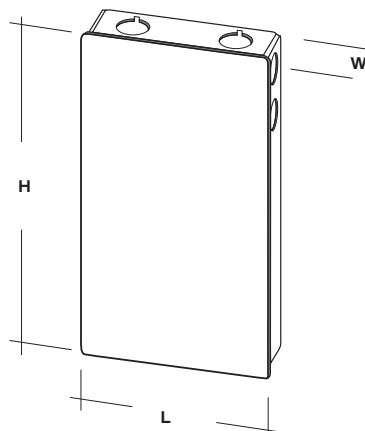
PSDE SERIES 0-10V DIMMING WITH JUNCTION BOX

PSDE-100W-24V-010-JB CLASS 2 12.32" x 1.77" x 1.67"



LUTRON 1% 2 OR 3-WIRE DIMMING

LTEA4U1UKL-CV240 CLASS 2 4.0" x 1.5" x 4.0"
L3DA4U1UKL-CV240 CLASS 2 4.0" x 1.5" x 4.0"



LUTRON 1%

PSDE-96W-24V-ECO CLASS 2 10.5" x 3.0" x 2.0"