

LSXT-250 2.2W Long Run Series LED Strip

SPECIFICATION SHEET

JOB NAME: _____
LOCATION: _____
QUOTE/REF#: _____



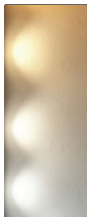
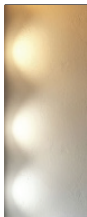
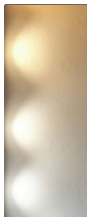
The LSXT-250 SERIES is a dimmable, flexible LED strip capable of delivering up to 235 Lumens of light output per foot. It is cuttable every 3.94" and can reach a maximum of 64 Ft. in a single, continuous run. This innovative strip delivers consistent brightness with superior color rendering in a very efficient package.

SPECIFICATIONS

INPUT VOLTAGE	24V DC
POWER CONSUMPTION	2.2W per foot
LUMEN OUTPUT	235 Lumens per foot (30K)
NO. OF LEDs	21 LEDs per foot
BEAM ANGLE	120°
CRI	90+
DIMMING	MLV, ELV & TRIAC
MAXIMUM RUN LENGTH	64 Feet
CUTTING INCREMENTS	Every 3.94 in
IP RATING	IP65 wet location (outdoor)
LUMEN MAINTENANCE	50,000 hrs.
OPERATING TEMPERATURE	-4°F(-20°C)~+122°F(+50°C)
OPERATING TEMPERATURE	-22°F(-30°C)~+176°F(+80°C)
CERTIFICATIONS	UL listed
DIMENSIONS	0.51" x 0.5.4" (width x height)

FEATURES

- 2.4W per Foot
- 24V Low-Voltage LED Strip
- Suitable for accent or ambient lighting
- Multiple CCT options available
- Superior COLOR RENDERING INDEX (CRI)
- UL Listed
- Dimmable CORE Lighting Dimming Drivers

	COLOR TEMP	CRI	LUMEN/FT
	2700K	90+	233
	3000K	90+	235
	4000K	90+	238



LSXT-250 2.2W Long Run Series LED Stript

STANDARD ORDERING CODE

Model	Color Temp	Length	Voltage
LSXT-250	27K - 2700K 30K - 3000K 40K - 4000K	50 - 50 Ft. 150 - 150 Ft. PF - PER Ft.	24V - 24V DC

CUSTOMIZED LENGTH ORDERING CODE

Model	Color Temp	Length	Voltage
LSXT-250	27K - 2700K 30K - 3000K 40K - 4000K	XX - Custom Length	24V - 24V DC

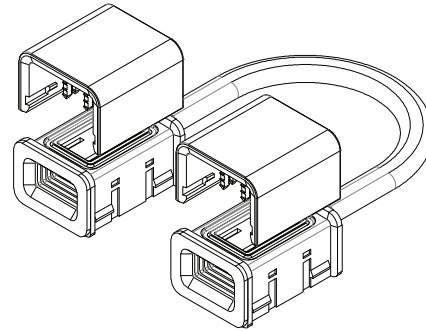
LSXT-250 2.2W Long Run Series LED Strip

COMPATIBLE ACCESORIES

LSXT-EX | EXTENSION COUPLING

Easy snap-on connection between two strips.

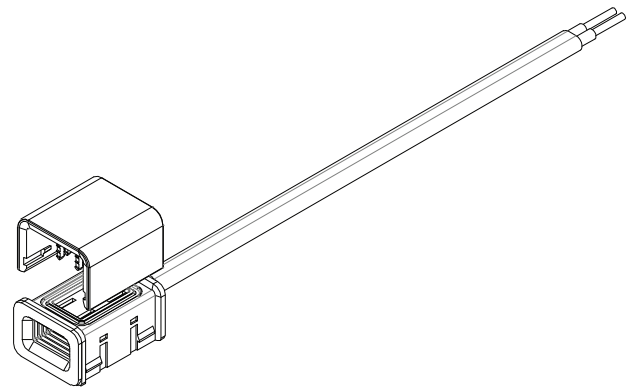
- LSXT-EX3 3" Extension Coupling
- LSXT-EX8 8" Extension Coupling
- LSXT-EX24 24" Extension Coupling



LSXT-HW | HARDWIRE CONNECTOR

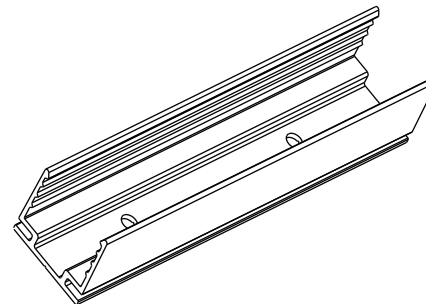
Easy snap-on hardwire connection to power source.

- LSXT-HW24 24" Hardwire Connector
- LSXT-HW60 60" Hardwire Connector
- LSXT-HW120 120" Hardwire Connector

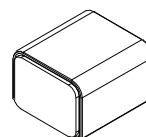


LSXT-AC | MOUNTING CHANNEL

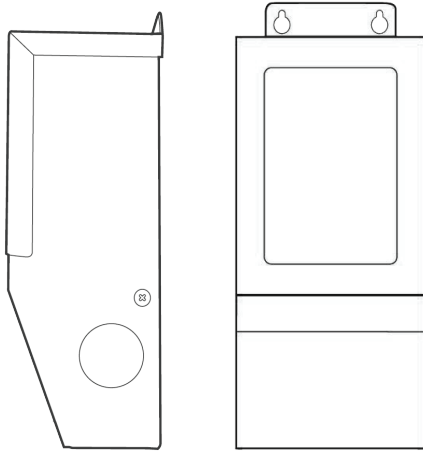
- LSXT-AC2 2" Mounting Channel
- LSXT-AC48 48" Mounting Channel



LSXT-EC | END CAP

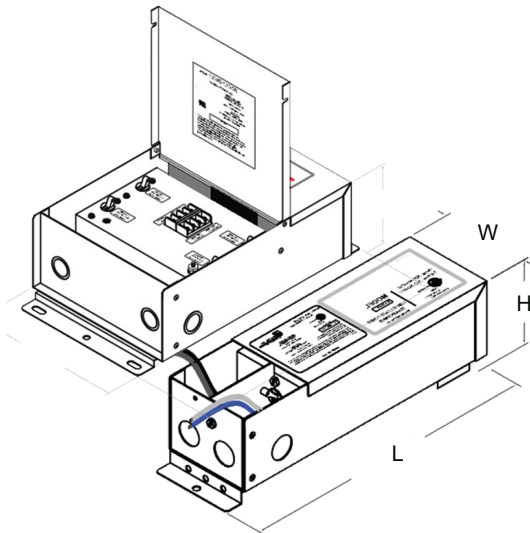


COMPATIBLE TRANSFORMERS



PSDM SERIES DIMMABLE MAGNETIC LOW VOLTAGE (MLV)

PSDM-20W-24V	CLASS 2	5.6" x 2" x 2.14"
PSDM-40W-24V	CLASS 2	5.6" x 2" x 2.14"
PSDM-60W-24V	CLASS 2	6.5" x 2.3" x 2.5"
PSDM-100W-24V	CLASS 2	6.5" x 2.3" x 2.5"
PSDM-150W-24V		9.8" x 3" x 3"
PSDM-192W-24V	CLASS 2	7.0" x 7.0" x 3.2"
PSDM-200W-24V		9.8" x 3" x 3"
PSDM-288W-24V	CLASS 2	9.8" x 4.2" x 3.5"
PSDM-300W-24V		7.0" x 7.0" x 3.2"



PSDH SERIES HIGH PERFORMANCE MLV

PSDH-48W-24V	CLASS 2	11.25" x 3.37" x 3.25"
PSDH-96W-24V	CLASS 2	11.25" x 3.37" x 3.25"
PSDH-288W-24V	CLASS 2	14.25" x 8.43" x 4.43"

COMPATIBLE TRANSFORMERS



PSDL SERIES TRIAC DIMMABLE

PSDL-30W-24V	CLASS 2	6.5"x 3.63"x 1.03"
PSDL-60W-24V	CLASS 2	7.4"x 3.63"x 1.03"
PSDL-96W-24V	CLASS 2	8.67"x 3.67"x 1.62"
PSDL-150W-24V		8.67"x 3.67"x 1.62"
PSDL-192W-24V		10.25"x 4.06"x 1.82"
PSDL-200W-24V		10.25"x 4.06"x 1.82"
PSDL-288W-24V		10.25"x 4.06"x 1.82"
PSDL-300W-24V		10.25"x 4.06"x 1.82"

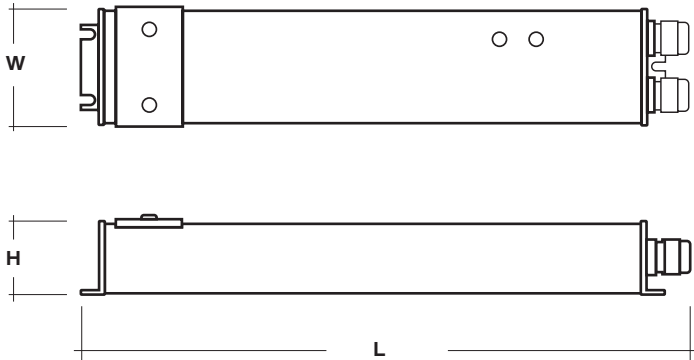


PSHK SERIES NON-DIMMING WITH JUNCTION BOX

PSHK-30W-24V-UNV	CLASS 2	6.5" X 3.6" X 1.02"
PSHK-60W-24V-UNV	CLASS 2	7.4" X 3.62" X 1.02"
PSHK-96W-24V-UNV	CLASS 2	8.66" X 3.66" X 1.61"
PSHK-150W-24V-UNV		10.24" X 4.06" X 1.81"
PSHK-200W-24V-UNV		10.24" X 4.06" X 1.81"
PSHK-300W-24V-UNV		10.94" X 4.25" X 1.81"

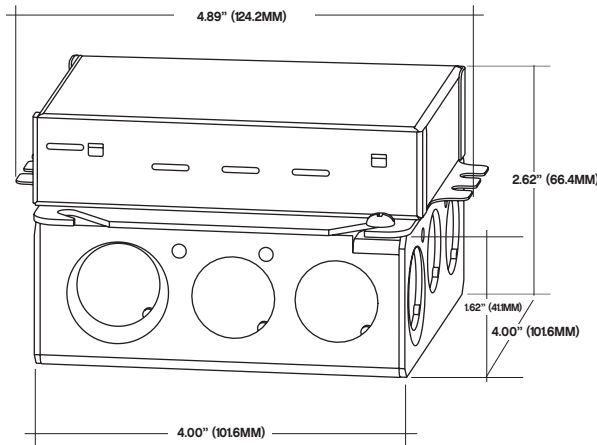
LSXT-250 2.2W Long Run Series LED Strip

COMPATIBLE TRANSFORMERS



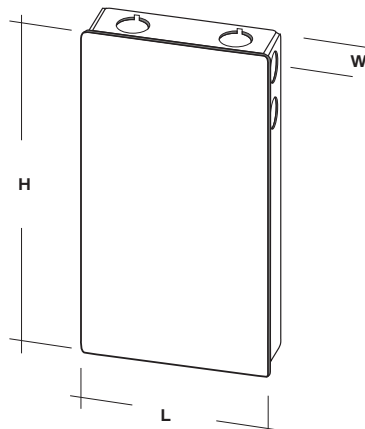
PSDE SERIES 0-10V DIMMING WITH JUNCTION BOX

PSDE-100W-24V-010-JB CLASS 2 12.32" x 1.77" x 1.67"



LUTRON 1% 2 OR 3-WIRE DIMMING

LTEA4U1UKL-CV240 CLASS 2 4.0" x 1.5" x 4.0"
L3DA4U1UKL-CV240 CLASS 2 4.0" x 1.5" x 4.0"



LUTRON 1%

PSDE-96W-24V-ECO CLASS 2 10.5" x 3.0" x 2.0"