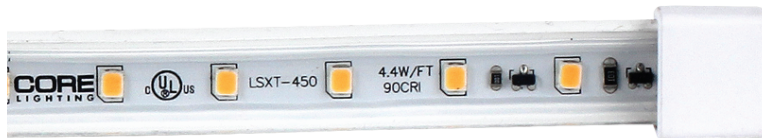


LSXT-450 4.4W Long Run Series LED Strip

SPECIFICATION SHEET

JOB NAME: _____
LOCATION: _____
QUOTE/REF#: _____



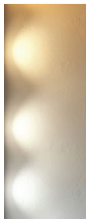
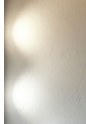

The **LSXT-450 SERIES** is a dimmable, flexible LED strip capable of delivering up to **473 Lumens** of light output per foot. It is cuttable every 3.94" and can reach a maximum of 32 Ft. in a single, continuous run. This innovative strip delivers consistent brightness with superior color rendering at a very efficient package.

FEATURES

- 4.4W per Foot
- 24V Low-Voltage LED Strip
- Suitable for accent or ambient lighting
- Multiple CCT options available
- Superior COLOR RENDERING INDEX (CRI)
- UL Listed
- Dimmable CORE Lighting Dimming Drivers

SPECIFICATIONS

INPUT VOLTAGE	24V DC
POWER CONSUMPTION	4.4W per foot
LUMEN OUTPUT	473 Lumens per foot (30K)
NO. OF LEDs	21 LEDs per foot
BEAM ANGLE	120°
CRI	90+
DIMMING	MLV, ELV & TRIAC
MAXIMUM RUN LENGTH	32 Feet
CUTTING INCREMENTS	Every 3.94 in
IP RATING	IP65 wet location (outdoor)
LUMEN MAINTENANCE	50,000 hrs.
OPERATING TEMPERATURE	-4°F(-20°C)~+122°F(+50°C)
OPERATING TEMPERATURE	-22°F(-30°C)~+176°F(+80°C)
CERTIFICATIONS	UL listed
DIMENSIONS	0.51" x 0.54" (width x height)

	COLOR TEMP	CRI	LUMEN/FT
	2700K	90+	471
	3000K	90+	473
	4000K	90+	476



LSXT-450 4.4W Long Run Series LED Strip

STANDARD ORDERING CODE

Model	Color Temp	Length	Voltage
LSXT-450	27K - 2700K 30K - 3000K 40K - 4000K	50 - 50 Ft. 150 - 150 Ft. PF - PER Ft.	24V - 24V DC

CUSTOMIZED LENGTH ORDERING CODE

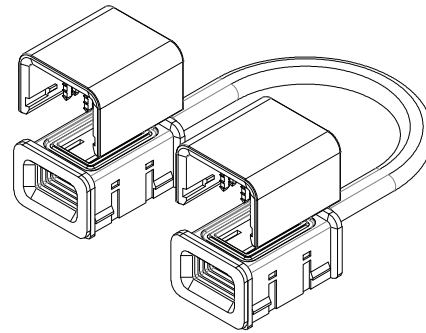
Model	Color Temp	Length	Voltage
LSXT-450	27K - 2700K 30K - 3000K 40K - 4000K	XX - Custom Length	24V - 24V DC

LSXT-450 4.4W Long Run Series LED Strip

COMPATIBLE ACCESORIES

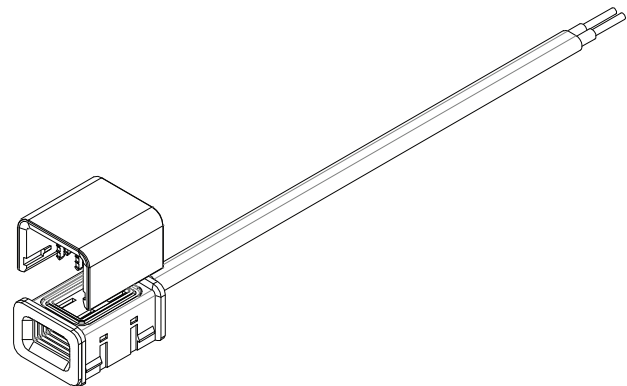
LSXT-EX | EXTENSION COUPLING
Easy snap-on connection between two strips.

- LSXT-EX3** 3" Extension Coupling
- LSXT-EX8** 8" Extension Coupling
- LSXT-EX24** 24" Extension Coupling



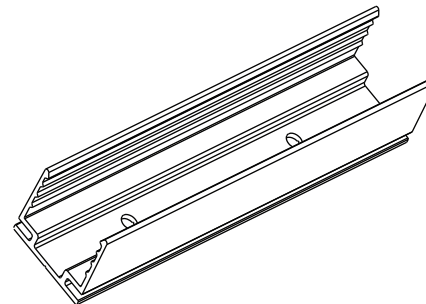
LSXT-HW | HARDWIRE CONNECTOR
Easy snap-on hardwire connection to power source.

- LSXT-HW24** 24" Hardwire Connector
- LSXT-HW60** 60" Hardwire Connector
- LSXT-HW120** 120" Hardwire Connector

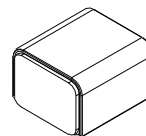


LSXT-AC | MOUNTING CHANNEL

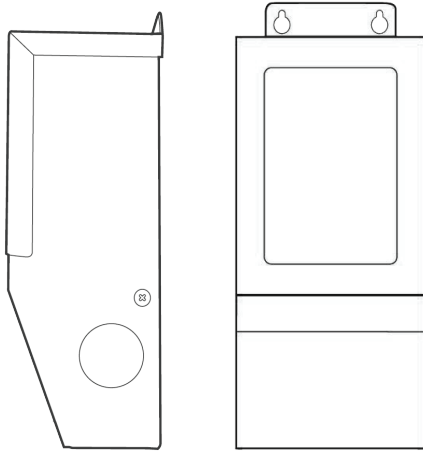
- LSXT-AC2** 2" Mounting Channel
- LSXT-AC48** 48" Mounting Channel



LSXT-EC | END CAP

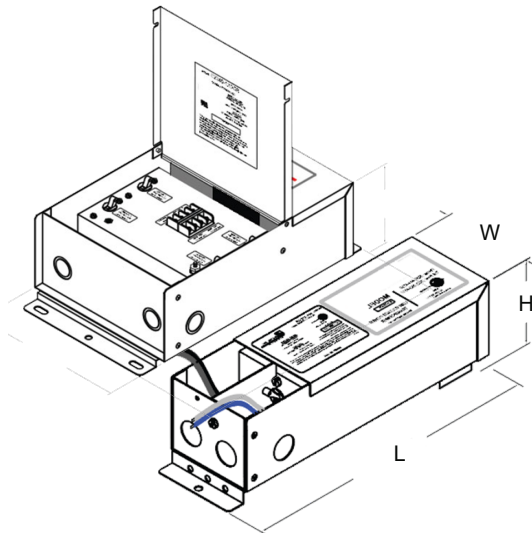


COMPATIBLE TRANSFORMERS



PSDM SERIES DIMMABLE MAGNETIC LOW VOLTAGE (MLV)

PSDM-20W-24V	CLASS 2	5.6" x 2" x 2.14"
PSDM-40W-24V	CLASS 2	5.6" x 2" x 2.14"
PSDM-60W-24V	CLASS 2	6.5" x 2.3" x 2.5"
PSDM-100W-24V	CLASS 2	6.5" x 2.3" x 2.5"
PSDM-150W-24V		9.8" x 3" x 3"
PSDM-192W-24V	CLASS 2	7.0" x 7.0" x 3.2"
PSDM-200W-24V		9.8" x 3" x 3"
PSDM-288W-24V	CLASS 2	9.8" x 4.2" x 3.5"
PSDM-300W-24V		7.0" x 7.0" x 3.2"



PSDH SERIES HIGH PERFORMANCE MLV

PSDH-48W-24V	CLASS 2	11.25" x 3.37" x 3.25"
PSDH-96W-24V	CLASS 2	11.25" x 3.37" x 3.25"
PSDH-288W-24V	CLASS 2	14.25" x 8.43" x 4.43"

COMPATIBLE TRANSFORMERS



PSDL SERIES TRIAC DIMMABLE

PSDL-30W-24V	CLASS 2	6.5"x 3.63"x 1.03"
PSDL-60W-24V	CLASS 2	7.4"x 3.63"x 1.03"
PSDL-96W-24V	CLASS 2	8.67"x 3.67"x 1.62"
PSDL-150W-24V		8.67"x 3.67"x 1.62"
PSDL-192W-24V		10.25"x 4.06"x 1.82"
PSDL-200W-24V		10.25"x 4.06"x 1.82"
PSDL-288W-24V		10.25"x 4.06"x 1.82"
PSDL-300W-24V		10.25"x 4.06"x 1.82"

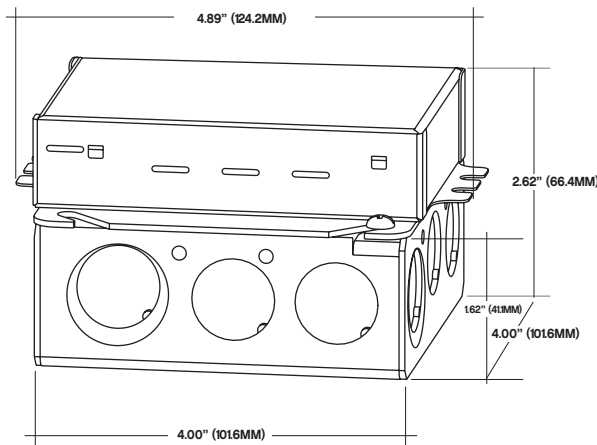
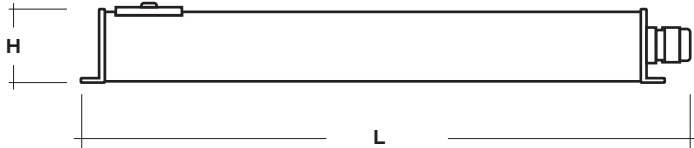


PSHK SERIES NON-DIMMING WITH JUNCTION BOX

PSHK-30W-24V-UNV	CLASS 2	6.5" X 3.6" X 1.02"
PSHK-60W-24V-UNV	CLASS 2	7.4" X 3.62" X 1.02"
PSHK-96W-24V-UNV	CLASS 2	8.66" X 3.66" X 1.61"
PSHK-150W-24V-UNV		10.24" X 4.06" X 1.81"
PSHK-200W-24V-UNV		10.24" X 4.06" X 1.81"
PSHK-300W-24V-UNV		10.94" X 4.25" X 1.81"

LSXT-450 4.4W Long Run Series LED Strip

COMPATIBLE TRANSFORMERS

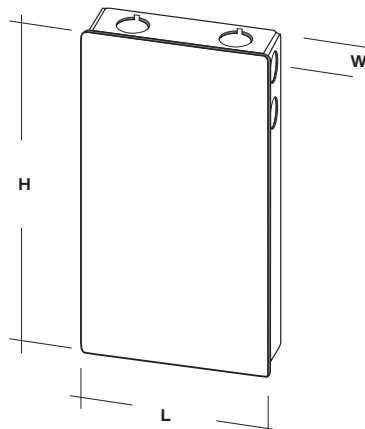


PSDE SERIES 0-10V DIMMING WITH JUNCTION BOX

PSDE-100W-24V-010-JB CLASS 2 12.32" x 1.77" x 1.67"

LUTRON 1% 2 OR 3-WIRE DIMMING

LTEA4U1UKL-CV240 CLASS 2 4.0" x 1.5" x 4.0"
L3DA4U1UKL-CV240 CLASS 2 4.0" x 1.5" x 4.0"



LUTRON 1%

PSDE-96W-24V-ECO CLASS 2 10.5" x 3.0" x 2.0"