

## SPECIFICATION SHEET

JOB NAME: \_\_\_\_\_  
 LOCATION: \_\_\_\_\_  
 QUOTE/REF#: \_\_\_\_\_



CORE LED MR16 uses the latest in LED technology to provide a direct replacement for Halogen MR16 Lamps. Patented optical technology and superior thermal management makes this LED bulb one of the most efficient LED MR16's out in the market today. Life rating of 35,000 hours is more than 10 times the lamp life of a standard MR16 halogen lamp. Available in different color temperatures, this high performance LED bulb is suitable for any retail, residential or commercial application.

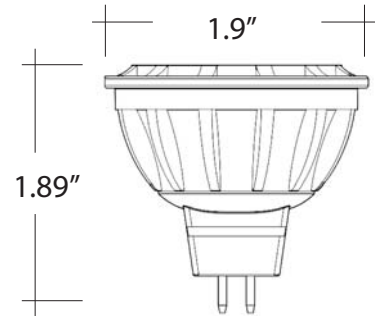
### FEATURES

- 12V AC/DC
- 550 Lumens
- Direct replacement for Halogen MR16
- Rated to last 35,000 Hrs
- Dimmable
- Mercury free

### SPECIFICATIONS

VOLTAGE	12V AC/DC
POWER CONSUMPTION	8.5W
LUMEN OUTPUT	550 Lumens
BASE	GU5.3
CCT	27K / 30K / 40K
CRI	90+
DIMMING	YES
BEAM ANGLE	15° / 25° / 35°
OPERATING TEMPERATURE	-4 ~ 122°F (-20 ~ 50°C)
AMBIENT TEMPERATURE	-4 ~ 176°F (-20 ~ 80°C)
LUMEN MAINTENANCE	35,000 hrs.
WARRANTY	3-Year Limited
DIMENSIONS	2.2" L x 2.0" H

### DIMENSIONS



**75W**  
Halogen Replacement

SUITABLE FOR ENCLOSED FIXTURES

ORDERING GUIDE EX: RL9WG2MR16-30K-35-12V

RL-9WG2MR16			
MODEL	COLOR TEMP	BEAM ANGLE	VOLTAGE
	27K - 2700K 30K - 3000K 40K - 4000K	15 - 15° 25 - 25° 35 - 35°	12V -- 12V AC/DC