

SALVO, 3-LIGHT PENDANT



Product Details

| | | |
|-------------|---|-----------|
| Item No. | : | 25707-014 |
| Finish | : | Chrome |
| Shade | : | Black |
| Diameter | : | 19.75" |
| Height | : | 8" |
| Est. Weight | : | 15.4 lbs |
| Approval | : | cULus |

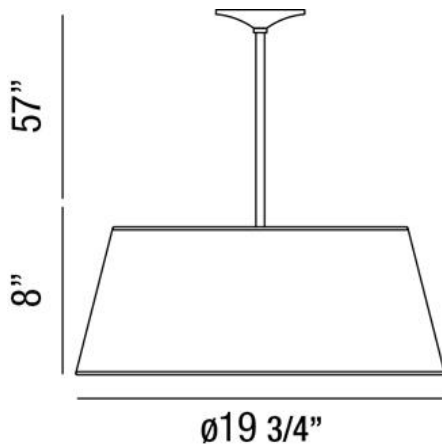
BULB DETAILS

| | | |
|---------------|---|------|
| No. of Bulbs | : | 3 |
| Bulb Type | : | B10 |
| Bulb Voltage | : | 120V |
| Bulb Wattage | : | 60W |
| Bulb Socket | : | E12 |
| Input Voltage | : | 120V |
| Dimmable | : | Yes |
| Bulb Included | : | No |

Options Available

| | | |
|-----------------|---------------|--------------|
| ITEM NO. | FINISH | SHADE |
| 25707-014 | Chrome | Black |

Silk pleated outer shade with cast crystal inner shade and chromed hardware



TECHNICAL DETAILS

| | | |
|----------------------|---|-----|
| Hanging Support Type | : | Rod |
| Rod Length | : | 57" |

PROJECT INFORMATION

Job Name: Date: Type:

Comments: