

TRIM

TE163LED

HOUSING

- 18 gauge powder coated steel housing
- Remodel housing complete with adjustable mounting clips suitable for 1/2" and 5/8" drywall
- New construction plate, insulated ceiling box and airtight IC box sold separately (refer to housing options)*

TRIM

- Extruded 6063 aluminum trim
- Powder coated finish
- Available in black, white and platinum

LAMPING

- 3 x 15W Integrated LED TRIAC Dimming. For 0-10V and alternate dimming options consult Eurofase
- Beam angle: 20°/40°
- Horizontal adjustment: 0° - 20°
- Kelvin: 3000K/3500K/4000K
- Lumen per head: 1290lm
- Total Lumens: 3870lm
- CRI: 90

ELECTRICAL

- Class 2 dimmable constant current driver (included)
- Driver box mates to fixture by 24" flexible BX cable and has one 1/2" and two 3/4" knockouts for through branch circuit wiring
- Thermally protected
- Input voltage: 120V. For 277V and 347V input options consult Eurofase

DIMENSIONS

- Cut hole: 13 1/2"L x 5 3/16"W
- Fixture: 14 3/8"L x 6 1/8"W x 6 5/16"H

PHOTOMETRICS

- See pg 15

CUSTOMIZATION

- For customization, please consult Eurofase

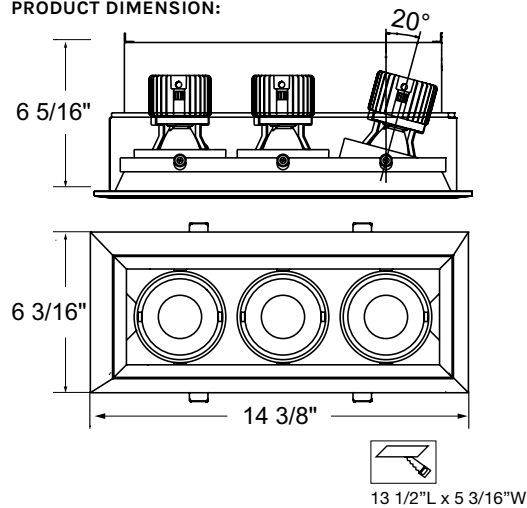


SPECIFICATION:

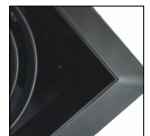


WATTS PER HEAD	LUMENS PER HEAD	KELVIN	DIMMABLE	CRI	BEAM ANGLE
15W	1290lm	3000K / 3500K / 4000K	TRIAC	90	20° / 40°

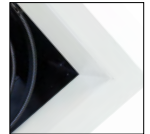
PRODUCT DIMENSION:



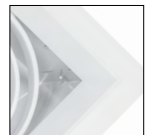
FINISHES:



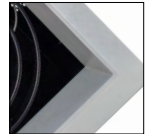
-01 Black/Black



-02 White/Black



-22 White/White



-0N Platinum/Black

ORDERING GUIDE:

MODEL	KELVIN	BEAM ANGLE	FINISH
TE163LED	-30 3000K	-2 20°	-01 Black/Black
	-35 3500K	-4 40°	-02 White/Black
	-40 4000K		-22 White/White
			-0N Platinum/Black

EXAMPLE: TE163LED-30-2-01

***HOUSING OPTIONS (SOLD SEPARATELY):**

Refer to page 138 for housing specification

24053-013

NEW CONSTRUCTION PLATE

30368-019

AIRTIGHT IC BOX

24073-011

INSULATED CEILING BOX



Cut Hole 13 1/2"L x 5 3/16"W
Dimension 22"L x 12 3/4"W x 1 3/8"H



Cut Hole 13 1/2"L x 5 3/16"W
Dimension 22"L x 12 3/4"W x 11 1/2"H

PROJECT INFORMATION

Job Name: Date: Type:

Comments: