

# FINELITE High Performance 4" Aperture (HP-4) - Wall Mount Indirect/Direct

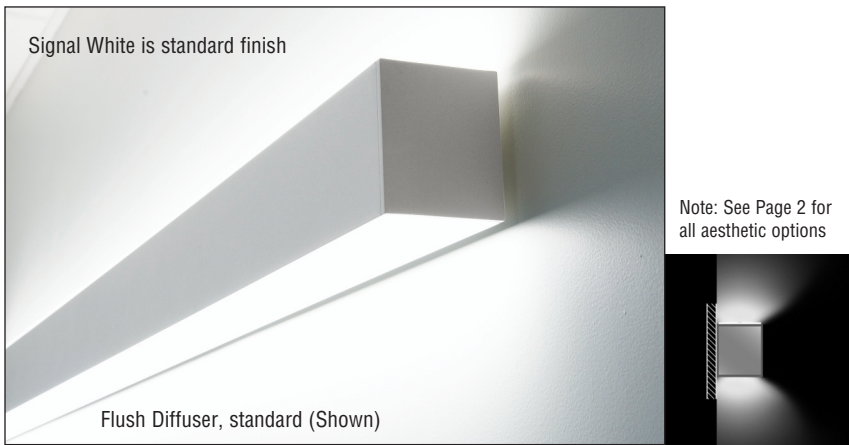


Date

Project

Type

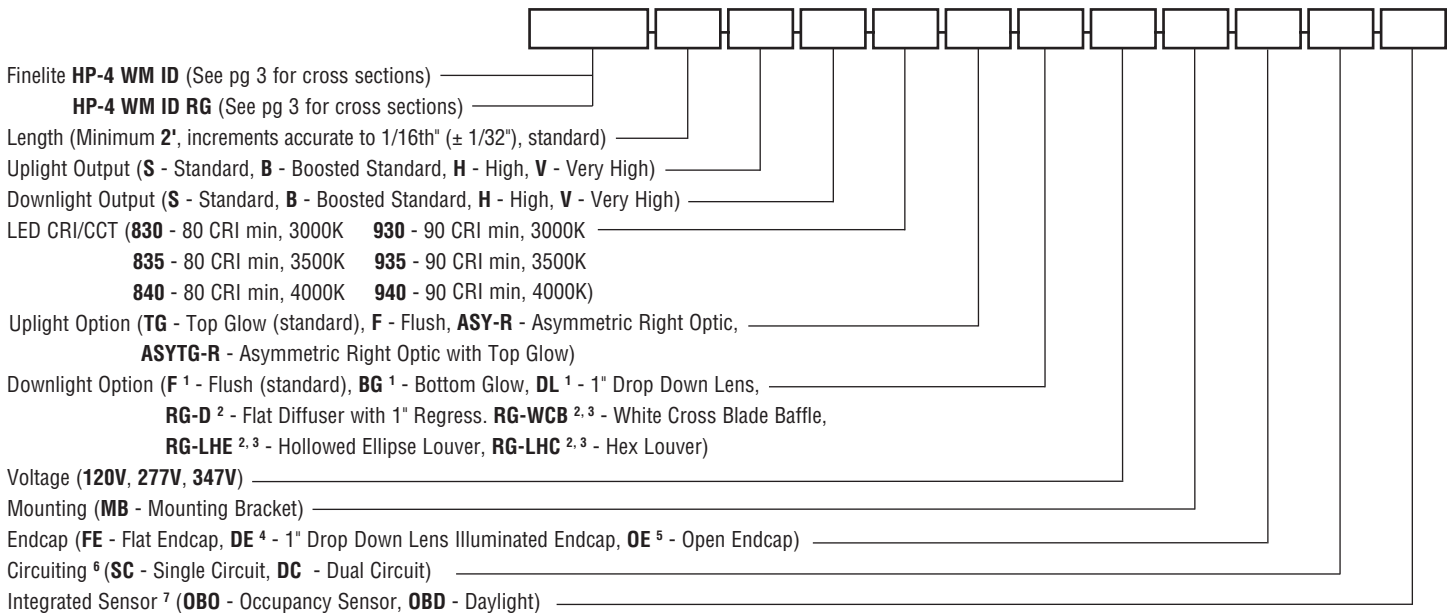
Comments



### DESCRIPTION

High Performance 4" aperture Indirect/Direct (HP-4 WM ID) is a patented, linear LED luminaire that offers many aesthetic options including Top Glow™ or Flush for uplight and Bottom Glow™, 1" Drop Down Lens, Flush, Regressed diffuser, White Cross Blade Baffle, Hollowed Ellipse Louver, or Hex Louver for downlight. HP-4 WM ID delivers excellent performance using an advanced optical design and mid-power LEDs to achieve 90% of initial light output at 100,000+ hours.

**ORDERING GUIDE:** Sample Number: HP-4 WM ID - 32' - S - H - 835 - TG - F - 120V - MB - FE - SC - OBO



<sup>1</sup> Available for HP-4 Wall Mount Indirect/Direct (HP-4 WM ID) only  
<sup>2</sup> Available for HP-4 Wall Mount Indirect/Direct Regressed (HP-4 WM ID RG) only  
<sup>3</sup> Available in 1" increments  
<sup>4</sup> Available for 1" Drop Down Lens (DL) downlight option only  
<sup>5</sup> Available with Hollowed Ellipse Louver (LHE) only  
<sup>6</sup> Contact factory for switching options  
<sup>7</sup> Available with Flush (F), Bottom Glow (BG), White Cross Blade Baffle (WCB), and Regressed (RG) downlight diffusers

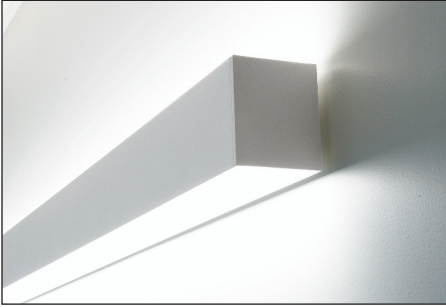
Protected by one or more US Patents: 8915613; D702,391; D702,390; D700,732 A brand of Legrand

Finelite, Inc. • 30500 Whipple Road • Union City, CA 94587-1530 • (510) 441-1100 • Fax: (510) 441-1510 • www.finelite.com

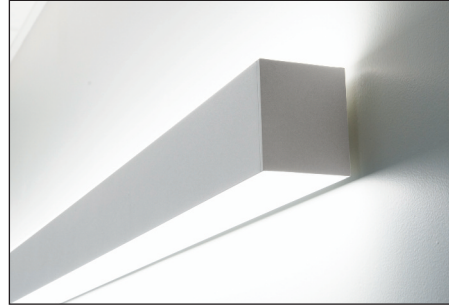
© 2019 FINELITE, INC. ALL RIGHTS RESERVED. Form CT10084\_V7 EFFECTIVE DATE: 09/24/19

# FINELITE High Performance 4" Aperture (HP-4) - Wall Mount Indirect/Direct

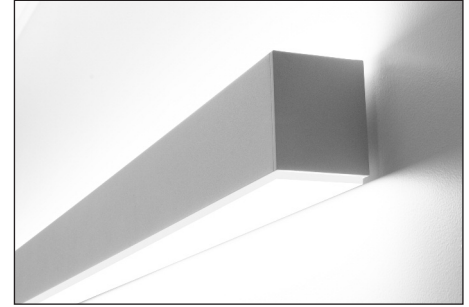
## AESTHETIC OPTIONS



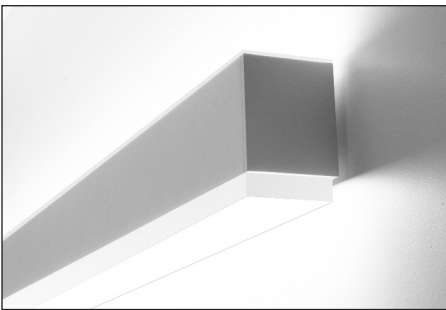
Top Glow and Flush Downlight Diffuser (TG/F)



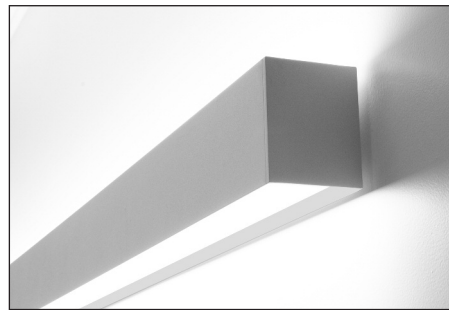
Flush Uplight and Downlight Diffuser (F/F)



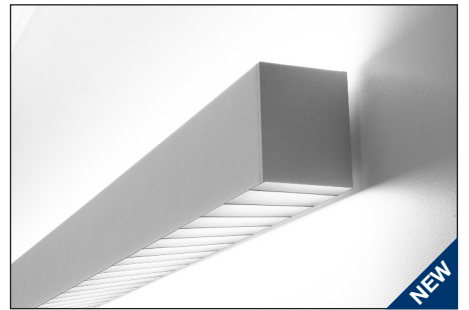
Top Glow and Bottom Glow Diffuser (TG/BG)



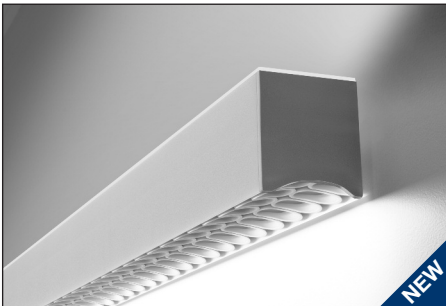
Top Glow and 1" Drop Down Lens (TG/DL)



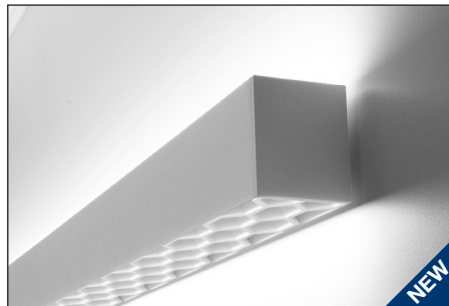
Top Glow and 1" Regressed Lens (TG/RG-D)



Top Glow with White Cross Blade Baffle (TG/RG-WCB)



HOLLOWED Ellipse Louver (TG/RG-LHE)



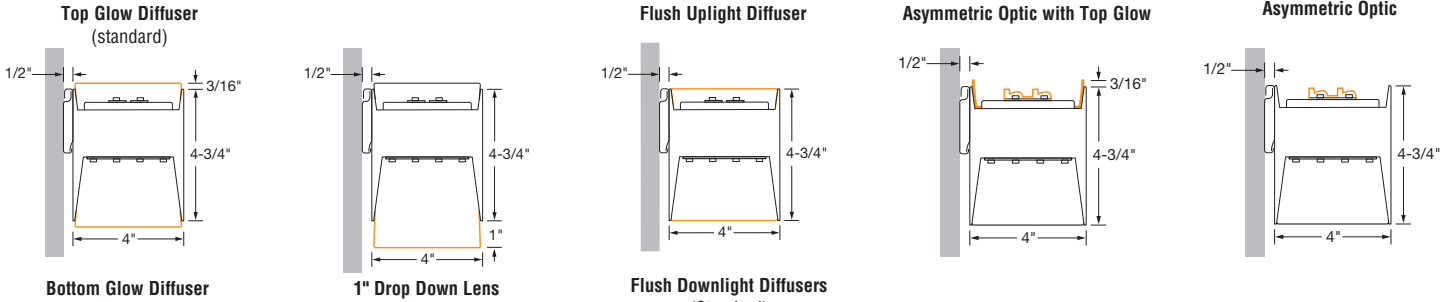
Hex Louver (TG/RG-LHC)

# FINELITE High Performance 4" Aperture (HP-4) - Wall Mount Indirect/Direct

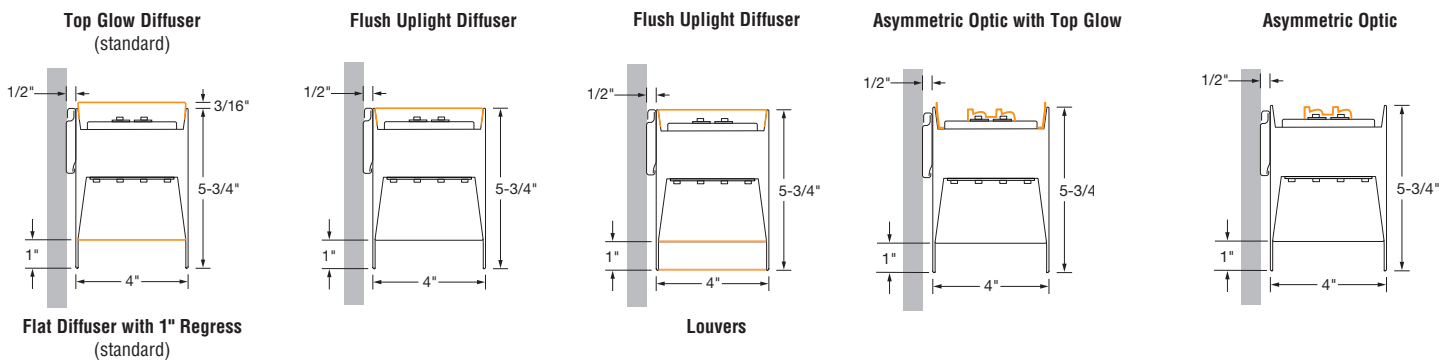
## OPTICAL SOLUTIONS AND AESTHETIC CHOICES

Offering ASY upright optical solution for maximized design effectiveness and diffusers available in Top Glow, Bottom Glow, 1" Drop Down Lens, Flush, Louvers, and Regressed for a desired aesthetic.

### HP-4 ID



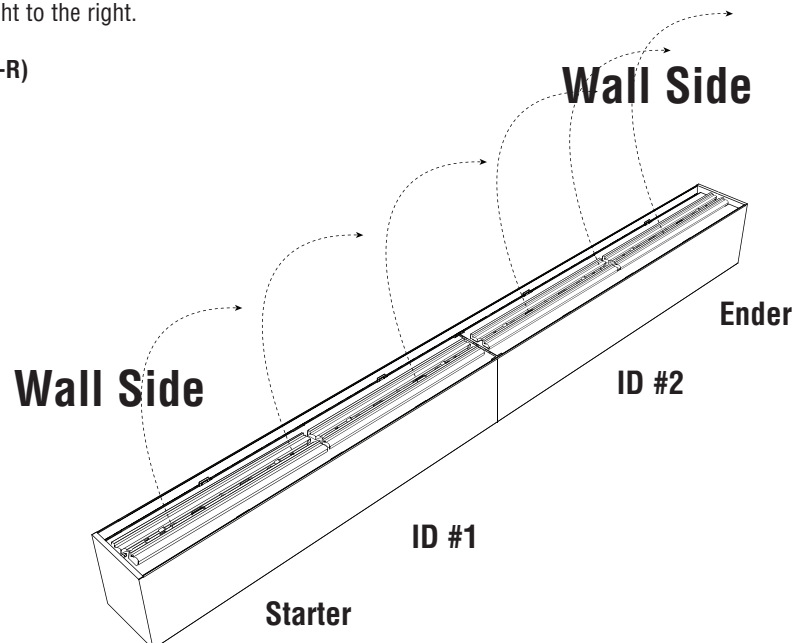
### HP-4 ID RG



## ASYMMETRIC

Use this tool to understand how to specify Asymmetric for your project. The diagram below shows a linear run from power feed to end. Specify ASY-R to distribute light to the right.

### Asymmetric Right Optic (ASY-R)



# FINELITE High Performance 4" Aperture (HP-4) - Wall Mount Indirect/Direct

## PHOTOMETRY

UPLIGHT: FLUSH DIFFUSER

DOWNLIGHT: FLUSH DIFFUSER

HP-4-ID-V-V-835-F

Very High Output/ Very High Output - 4" Luminaire

Distribution: 53% Up (V) / 47% Down (V)

Efficacy: 106 lumen per watt

Uplight: 4180 lumens (1045 lumens/foot)

Downlight: 3706 lumens (927 lumens/foot)

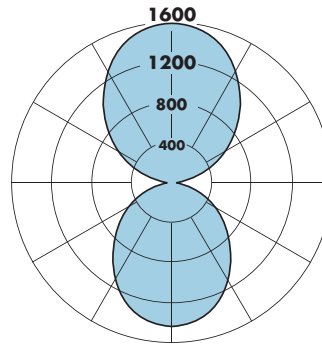
Total luminaire output: 7886 lumens (1972 lumens/foot)

74.1 watts (18.5 watts/foot)

CRI: 80

CCT: 3500K

ITL LM79 Report 85125



CANDLEPOWER SUMMARY						
	0.0	22.5	45	67.5	90	Flux
0	1443	1443	1443	1443	1443	
5	1433	1434	1434	1433	1434	136
15	1368	1360	1365	1363	1356	384
25	1239	1225	1228	1224	1216	564
35	1062	1050	1049	1040	1034	654
45	859	850	847	838	832	652
55	647	640	637	628	624	568
65	435	430	429	424	422	424
75	233	234	233	234	232	248
85	65	67	68	69	70	76
90	0	0	0	0	0	
95	71	72	76	81	82	86
105	257	261	266	270	269	281
115	485	483	485	490	486	482
125	723	726	726	720	717	646
135	963	958	961	958	951	739
145	1189	1177	1185	1179	1172	738
155	1377	1367	1374	1368	1363	631
165	1517	1510	1514	1511	1510	426
175	1590	1590	1590	1589	1590	151
180	1600	1600	1600	1600	1600	

↑ Indirect	↓ Direct
------------	----------

Total Light Output, 3500K, 80 CRI (Lumens) - 4' Luminaire				
	↑S*	↑B*	↑H*	↑V**
↓S*	3228 [153%   47%↓]	3668 [159%   41%↓]	4768 [168%   32%↓]	5697 [173%   27%↓]
↓B*	3618 [147%   53%↓]	4058 [153%   47%↓]	5158 [163%   37%↓]	6087 [169%   31%↓]
↓H*	4594 [137%   63%↓]	5034 [143%   57%↓]	6133 [153%   47%↓]	7062 [159%   41%↓]
↓V*	5417 [132%   68%↓]	5857 [137%   63%↓]	6957 [147%   53%↓]	7886 [153%   47%↓]

Lumen Adjustment Factors - 80 CRI	
3000K	0.985
3500K	1.000
4000K	1.032

Light Output, 3500K, 80 CRI (Lumens Per Foot)				
	↑S*	↑B*	↑H*	↑V**
↓S*	807	917	1192	1424
↓B*	905	1015	1290	1522
↓H*	1148	1258	1533	1766
↓V*	1354	1464	1739	1972

Lumen Adjustment Factors - 90 CRI	
3000K	0.746
3500K	0.760
4000K	0.789

Apply a lumen adjustment factor to calculate lumens for the desired CCT and CRI.

Power (Watts Per Foot)				
	↑S*	↑B*	↑H*	↑V**
↓S*	7.3	8.2	10.7	12.9
↓B*	8.2	9.2	11.7	13.9
↓H*	10.7	11.7	14.2	16.4
↓V*	12.9	13.9	16.4	18.5

**SAMPLE LUMEN ADJUSTMENT CALCULATION**  
 High Output (H) / Standard Output (S),  
 4000K, 90 CRI

$$\text{Lumen Adjustment Factor} = 0.789$$

$$\text{Total Light Output} = 4768 \text{ lm} \times 0.789 = 3762 \text{ lm}$$

$$\text{Total Light Output per Foot} = 1192 \text{ lm/ft} \times 0.789 = 940 \text{ lm/ft}$$

$$\text{watts/foot} = 10.7 \text{ W/ft}$$

$$\text{Efficacy} = \frac{940 \frac{\text{lm}}{\text{ft}}}{10.7 \frac{\text{W}}{\text{ft}}} = 88 \text{ lm/W}$$

Efficacy, 3500K, 80 CRI (Lumens Per Watt)				
	↑S*	↑B*	↑H*	↑V**
↓S*	111	111	111	110
↓B*	110	110	110	110
↓H*	107	107	108	108
↓V*	105	106	106	106

S - Standard Output, B - Boosted Standard Output, H - High Output, V - Very High Output

\* Family Correlation based on 4' luminaire 3500K Very High Output (V) test - 120V.

\*\* Based on ITL report: 85125

Protected by one or more US Patents: 8915613; D702,391; D702,390; D700,732

A brand of 

Finelite, Inc. • 30500 Whipple Road • Union City, CA 94587-1530 • (510) 441-1100 • Fax: (510) 441-1510 • www.finelite.com

# FINELITE High Performance 4" Aperture (HP-4) - Wall Mount Indirect/Direct

## PHOTOMETRY

**UPLIGHT:** FLUSH DIFFUSER

**DOWNLIGHT:** 1" DROP DOWN LENS

HP-4-ID-V-V-835-DL

Very High Output / Very High Output - 4' Luminaire

Distribution: 55% Up (V) / 45% Down (V)

Efficacy: 112 lumens per watt

Uplight: 4570 lumens (1143 lumens/foot)

Downlight: 3707 lumens (927 lumens/foot)

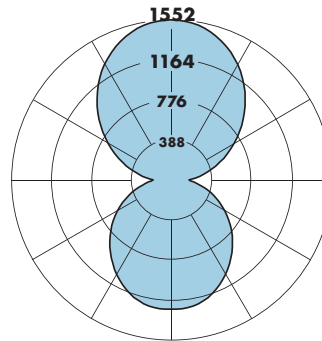
Total luminaire output: 8277 lumens (2069 lumens/foot)

74.1 watts (18.5 watts/foot)

CRI: 80

CCT: 3500K

ITL LM79 Report 85125



CANDELA DISTRIBUTION						
	0.0	22.5	45.0	67.5	90.0	Flux
0	1251	1251	1251	1251	1251	
5	1243	1244	1247	1249	1250	119
15	1187	1188	1204	1210	1210	338
25	1077	1082	1106	1116	1117	507
35	924	940	973	986	987	603
45	752	779	818	836	841	623
55	569	604	651	677	683	572
65	382	425	477	510	520	462
75	199	249	307	345	358	312
85	50	104	165	206	219	170
90	10	61	120	160	173	
95	84	134	190	227	239	101
105	270	311	363	397	407	281
115	492	520	564	598	602	482
125	718	745	780	797	807	646
135	946	968	997	1009	1013	739
145	1163	1163	1198	1205	1206	738
155	1344	1337	1358	1368	1365	631
165	1476	1468	1479	1482	1483	426
175	1542	1542	1543	1543	1542	151
180	1552	1552	1552	1552	1552	

↑ Indirect    ↓ Direct

Total Light Output, 3500K, 80 CRI (Lumens) - 4' Luminaire				
	↑S*	↑B*	↑H*	↑V**
↓S*	3388 [↑55%   45%↓]	3869 [↑61%   39%↓]	5072 [↑70%   30%↓]	6087 [↑75%   25%↓]
↓B*	3778 [↑50%   50%↓]	4260 [↑55%   45%↓]	5462 [↑65%   35%↓]	6478 [↑71%   29%↓]
↓H*	4754 [↑39%   61%↓]	5235 [↑45%   55%↓]	6438 [↑55%   45%↓]	7453 [↑61%   39%↓]
↓V*	5578 [↑34%   66%↓]	6059 [↑39%   61%↓]	7261 [↑49%   51%↓]	8277 [↑55%   45%↓]

Lumen Adjustment Factors - 80 CRI	
3000K	0.985
3500K	1.000
4000K	1.032

Light Output, 3500K, 80 CRI (Lumens Per Foot)				
	↑S*	↑B*	↑H*	↑V**
↓S*	847	967	1268	1522
↓B*	945	1065	1366	1619
↓H*	1188	1309	1609	1863
↓V*	1394	1515	1815	2069

Lumen Adjustment Factors - 90 CRI	
3000K	0.746
3500K	0.760
4000K	0.789

Apply a lumen adjustment factor to calculate lumens for the desired CCT and CRI.

Power, 3500K, 80 CRI (Watts Per Foot)				
	↑S*	↑B*	↑H*	↑V**
↓S*	7.3	8.2	10.7	12.9
↓B*	8.2	9.2	11.7	13.9
↓H*	10.7	11.7	14.2	16.4
↓V*	12.9	13.9	16.4	18.5

**SAMPLE LUMEN ADJUSTMENT CALCULATION**  
 High Output (H) / Standard Output (S),  
 4000K, 90 CRI

$$\text{Lumen Adjustment Factor} = 0.789$$

$$\text{Total Light Output} = 5072 \text{ lm} \times 0.789 = 4002 \text{ lm}$$

$$\text{Total Light Output per Foot} = 1268 \text{ lm/ft} \times 0.789 = 1000 \text{ lm/ft}$$

$$\text{watts/foot} = 10.7 \text{ W/ft}$$

$$\text{Efficacy} = \frac{1000 \frac{\text{lm}}{\text{ft}}}{10.7 \frac{\text{W}}{\text{ft}}} = 93 \text{ lm/W}$$

Efficacy, 3500K, 80 CRI (Lumens Per Watt)				
	↑S*	↑B*	↑H*	↑V**
↓S*	117	117	118	118
↓B*	115	116	117	117
↓H*	111	112	113	114
↓V*	108	109	111	112

**S - Standard Output, B - Boosted Standard Output, H - High Output, V - Very High Output**

\* Family Correlation based on 4' luminaire 3500K Very High Output (V) test - 120V

\*\* Based on ITL report: 85125

Protected by one or more US Patents: 8915613; D702,391; D702,390; D700,732

A brand of 

Finelite, Inc. • 30500 Whipple Road • Union City, CA 94587-1530 • (510) 441-1100 • Fax: (510) 441-1510 • www.finelite.com



# FINELITE High Performance 4" Aperture (HP-4) - Wall Mount Indirect/Direct

## PHOTOMETRY

**UPLIGHT:** FLUSH DIFFUSER

**DOWNLIGHT:** REGRESSED DIFFUSER

HP-4-RG-V-V-835-F

Very High Output / Very High Output - 4' Luminaire

Distribution: 56% Up (V) / 44% Down (V)

Efficacy: 108 lumens per watt

Uplight: 4406 lumens (1102 lumens/foot)

Downlight: 3531 lumens (883 lumens/foot)

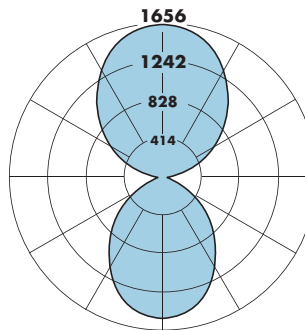
Total luminaire output: 7937 lumens (1984 lumens/foot)

73.2 watts (18.3 watts/foot)

CRI: 80

CCT: 3500K

ITL LM79 Report 90353



CANDELA DISTRIBUTION						
	0.0	22.5	45.0	67.5	90.0	Flux
0	1507	1507	1507	1507	1507	
5	1497	1496	1496	1497	1498	142
15	1429	1419	1418	1410	1400	398
25	1293	1276	1259	1237	1227	579
35	1109	1087	1053	1020	1003	659
45	902	871	824	780	764	638
55	682	645	588	541	525	532
65	457	418	358	313	299	364
75	244	203	151	120	115	178
85	60	36	33	32	31	43
90	0	0	0	0	0	
95	75	78	81	84	85	91
105	276	281	287	293	293	303
115	514	516	523	528	526	516
125	65	764	768	772	774	687
135	1010	1003	1011	1016	1016	779
145	1241	1227	1240	1239	1237	773
155	1434	1421	1433	1431	1426	658
165	1574	1566	1571	1568	1565	442
175	1646	1646	1646	1645	1645	156
180	1656	1656	1656	1656	1656	

↑ Indirect    ↓ Direct

Total Light Output, 3500K, 80 CRI (Lumens) - 4' Luminaire				
	↑S*	↑B*	↑H*	↑V**
↓S*	3249 [↑55%   45%↓]	3713 [↑61%   39%↓]	4872 [↑70%   30%↓]	5851 [↑75%   25%↓]
↓B*	3621 [↑50%   50%↓]	4085 [↑55%   45%↓]	5244 [↑66%   35%↓]	6223 [↑70%   30%↓]
↓H*	4550 [↑40%   60%↓]	5014 [↑45%   55%↓]	6173 [↑56%   44%↓]	7152 [↑62%   38%↓]
↓V*	5335 [↑34%   66%↓]	5798 [↑39%   61%↓]	6953 [↑49%   51%↓]	7937 [↑56%   44%↓]

Lumen Adjustment Factors - 80 CRI	
3000K	0.985
3500K	1.000
4000K	1.032

Light Output, 3500K, 80 CRI (Lumens Per Foot)				
	↑S*	↑B*	↑H*	↑V**
↓S*	812	928	1218	1463
↓B*	905	1021	1311	1556
↓H*	1137	1253	1543	1788
↓V*	1334	1450	1739	1984

Lumen Adjustment Factors - 90 CRI	
3000K	0.746
3500K	0.760
4000K	0.789

Apply a lumen adjustment factor to calculate lumens for the desired CCT and CRI.

Power, 3500K, 80 CRI (Watts Per Foot)				
	↑S*	↑B*	↑H*	↑V**
↓S*	7.2	8.1	10.6	12.7
↓B*	8.1	9.1	11.6	13.7
↓H*	10.6	11.6	14.0	16.2
↓V*	12.7	13.7	16.2	18.3

**SAMPLE LUMEN ADJUSTMENT CALCULATION**  
 High Output (H) / Standard Output (S),  
 4000K, 90 CRI

Lumen Adjustment Factor = 0.789

Total Light Output =  
 4872 lm x 0.789 = 3844 lm

Total Light Output per Foot =  
 1218 lm/ft x 0.789 = 961 lm/ft

watts/foot = 10.6 W/ft

$$\text{Efficacy} = \frac{961 \frac{\text{lm}}{\text{ft}}}{10.6 \frac{\text{W}}{\text{ft}}} = 91 \text{ lm/W}$$

Efficacy, 3500K, 80 CRI (Lumens Per Watt)				
	↑S*	↑B*	↑H*	↑V**
↓S*	113	114	115	115
↓B*	111	112	113	114
↓H*	107	108	110	111
↓V*	105	106	108	108

**S - Standard Output, B - Boosted Standard Output, H - High Output, V - Very High Output**

\* Family Correlation based on 4' Luminaire 3500K Very High Output (V) test - 120V

\*\* Based on ITL report: 90353

Protected by one or more US Patents: 8915613; D702,391; D702,390; D700,732

A brand of 

Finelite, Inc. • 30500 Whipple Road • Union City, CA 94587-1530 • (510) 441-1100 • Fax: (510) 441-1510 • www.finelite.com

# FINELITE High Performance 4" Aperture (HP-4) - Wall Mount Indirect/Direct

## PHOTOMETRY

**UPLIGHT:** ASYMMETRIC OPTIC  
**DOWNLIGHT:** FLUSH DIFFUSER

HP-4-ID-V-V-8350F-ASYM

Very High Output / Very High Output - 4' Luminaire

Distribution: 54% Up (V) / 46% Down (V)

Efficacy: 111 lumens per watt

Uplight: 4436 lumens (1109 lumens/foot)

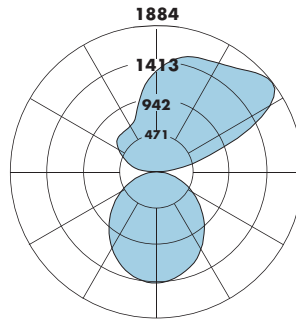
Downlight: 3766 lumens (942 lumens/foot)

Total Luminaire Output: 8202 lumens (2051 lumens/foot)  
 73.8 watts (18.5 watts/foot)

CRI: 80

CCT: 3500K

ITL LM79 Report 89988



CANDELA DISTRIBUTION					
	0.0	45.0	90.0	135.0	180.0 Flux
0	1434	1434	1434	1434	1434
5	1427	1427	1426	1425	1426
15	1361	1363	1363	1360	1358
25	1230	1235	1235	1234	1227
35	1054	1063	1063	1060	1050
45	860	866	867	864	856
55	648	654	657	654	647
65	439	444	444	442	437
75	245	244	243	240	238
85	68	67	67	66	66
90	0	0	0	0	0
95	142	146	57	141	175
105	582	647	207	294	355
115	1335	1134	369	414	493
125	1861	1288	545	504	620
135	1803	1318	724	574	667
145	1657	1367	909	644	668
155	1581	1432	1084	783	706
165	1537	1446	1220	1009	910
175	1401	1366	1293	1225	1196
180	1302	1302	1302	1302	1302

↑ Indirect	↓ Direct
------------	----------

Total Light Output, 3500K, 80 CRI (Lumens) - 4' Luminaire				
	↑S*	↑B*	↑H*	↑V**
↓S*	3358 [↑54%   46%↓]	3824 [↑60%   40%↓]	4992 [↑69%   31%↓]	5978 [↑74%   26%↓]
↓B*	3754 [↑48%   52%↓]	4221 [↑54%   46%↓]	5388 [↑64%   36%↓]	6374 [↑70%   30%↓]
↓H*	4745 [↑38%   62%↓]	5212 [↑44%   56%↓]	6379 [↑54%   46%↓]	7365 [↑60%   40%↓]
↓V*	5582 [↑33%   67%↓]	6049 [↑38%   62%↓]	7216 [↑48%   52%↓]	8202 [↑54%   46%↓]

Light Output, 3500K, 80 CRI (Lumens Per Foot)				
	↑S*	↑B*	↑H*	↑V**
↓S*	839	956	1248	1494
↓B*	938	1055	1347	1594
↓H*	1186	1303	1595	1841
↓V*	1395	1512	1804	2051

Power, 3500K, 80 CRI (Watts Per Foot)				
	↑S*	↑B*	↑H*	↑V**
↓S*	7.2	8.2	10.7	12.8
↓B*	8.2	9.2	11.7	13.8
↓H*	10.7	11.7	14.2	16.3
↓V*	12.8	13.8	16.3	18.5

Efficacy, 3500K, 80 CRI (Lumens Per Watt)				
	↑S*	↑B*	↑H*	↑V**
↓S*	116	117	117	116
↓B*	114	115	115	115
↓H*	111	112	113	113
↓V*	109	109	111	111

S - Standard Output, B - Boosted Standard Output, H - High Output, V - Very High Output

\* Family Correlation based on 4' luminaire 3500K Very High Output (V) test - 120V.

\*\* Based on ITL report: 89988

Lumen Adjustment Factors - 80 CRI	
3000K	0.985
3500K	1.000
4000K	1.032

Lumen Adjustment Factors - 90 CRI	
3000K	0.746
3500K	0.760
4000K	0.789

Apply a lumen adjustment factor to calculate lumens for the desired CCT and CRI.

### SAMPLE LUMEN ADJUSTMENT CALCULATION

High Output (H) / Standard Output (S),  
 4000K, 90 CRI

Lumen Adjustment Factor = 0.789

Total Light Output =  
 4992 lm x 0.789 = 3939 lm

Total Light Output per Foot =  
 1248 lm/ft x 0.789 = 985 lm/ft

watts/foot = 10.7 W/ft

$$\text{Efficacy} = \frac{985 \frac{\text{lm}}{\text{ft}}}{10.7 \frac{\text{W}}{\text{ft}}} = 92 \text{ lm/W}$$

# FINELITE High Performance 4" Aperture (HP-4) - Wall Mount Indirect/Direct

## PHOTOMETRY

**UPLIGHT:** FLUSH DIFFUSER

**DOWNLIGHT:** WHITE CROSS BLADE BAFFLE

HP-4-ID-RG-V-V-835-TG-RG-WCB

Very High Output / Very High Output - 4' Luminaire

Distribution: 58% Up (V) / 42% Down (V)

Efficacy: 97 lumens per watt

Uplight: 4180 lumens (1045 lumens/foot)

Downlight: 3001 lumens (750 lumens/foot)

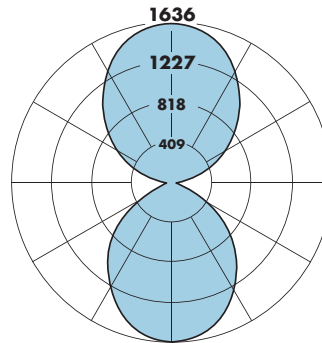
Total luminaire output: 7181 lumens (1795 lumens/foot)

74.1 watts (18.5 watts/foot)

CRI: 80

CCT: 3500K

ITL LM79 Report 90672



CANDELA DISTRIBUTION						
	0.0	22.5	45.0	67.5	90.0	Flux
0	1636	1636	1636	1636	1636	
5	1597	1601	1611	1623	1627	152
15	1385	1397	1449	1505	1533	408
25	1102	1121	1193	1286	1347	554
35	796	822	911	1028	1116	580
45	491	526	632	765	868	504
55	332	339	380	514	611	383
65	210	214	232	290	356	253
75	111	112	118	131	150	131
85	30	30	30	31	34	35
90	0	0	0	0	0	
95	71	72	76	81	82	86
105	257	261	266	270	269	281
115	485	483	485	490	486	482
125	723	726	726	720	717	646
135	963	958	961	958	951	739
145	1189	1177	1185	1179	1172	738
155	1377	1367	1374	1368	1363	631
165	1517	1510	1514	1511	1510	426
175	1590	1590	1590	1589	1590	151
180	1600	1600	1600	1600	1600	

↑ Indirect      ↓ Direct

Total Light Output, 3500K, 80 CRI (Lumens) - 4' Luminaire				
	↑S*	↑B*	↑H*	↑V**
↓S*	2940 [↑58%   ↓42%↓]	3380 [↑64%   ↓36%↓]	4480 [↑73%   ↓27%↓]	5408 [↑77%   ↓23%↓]
↓B*	3255 [↑53%   ↓47%↓]	3695 [↑58%   ↓42%↓]	4795 [↑65%   ↓35%↓]	5724 [↑73%   ↓27%↓]
↓H*	4045 [↑42%   ↓58%↓]	4485 [↑48%   ↓52%↓]	5585 [↑58%   ↓42%↓]	6514 [↑64%   ↓36%↓]
↓V*	4712 [↑36%   ↓64%↓]	5152 [↑42%   ↓58%↓]	6252 [↑52%   ↓48%↓]	7181 [↑58%   ↓42%↓]

Lumen Adjustment Factors - 80 CRI	
3000K	0.985
3500K	1.000
4000K	1.032

Light Output, 3500K, 80 CRI (Lumens Per Foot)				
	↑S*	↑B*	↑H*	↑V**
↓S*	735	845	1120	1352
↓B*	814	924	1199	1431
↓H*	1011	1121	1396	1629
↓V*	1178	1288	1563	1795

Lumen Adjustment Factors - 90 CRI	
3000K	0.746
3500K	0.760
4000K	0.789

Apply a lumen adjustment factor to calculate lumens for the desired CCT and CRI.

Power, 3500K, 80 CRI (Watts Per Foot)				
	↑S*	↑B*	↑H*	↑V**
↓S*	7.3	8.2	10.7	12.9
↓B*	8.2	9.2	11.7	13.9
↓H*	10.7	11.7	14.2	16.4
↓V*	12.9	13.9	16.4	18.5

**SAMPLE LUMEN ADJUSTMENT CALCULATION**  
 High Output (H) / Standard Output (S),  
 4000K, 90 CRI

$$\text{Lumen Adjustment Factor} = 0.789$$

$$\text{Total Light Output} = 4480 \text{ lm} \times 0.789 = 3535 \text{ lm}$$

$$\text{Total Light Output per Foot} = 1120 \text{ lm/ft} \times 0.789 = 884 \text{ lm/ft}$$

$$\text{watts/foot} = 10.7 \text{ W/ft}$$

$$\text{Efficacy} = \frac{884 \frac{\text{lm}}{\text{ft}}}{10.7 \frac{\text{W}}{\text{ft}}} = 83 \text{ lm/W}$$

Efficacy, 3500K, 80 CRI (Lumens Per Watt)				
	↑S*	↑B*	↑H*	↑V**
↓S*	101	103	104	105
↓B*	99	100	102	103
↓H*	94	96	98	99
↓V*	91	93	95	97

**S - Standard Output, B - Boosted Standard Output, H - High Output, V - Very High Output**

\* Family Correlation based on 4' luminaire 3500K Very High Output (V) test - 120V

\*\* Based on ITL report: 90672

Protected by one or more US Patents: 8915613; D702,391; D702,390; D700,732

A brand of 

Finelite, Inc. • 30500 Whipple Road • Union City, CA 94587-1530 • (510) 441-1100 • Fax: (510) 441-1510 • www.finelite.com



# FINELITE High Performance 4" Aperture (HP-4) - Wall Mount Indirect/Direct

## SPECIFICATIONS

**CONSTRUCTION:** Precision-cut 6061-T6 extruded aluminum body. Internal joiner system, plug-together wiring, standard.

**ENDCAPS:** Flat endcaps at each end of run add 1/4" to overall length. Drop Down Lens Illuminated Endcap (DE) includes diffuse element to continue luminance of drop lens. It is made of the same material as the drop diffuser. Open Endcap (OE) is for use with the Hollowed Ellipse Louver (LHE); following the curve of the louver.

**MITERED CORNERS<sup>1</sup>:** Illuminated 90° corners in a single plane, available with Top Glow™, Flush uplight diffuser, and/or Flush downlight diffuser, Bottom Glow Diffuser, 1" Drop Down Lens, Regressed Diffuser, or White Cross Blade Baffle. Contact factory for custom angles. 90 degree corners not available with Hollowed Ellipse Louver (LHE) or Hex Louver (LHC).

**REFLECTORS:** Die-formed 20-gauge cold-rolled steel reflectors are finished in 96 LG high reflectance matte white powder coat paint.

**UPLIGHT OPTION:** Patented Top Glow frost white diffuser standard. 12 ft. maximum diffuser length. 73% transmissive, 99% diffusion. Internal secondary diffusers at corners ensure visually seamless, uniform, continuous illumination. Optional: Flush frost white snap-in diffuser, 73% transmissive, 99% diffusion; Asymmetric optic directs light in a specific direction. **ASY-R** distributed light to the right of the luminaire. See page 3.

**DOWNLIGHT OPTION:** 12' maximum diffuser length. Flush frost white snap-in diffuser standard, 73% transmissive, 99% diffusion. Internal secondary diffusers at corners ensure visually seamless, uniform, continuous illumination. Available with Flush (F), Bottom Glow (BG), 1" Drop Down Lens (DL), White Cross Blade Baffle (WCB), Hollowed Ellipse Louver (LHE), Hex Louver (LHC), and Regressed downlight diffusers (RG). 1" Drop Down Lens made of highly efficient acrylic. Available with a solid endcap or an endcap with a diffuse filler to continue the luminous aesthetic.

**LIGHT OUTPUT:** Four lumen packages available, Standard Output (S), Boosted Standard Output (B), High Output (H), and Very High Output (V). A separate chart summarizes lumen distribution and wattage. Light engines are replaceable.

**LUMEN MAINTENANCE:** 90% of initial light output (L90) at 100,000+ hours; 70% of initial light output (L70) at 200,000+ hours.

**DRIVER:** Replaceable 120V/277V and 347V Constant Current Reduction dimming driver standard. Can be wired dimming or non-dimming. 0-10V dimming controls with a range of 10%-100%. Dimming to 1% available; consult factory. Separate dimming for uplight and downlight available. Driver is fully accessible from below the ceiling. Power Factor: ≥ 0.9. Total Harmonic Distortion (THD) <20%. Expected driver lifetime: 100,000 hours. Dali driver also available; Contact factory.

**LUTRON DRIVER OPTIONS:** LUTES1 (Hi-lume 1% EcoSystem with Soft-On, Fade to Black dimming (LDE1 series)); LUTES5 (5-Series 5% EcoSystem (LDE5 Series)), LUT2W (Hi-lume 1% 2-wire, 120V forward phase dimming (LTEA series)); Contact factory for availability of discontinued Lutron drivers, L3DA-3-wire and L3DA EcoSystem

**ELECTRICAL:** Optional emergency to generator/inverter wiring, internal generator transfer switch, nightlight wiring, step-dimming driver, backup battery. Factory-choice low-profile backup battery available. 8' minimum fixture length for low profile battery pack. Bodine BSL722 battery pack also available; 4' minimum fixture length. Backup batteries deliver 1854 lumens. Half of a 4' section (downlight only) will be illuminated in emergency mode.

**INTEGRATED SENSORS:** Integrated PIR (Passive Infrared) occupancy or daylight sensors available with Flush, Bottom Glow, White Cross Blade Baffle, and Regressed downlight diffusers. Refer to Occupancy Sensor and Daylight Sensor tech sheets for more info.

**MOUNTING:** Fixture hangs securely from mounting brackets fastened directly to the wall for easy installation. Fixture stands 0.5" off the wall. The mounting bracket is concealed behind the fixture.

**FINISHES:** Finelite Signal White powder coat standard. Optional Adders: 185 RAL colors.

**FEED:** Standard with one 18-gauge/5-conductor single-circuit feed controlling uplight and downlight together (power and dimming). Specify dual feeds for independent control of uplight and downlight. 14-gauge feed used when fixture current exceeds 5 amps.

**LENGTHS:** Any length, 2-foot minimum, in increments down to 1/16th-inch (± 1/32"). 12-foot maximum section length. Hollowed Ellipse Louver (LHE), Hex Louver (LHC), and White Cross Blade Baffle (WCB) are available in 1' increments.

**LABELS:** Fixture and electrical components are ETL-listed conforming to UL 1598 in the U.S.A. and CAN/CSA C22.2 No. 250.0 in Canada. In accordance with NEC Code 410.130 (G), this luminaire contains an internal driver disconnect. Damp Location. Finelite products use electronic components that are RoHS compliant, and the mechanical components of the luminaire have been verified to not knowingly contain any restricted substances listed per RoHS Directive 2011/65/EU.

**WEIGHT:** 3.4 lb/ft.

**DLC QUALIFIED:** Configurations of this product are listed on the DLC Qualified Products List (QPL). Contact factory for Regressed luminaire qualification. [www.designlights.org/search](http://www.designlights.org/search)

**WARRANTY:** 10-year performance-based warranty on all standard components. Optional accessories such as emergency battery packs are covered by their individual manufacturer warranties.

<sup>1</sup> White Cross Blade Baffle (WCB) is not available with custom angles. Available in 90 degrees only