

CATALOG #: _____

TYPE: _____

PROJECT: _____

NEW CONSTRUCTION AND REMODEL

FEATURES

TrimLock®

- Innovative TrimLock reflector retention system ensures trim remains flush with ceiling plane
- Industry-leading efficacies as high as 113 lm/W – ENERGY STAR® certified
- Available on QuickShip

SPECIFICATIONS

- HOUSING** – Die-cast aluminum trim housing with forged aluminum heat sink. Galvanized steel splice compartment with driver mounting plate/enclosure. Swing-out mounting arms field adjust for ceiling thickness from 1/2" – 2-1/4".
- TRIMLOCK** – Innovative TrimLock reflector retention system ensures the trim remains flush with the ceiling plane.
- OPEN REFLECTOR** – Low-iridescent anodized aluminum. Clear semi-specular finish standard.
- LENSED TRIM** – Die-cast aluminum frame with micro-prismatic, tempered glass lens.
- ELECTRICAL** – High-performance Class 2 C.O.B. LED array. Modular quick-connect plug for easy field-connection of LED light assembly to driver. Reported L70>55,000 hours. Reported L90>55,000 hours. Estimated L70 = 200,000 hours.
- MOUNTING** – Recessed. 20 ga. galvanized steel mounting pan for new construction or IC-rated enclosure. Remodel kit option includes receiver bracket hardware. Minimum 24" O.C. marked spacing required for L50 and L60 lumen packages.
- LISTINGS** –
 - cCSAus conforms to UL STD 1598; Certified to CAN/CSA STD C22.2 No. 250.0 for damp locations. LED light assembly conforms to UL 2108 for remote installation.
 - Suitable for wet location under covered ceiling when specified with WET/CC or TD options.
 - ENERGY STAR® certified in select configurations, see www.energystar.gov
 - IC-rated for direct contact with insulation when specified with I Mounting Type.
 - City of Chicago Environmental Air approved when specified with CP option.
 - Complies with ASTM-E283 when specified with ATH option.
 - RoHS compliant.
 - Title 24 (JA8) compliant in select configurations, see www.cacertappliance.energy.ca.gov.
- WARRANTY** – 5-year limited warranty, see hew.com/warranty.

ORDERING EXAMPLE: 4DR - TL - L20/835 - OPTIONS - DIM - UNV - OW - OF - CS - TRIM OPTIONS - N - F1

HOUSING

SERIES	LUMENS ^[1]	CRI	CCT	OPTIONS	CONTROL ^[2]	VOLTAGE
4DR - TL	L10 1,000lm ^[3]	8 80	27 2700K	SCA_ Sloped ceiling adapter ^[5]	DIM Dimming driver, 0-10V	UNV 120-277V
TrimLock	L15 1,500lm	9 90 ^[4]	30 3000K	ATH Airtight construction	DIM1 1% Dimming driver, 0-10V	347 347V ^[6]
	L20 2,000lm		35 3500K	F Fuse		
	L30 3,000lm		40 4000K	EM/7W 7-watt emergency battery ^[7]		
	L40 4,000lm		50 5000K	EM/10W 10-watt emergency battery ^[8]		
	L50 5,000lm			EM/10W/RTS 10-watt emergency battery with regressed test switch ^[9]		
	L60 6,000lm			CP Chicago plenum (CCEA) ^[10]		
				SDT Stepdown transformer ^[11]		

TRIM^[12]

TRIM TYPE	DISTRIBUTION ^[13]	FLANGE TYPE	REFLECTOR FINISH	TRIM OPTIONS
O Open reflector	W Wide	OF 1/2" standard flange	Open trim types	MWT Textured white trim flange ^[20]
L Flush lens	65° Open	SF 1/4" mud-in flange ^[19]	CS Clear semi-specular anodize	IP IP65 rated trim ^[21]
R Regressed lens	50° Flush		SG Satin-glow anodize	AD Diffuse acrylic lens ^[22]
A Angled lens ^[14]	50° Regressed		GD Gold anodize	PD Diffuse 1/8" polycarbonate lens ^[23]
S Non-conductive flush lens for shower applications ^[15]	M Medium ^[16]		CG Champagne gold anodize	TD Diffuse polycarbonate lens media at top of open reflector ^[24]
	45° Open		PW Pewter anodize	
	35° Flush		SPC Clear specular anodize	
	30° Regressed		RG Rose gold anodize	
	N Narrow ^[17]		WH White texture powder coat	WET/CC Wet location, covered ceiling listed ^[25]
	10° Open		BL Black texture powder coat	AM Anti-microbial ^[26]
	25° Flush			
	25° Regressed		Lens trim types	
	WW Wall wash ^[18]		CS Clear semi-specular powder coat	
			WH White texture powder coat	
			BL Black texture powder coat	
			MB Black texture splay with white flange ^[27]	

MOUNTING

MOUNTING TYPE^[28]

- N Open pan for new construction
- I IC-rated enclosure for new construction^[30]
- R Remodel kit^[31]

MOUNTING HARDWARE^[29]

- F1 Integral 2-position fixed pan bracket, universal bar hanger included^[32]
- BA1 Adjustable butterfly pan bracket, bar hanger not included^[33]
- CA1 Adjustable caterpillar pan bracket, universal bar hanger included^[34]

NOTES

- Lumen output based on O trim type, W distribution and CS finish, 3500K/80CRI. Actual lumens may vary +/-5%, see page 2 for FIXTURE PERFORMANCE DATA
- See page 4 for ADDITIONAL CONTROL OPTIONS.
- Not available with EM/10W emergency batteries.
- Extended lead times may apply. Consult factory for availability.
- 9" aperture, specify degrees of slope in 5° increments, 05°-30°. See page 4 for SLOPED CEILING ADAPTOR DETAILS. Not available with ATH option. N Mounting Type only. Not available with WET/CC.
- Not available with EM batteries or DMX controls.
- N and R Mounting Types only.
- N and R Mounting Types only.
- Not available with WET/CC, ATH or IP options. N and R Mounting Types only. See page 5 for EM/10W/RTS DETAILS.
- I Mounting Type required.
- May be required for 347V, see product builder at hew.com/product-builder
- Trim ships separately.
- Beam angle based on CS or WH reflector finish.
- Available with WW Distribution only.
- W Distribution, OF Flange Type, WH Reflector Finish only. Standard with AD diffuse acrylic lens. IP and WET/CC options standard.
- Not available with lumen stops L50 and higher when specified with flush or regressed trim types.
- Not available with lumen stops L50 and higher when specified with flush or regressed trim types.
- O and A Trim Types only.
- For use with mud-in plaster construction only, supplied with mud flange installation kit. See page 5 for FLANGE TYPE DETAILS. Not available with ATH or IP options.
- Not available with WH Reflector Finish, L or S Trim Types.
- L and R Trim Types only.
- Not available with O trim type. W distribution only.
- Not available with O trim type. W distribution only.
- O Trim Type only. WET/CC standard. L50 lumen package max.
- L50 lumen package max with O Trim Type.
- WH and BL Reflector Finishes only. Not available with S Trim Type.
- R Trim Type only. Not available with MWT.
- Mounting hardware required (N and I only), ordered separately, see MOUNTING HARDWARE ordering info. See page 5 for MOUNTING TYPE DETAILS.
- Additional mounting hardware options available. See page 6 for MOUNTING HARDWARE DETAILS.
- L20 lumen package max. L30 available, wide distribution only for lensed trims.
- Also used in new construction sheetrock ceilings.
- N and I Mounting Types only. I Mounting requires external brackets.
- N Mounting Type only
- N Mounting Type only



Available with BIOS® consult factory

4DR LED 4.5" Downlight – Round

FIXTURE PERFORMANCE DATA

OPEN REFLECTOR TRIM TYPE

	DIST.	DELIVERED LUMENS	WATTAGE	EFFICACY (lm/W)
L10	W	1027	9.0	113.6
	M	999	9.0	110.5
	N	1000	9.0	110.6
L15	W	1466	13.9	105.8
	M	1471	13.9	106.2
	N	1473	13.9	106.3
L20	W	2005	19.8	101.0
	M	2002	19.8	101.0
	N	2004	19.8	101.1
L30	W	2985	27.8	107.3
	M	2900	27.8	104.2
	N	2734	27.8	98.3
L40	W	3979	38.0	104.7
	M	3865	38.0	101.7
	N	3644	38.0	95.9
L50	W	5124	45.2	113.4
	M	4956	45.2	109.6
	N	4818	45.1	106.8
L60	W	6157	58.6	105.0
	M	5955	58.6	101.6
	N	5789	58.6	98.8

FLUSH LENS TRIM TYPE

	DIST.	DELIVERED LUMENS	WATTAGE	EFFICACY (lm/W)
L10	W	674	9.0	74.6
	M	895	9.0	99.0
	N	914	9.0	101.2
L15	W	994	13.9	71.7
	M	1319	13.9	95.1
	N	1347	13.9	97.2
L20	W	1352	19.8	68.3
	M	1794	19.8	90.6
	N	1833	19.8	92.6
L30	W	2022	27.8	72.7
	M	2683	27.8	96.5
	N	2741	27.8	98.6
L40	W	2695	38.0	70.9
	M	3577	38.0	94.1
	N	3654	38.0	96.2
L50	W	3364	45.2	74.4
	M	-	-	-
	N	-	-	-
L60	W	4042	58.6	69.0
	M	-	-	-
	N	-	-	-

REGRESSED LENS TRIM TYPE

	DIST.	DELIVERED LUMENS	WATTAGE	EFFICACY (lm/W)
L10	W	660	9.0	73.0
	M	895	9.0	99.1
	N	882	9.0	97.7
L15	W	972	13.9	70.2
	M	1319	13.9	95.2
	N	1300	13.9	93.8
L20	W	1323	19.8	66.2
	M	1795	19.8	90.8
	N	1769	19.8	88.5
L30	W	1979	27.8	71.1
	M	2685	27.8	96.5
	N	2646	27.8	95.1
L40	W	2638	38.0	69.4
	M	3579	38.0	94.2
	N	3527	38.0	92.8
L50	W	3292	45.2	72.8
	M	-	-	-
	N	-	-	-
L60	W	3955	58.6	67.5
	M	-	-	-
	N	-	-	-

MULTIPLIER TABLES

	COLOR TEMPERATURE	
	CCT	CONVERSION FACTOR
80 CRI	2700K	0.92
	3000K	0.98
	3500K	1.00
	4000K	1.01
	5000K	1.02
90 CRI	2700K	0.76
	3000K	0.79
	3500K	0.82
	4000K	0.84
	5000K	0.88

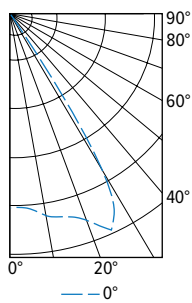
	REFLECTOR FINISH	
	CATALOG NUMBER	CONVERSION FACTOR
O TRIM	CS	1.00
	SG ¹	0.92
	GD	0.93
	CG	0.96
	PW	0.86
	SPC	1.02
	RG	0.88
	WH ¹	0.89
BL ¹	0.47	
R TRIM	WH	1.00
	CS	0.98
	BL	0.79

	TRIM	
	CATALOG NUMBER	CONVERSION FACTOR
S	0.85	
AD	0.85	
PD	0.85	
TD	0.75	
WET/CC ²	0.85	

- Distribution will also be affected, consult factory.
 - Use multiplier when specified with O Trim Type.
- Photometrics tested in accordance with IESNA LM-79. Results shown are based on 25°C ambient temperature.
 - Wattage shown is based on 120V input.
 - Results based on 3500K, 80 CRI, actual lumens may vary +/-5%
 - Use multiplier tables to calculate additional options.

PHOTOMETRY

4DR-TL-L20/835-DIM-UNV-OW-OF-CS Report #: 20685; 12/13/18 | Total Luminaire Output: 2005 lumens; 19.8 Watts | Efficacy: 101.0 lm/W | 83.1 CRI; 3472K CCT



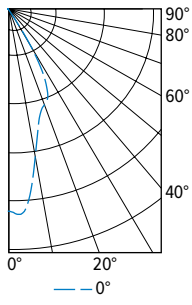
CANDLEPOWER DISTRIBUTION	VERTICAL ANGLE	HORIZONTAL ANGLE	ZONAL LUMENS
		0°	
	0	1810	
	5	1864	178
	15	1960	556
	25	2231	1033
	35	307	193
	45	44	35
	55	11	10
	65	1	1
	75	0	0
	85	0	0
	90	0	0

LUMEN SUMMARY	ZONE	LUMENS	% FIXTURE
	0 - 40	1959	98
	0 - 60	2004	100
	0 - 90	2005	100
	0-180	2005	100



4DR LED 4.5" Downlight – Round

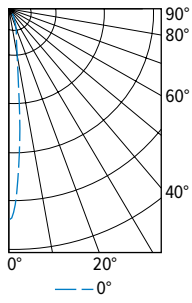
4DR-TL-L20/835-DIM-UNV-OM-OF-CS Report #: 12316380.04; 06/04/18 | Total Luminaire Output: 2002 lumens; 19.8 Watts | Efficacy: 101.0 lm/W | 82.8 CRI; 3600K CCT



CANDLEPOWER DISTRIBUTION	VERTICAL ANGLE	HORIZONTAL ANGLE	ZONAL LUMENS
		0°	
	0	4051	
	5	4009	249
	15	2312	353
	25	1790	365
	35	157	29
	45	36	11
	55	8	3
	65	2	1
	75	1	0
	85	0	0
	90	0	0

LUMEN SUMMARY	ZONE	LUMENS	% FIXTURE
	0-40	1962	98
	0-60	1999	100
	0-90	2002	100
	0-180	2002	100

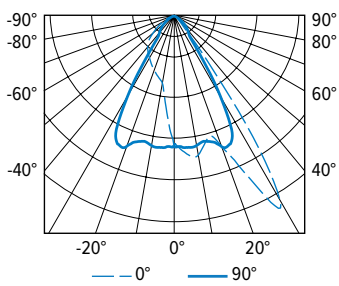
4DR-TL-L20/835-DIM-UNV-ON-OF-CS Report #: 12316380.05; 06/07/18 | Total Luminaire Output: 2004 lumens; 19.8 Watts | Efficacy: 101.1 lm/W | 82.8 CRI; 3587K CCT



CANDLEPOWER DISTRIBUTION	VERTICAL ANGLE	HORIZONTAL ANGLE	ZONAL LUMENS
		0°	
	0	21310	
	5	10690	415
	15	2372	322
	25	912	199
	35	89	10
	45	10	3
	55	2	1
	65	1	0
	75	0	0
	85	0	0
	90	0	0

LUMEN SUMMARY	ZONE	LUMENS	% FIXTURE
	0-40	1993	100
	0-60	2003	100
	0-90	2005	100
	0-180	2005	100

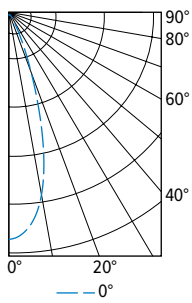
4DR-TL-L20/835-DIM-UNV-OWW-OF-CS Report #: 12316380.06; 06/11/18 | Total Luminaire Output: 1131 lumens; 19.8 Watts | Efficacy: 57.2 lm/W | 82.6 CRI; 3596K CCT



CANDLEPOWER DISTRIBUTION	VERTICAL ANGLE	HORIZONTAL ANGLE					ZONAL LUMENS
		0°	45°	90°	135°	180°	
	0	1036	1036	1036	1036	1036	
	5	1105	1057	1053	805	713	65
	15	1000	993	1037	443	488	127
	25	1550	1154	1030	364	408	194
	35	434	258	223	305	340	74
	45	67	62	136	242	261	54
	55	30	28	70	143	144	33
	65	21	18	30	74	75	18
	75	7	5	11	36	34	7
	85	0	0	1	5	0	0
	90	0	0	0	0	0	0

LUMEN SUMMARY	ZONE	LUMENS	% FIXTURE
	0 - 40	875	77
	0 - 60	1066	94
	0 - 90	1131	100
	0 - 180	1131	100

4DR-TL-L20/835-DIM-UNV-LM-OF-WH Report #: 1216380.09; 06/11/18 | Total Luminaire Output: 1794 lumens; 19.8 Watts | Efficacy: 90.6 lm/W | 82.6 CRI; 3549K CCT



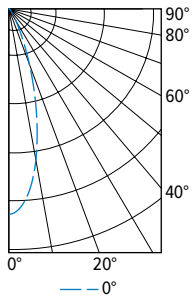
CANDLEPOWER DISTRIBUTION	VERTICAL ANGLE	HORIZONTAL ANGLE	ZONAL LUMENS
		0°	
	0	4642	
	5	4443	297
	15	2727	340
	25	737	132
	35	193	50
	45	88	32
	55	56	23
	65	34	15
	75	17	7
	85	3	1
	90	0	0

LUMEN SUMMARY	ZONE	LUMENS	% FIXTURE
	0-40	1618	90
	0-60	1738	97
	0-90	1794	100
	0-180	1794	100



4DR LED 4.5" Downlight – Round

4DR-TL-L20/835-DIM-UNV-RM-OF-WH Report #: 12316380.14; 06/12/18 | Total Luminaire Output: 1795 lumens; 19.8 Watts | Efficacy: 90.8 lm/W | 82.7 CRI; 3546K CCT



CANDLEPOWER DISTRIBUTION	VERTICAL ANGLE	HORIZONTAL ANGLE	ZONAL LUMENS
		0°	
	0	5176	
	5	4824	311
	15	2680	342
	25	786	140
	35	194	49
	45	75	26
	55	42	17
	65	22	9
	75	9	4
	85	2	1
	90	0	

LUMEN SUMMARY	ZONE	LUMENS	% FIXTURE
	0-40	1663	93
	0-60	1761	98
	0-90	1796	100
	0-180	1796	100

ADDITIONAL CONTROL OPTIONS

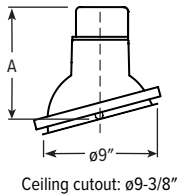
Lumen restrictions apply: L40 max for DMX driver, L40 max for Lutron drivers, L50 max for ELDO drivers, L60 max for DIM LINE driver. R Mounting Type only available with DIM, DIM1, and DIM LINE controls. 347V may require stepdown transformer, see product builder at hew.com/product-builder.

CATALOG NUMBER	DESCRIPTION
DIM	Dimming driver prewired for 0-10V low voltage applications
DIM1	1% dimming driver prewired for 0-10V low voltage applications
DIM LINE	Line voltage dimming driver (TRIAC and ELV compatible at 120V only)
DMX	0.1% dimming driver for DMX controls
LTE LINE	Lutron Hi-lume 1% 2-wire dimming driver forward phase line voltage controls (120V only)
LDE1	Lutron Hi-lume 1% EcoSystem dimming LED driver
LDE5	Lutron 5-Series 5% EcoSystem dimming LED driver
VRF/DBI/LDE1	Lutron Vive integral fixture control, RF only (DFCSJ-OEM-RF), Lutron Hi-lume 1% EcoSystem dimming LED driver, and digital link interface
VRF/DBI/LDE5	Lutron Vive integral fixture control, RF only (DFCSJ-OEM-RF), Lutron 5-Series 5% EcoSystem dimming LED driver, and digital link interface
FCJS/DIM	Lutron Vive PowPak wireless fixture control with dimming driver
FCJS/DIM1	Lutron Vive PowPak wireless fixture control with 1% dimming driver
ELDO SOLOB	EldoLED Solodrive, 0.1% dimming driver for 0-10V controls
ELDO SOLOB DALI	EldoLED Solodrive, 0.1% dimming driver for DALI controls
ELDO ECO1	EldoLED Ecodrive, 1% dimming driver for 0-10V controls
ELDO ECO1 DALI	EldoLED Ecodrive, 1% dimming driver for DALI controls

TRIMLOCK DETAILS



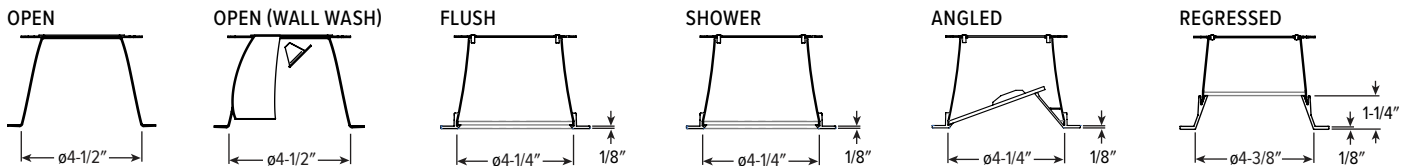
SLOPED CEILING ADAPTOR DETAILS



LUMENS	A (HEIGHT)						PLENUM HEIGHT
	5°	10°	15°	20°	25°	30°	
L10 - L30	8-13/16"	8-15/16"	9"	8-15/16"	8-7/8"	8-11/16"	9-1/4"
L40 - L60	9-9/16"	9-11/16"	9-11/16"	9-5/8"	9-1/2"	9-5/16"	10"

15° Shown

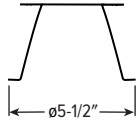
TRIM TYPE DETAILS



4DR LED 4.5" Downlight – Round

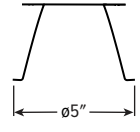
FLANGE TYPE DETAILS

1/2" STANDARD



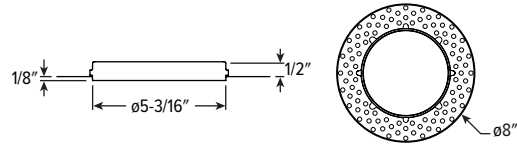
Ceiling Cutout: $\phi 5"$

1/4" MUD-IN



Ceiling cutout: $\phi 5-1/2"$

MUD FLANGE MOUNTING KIT (SLIM FLANGE TYPE)



REFLECTOR FINISH DETAILS

SPC
Clear specular

SG
Satin-glow

PW
Pewter

GD
Gold

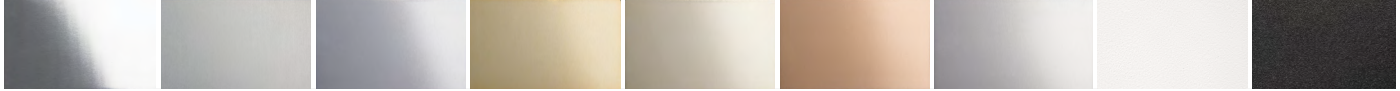
CG
Champagne gold

RG
Rose gold

CS
Clear semi-specular

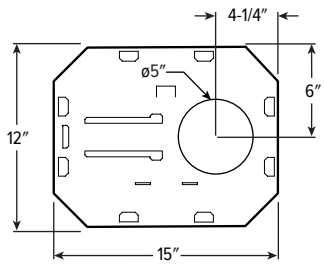
WH
White

BL
Black

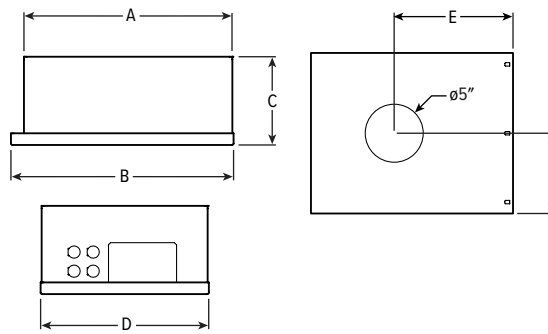


MOUNTING TYPE DETAILS

NEW CONSTRUCTION

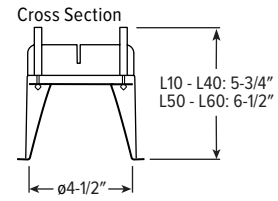


IC-RATED

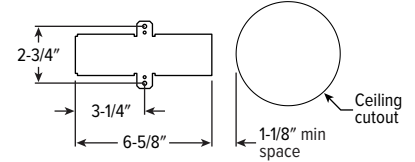


LUMENS	LENGTH					
	A	B	C	D	E	F
L10 - L20	15-3/16"	16"	6-3/8"	12-1/8"	9-1/2"	6-1/16"
L30	16-5/8"	17-1/2"	7-7/8"	14"	10-1/4"	7"

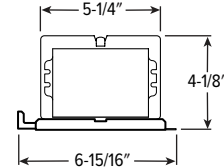
REMODEL



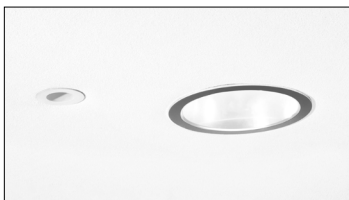
Receiver Bracket



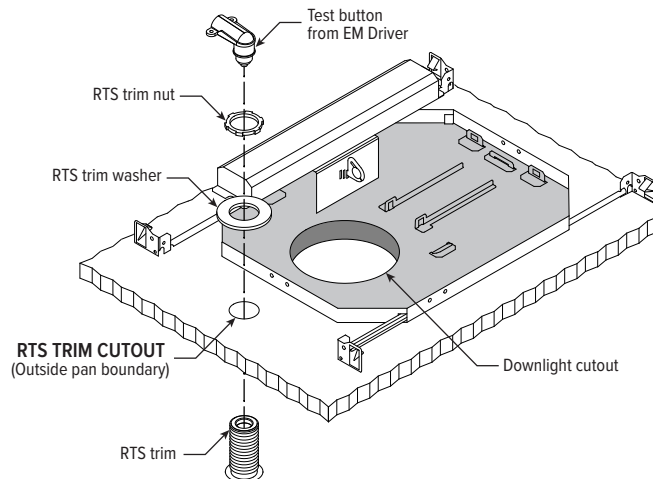
Driver and Junction Box



EM/10W/RTS DETAILS



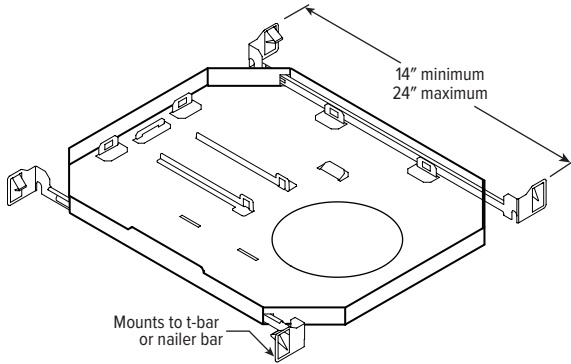
Shown Installed



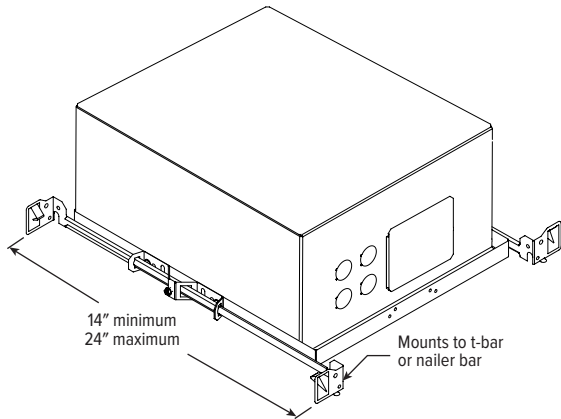
4DR LED 4.5" Downlight – Round

MOUNTING HARDWARE DETAILS

F1 Integral 2-position fixed pan bracket, universal bar hanger included



Mounts to t-bar or nailer bar

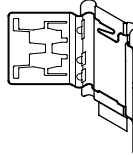


14" minimum
24" maximum

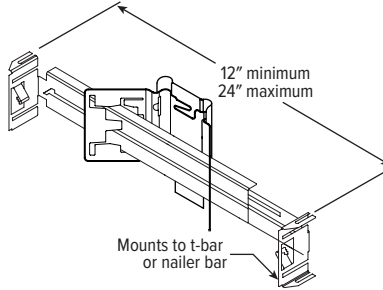
Mounts to t-bar or nailer bar

F1 with I Mounting Type

BA1 Adjustable butterfly pan bracket, bar hanger not included (N Mounting Type only)

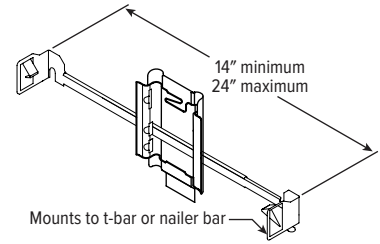


BA2 Adjustable butterfly pan bracket, heavy-duty universal bar hanger included (N Mounting Type only)



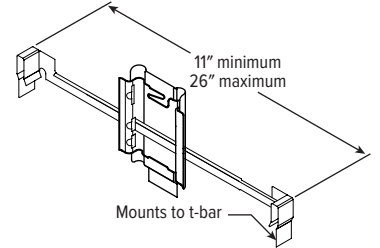
Mounts to t-bar or nailer bar

CA1 Adjustable caterpillar pan bracket, universal bar hanger included (N Mounting Type only)



Mounts to t-bar or nailer bar

CA2 Adjustable caterpillar pan bracket, t-bar hanger included (N Mounting Type only)



Mounts to t-bar

