

2x2 | 2x4
Shown with RA lens

CATALOG #: _____

TYPE: _____

PROJECT: _____

FEATURES

- Available with BIOS® SkyBlue® technology to support proper daytime circadian stimulus
- Room-side access
- Ultra slim 2-3/8" for minimal plenum space
- Uniform ambient illumination
- Companion surface and retrofit kit preserve continuity, see hew.com
- Maximize energy savings with efficacies up to 134 lm/W
- Rated for direct contact with insulation
- Heavy duty C.R.S. construction
- Made Right Here® in the USA

SPECIFICATIONS

- HOUSING/REFLECTOR** – Precision die-formed 22-gauge C.R.S.
- SHIELDING** – Diffuse ribbed acrylic.
- FINISH** – Highly reflective non-glare matte white polyester powder coat bonded to phosphate-free, multi-stage pretreated metal. All parts painted after fabrication to facilitate installation, increase efficiency, and inhibit corrosion.
- ELECTRICAL** – High quality mid-power LED boards. L80 >60,000 hours.
- MOUNTING** – Designed for NEMA Type “G” 1” grid ceiling standard. For NEMA Type “NFG” and “SG” 9/16” grid installations, specify EQCLIPS option. Drywall kit accessories available, ordered separately.
- LISTINGS** –
 - cCSAus certified as luminaire suitable for dry or damp locations.
 - DesignLights Consortium qualified product. Not all versions of this product may be DLC qualified, see the DLC Qualified Products List at www.designlights.org/QPL.
 - IC-rated for direct contact with insulation.
 - City of Chicago Environmental Air approved when specified with CP option.
- WARRANTY** – 5-year limited warranty, see hew.com/warranty.

ORDERING EXAMPLE: PT - 2 4 - L90/835 - RA - OPTIONS - DIM - UNV

ORDERING INFO

SERIES	WIDTH	LENGTH	LUMENS ⁽¹⁾	CRI	CCT	SHIELDING
PT	1 1' ⁽²⁾	2 2' ⁽³⁾	1x4	8 80	27 2700K	RA Diffuse ribbed acrylic, round
		2 2'	L27 2,700lm	9 90 ⁽⁴⁾	30 3000K	SA Diffuse ribbed acrylic, square ⁽⁵⁾
	2x2	4 4'	L45 4,500lm	35 3500K	40 4000K	50 5000K
			L61 6,100lm			
			L26 2,600lm			
	2x4	4 4'	L43 4,300lm	35 3500K	40 4000K	50 5000K
			L52 5,200lm			
			L38 3,800lm			
			L49 4,900lm			
			L61 6,100lm			
	L90 9,000lm					

OPTIONS ⁽⁶⁾

- EM/7W** 7-watt emergency LED battery ⁽⁸⁾
- EM/7WRM** Remote mount 7-watt emergency battery ⁽⁹⁾
- EM/10W** 10-watt emergency battery ⁽¹⁰⁾
- EM/10WLP** Low-profile 10-watt emergency battery ⁽¹¹⁾
- EM/12W** 12-watt emergency battery ⁽¹²⁾
- EQCLIPS (L__)** Earthquake clips ⁽¹³⁾
Additional lower lumen packages available. Example: 8,000 lumens = PT-24-L90/835-(L80) ⁽¹⁴⁾
- AMW** Anti-microbial white finish
- CP** Chicago Plenum (CCEA)
- DFK-1248W** Drywall kit, 12" x 48", white
- DFK-2424W** Drywall kit, 24" x 24", white
- DFK-2448W** Drywall kit, 24" x 48", white

CONTROL ⁽⁷⁾

- DIM** Dimming driver
- DRV** Non-dimming driver
- VDO/DSR** Lutron Vive integral fixture control, RF with daylight and occupancy sensor (DFCSJ-OEM-OCC) and sensor-ready driver ⁽¹⁵⁾
- VRF/DSR** Lutron Vive integral fixture control, RF only (DFCSJ-OEM-RF) and sensor-ready driver ⁽¹⁶⁾

VOLTAGE

- 120** 120V
- 277** 277V
- UNV** 120-277V
- 347** 347V ⁽¹⁷⁾

QUICKSHIP

2x2 ⁽¹⁸⁾	2x4 ⁽¹⁹⁾
PT-22-L36/8FS-RA-QS-DIM-UNV	PT-24-L55/8FS-RA-QS-DIM-UNV
PT-22-L43/835-RA-QS-DIM-UNV	PT-24-L61/835-RA-QS-DIM-UNV
PT-22-L43/835-RA-QS-VDO/DSR-UNV	PT-24-L61/835-RA-QS-VDO/DSR-UNV
PT-22-L43/835-RA-QS-LDE1-UNV	PT-24-L61/835-RA-QS-LDE1-UNV
PT-22-L43/840-RA-QS-DIM-UNV	PT-24-L61/840-RA-QS-DIM-UNV
PT-22-L43/840-RA-QS-VDO/DSR-UNV	PT-24-L61/840-RA-QS-VDO/DSR-UNV
PT-22-L43/840-RA-QS-LDE1-UNV	PT-24-L61/840-RA-QS-LDE1-UNV

NOTES

- Lumen output based on 3500 CCT. Actual lumens may vary +/-5%, see page 2 for FIXTURE PERFORMANCE DATA. Additional lumen packages available, see options.
- 4' length only.
- 2' width only.
- Extended lead times may apply. Consult factory for availability.
- Increases lumen output by 3%.
- See page 4 for FLEXIBLE WHIP OPTIONS. See [Technical Info](#) for Drywall Kit details.
- See page 3 for ADDITIONAL CONTROL OPTIONS.
- 2x2 and 2x4 only.
- 1x4 only.
- 2x2 & 2x4 only.
- 1x4 only.
- 2x2 & 2x4 only.
- 4 per fixture. Optional for 1" grid installations. Required for 9/16" grid mounting.
- Specify in increments of 100 nominal lumens. Option must be specified with next higher lumen package.
- See page 4 for SENSOR DETAILS.
- See page 4 for SENSOR DETAILS.
- Not available with emergency batteries.
- Extended lead times may apply for Lutron options.
- Extended lead times may apply for Lutron options.



Available with BIOS® consult factory



FIXTURE PERFORMANCE DATA

	LED PACKAGE	DELIVERED LUMENS	WATTAGE	EFFICACY (lm/W)
1x4	L27	2723	21.4	127.4
	L45	4526	33.7	134.3
	L61	6059	48.5	124.9
2x2	L26	2633	21.3	123.6
	L43	4343	34.7	125.3
	L52	5207	43.3	120.2
2x4	L38	3763	31.4	119.7
	L49	4928	37.2	132.6
	L61	6059	48.5	124.9
	L90	9018	71.4	126.4

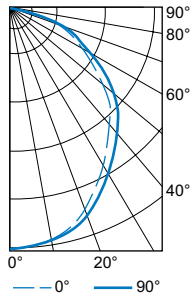
MULTIPLIER TABLE

		COLOR TEMPERATURE	
		CCT	CONVERSION FACTOR
80 CRI	2700K		0.97
	3000K		0.99
	3500K		1.00
	4000K		1.03
	5000K		1.06
90 CRI	2700K		0.82
	3000K		0.83
	3500K		0.84
	4000K		0.86
	5000K		0.90

- Photometrics tested in accordance with IESNA LM-79. Results shown are based on 25°C ambient temperature.
- Wattage shown is average for 120V through 277V input.
- Results based on 3500K, 80 CRI, actual lumens may vary +/-5%
- Use multiplier table to calculate additional options.

PHOTOMETRY

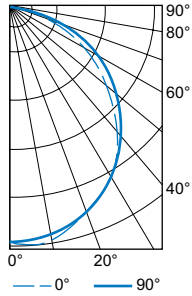
PT-24-L90/835-RA-DIM-UNV Total Luminaire Output: 9018 lumens; 71.4 Watts | Efficacy: 126 lm/W | 82.7 CRI; 3494K CCT



VERTICAL ANGLE	HORIZONTAL ANGLE			ZONAL LUMENS
	0°	45°	90°	
0	3405	3405	3405	
5	3388	3388	3390	322
15	3167	3181	3201	907
25	2803	2850	2891	1324
35	2356	2444	2527	1529
45	1917	2069	2190	1572
55	1349	1525	1673	1362
65	875	1081	1246	1054
75	406	645	817	681
85	81	290	340	267
90	0	0	0	

LUMEN SUMMARY	ZONE	LUMENS	% FIXTURE
	0 - 30	2553	28
	0 - 40	4082	45
	0 - 60	7016	78
	0 - 90	9018	100
	0 - 180	9018	100

PT-14-L61/835-RA-DIM-UNV Total Luminaire Output: 6059 lumens; 48.5 Watts | Efficacy: 125 lm/W | 84.9 CRI; 3544K CCT



VERTICAL ANGLE	HORIZONTAL ANGLE			ZONAL LUMENS
	0°	45°	90°	
0	2208	2208	2208	
5	2258	2233	2200	211
15	2158	2153	2126	604
25	1974	1984	1960	908
35	1718	1740	1741	1079
45	1370	1431	1452	1091
55	981	1078	1123	958
65	629	745	765	713
75	280	392	409	398
85	43	71	83	98
90	0	0	0	

LUMEN SUMMARY	ZONE	LUMENS	% FIXTURE
	0 - 30	1723	28
	0 - 40	2802	46
	0 - 60	4850	80
	0 - 90	6059	100
	0 - 180	6059	100

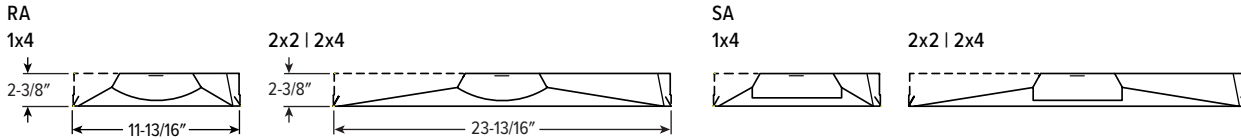


ADDITIONAL CONTROL OPTIONS

Note: Lumen restrictions apply, consult product builder at hew.com/product-builder.

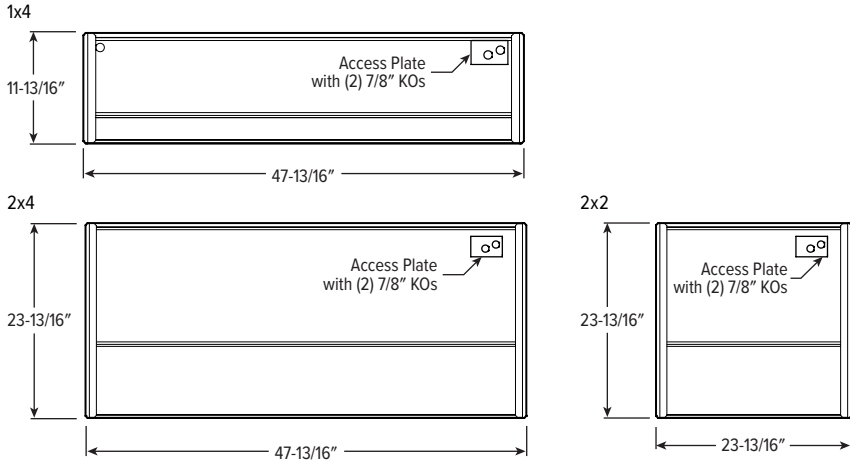
CATALOG NUMBER	DESCRIPTION
DRV	Driver prewired for non-dimming applications
DIM	Dimming driver prewired for 0-10V low voltage applications
DIM1	1% dimming driver prewired for 0-10V low voltage applications
DIM LINE	Line voltage dimming driver (TRIAC and ELV compatible, 120V only)
DIM TRC	Line voltage dimming driver (TRIAC compatible, 120V or 277V only)
DSR	Sensor-ready driver
SD40	40% step-dimming driver
SD50	50% step-dimming driver
DALI	DALI dimming driver
LTE LINE	Lutron Hi-lume 1% 2-wire dimming driver forward phase line voltage controls (120V only)
LDE1	Lutron Hi-lume 1% EcoSystem dimming LED driver
LDE5	Lutron 5-Series 5% EcoSystem dimming LED driver
VDO/DSR	Lutron Vive integral fixture control, RF with daylight and occupancy sensor (DFCSJ-OEM-OCC) and sensor-ready driver
VRF/DSR	Lutron Vive integral fixture control, RF only (DFCSJ-OEM-RF) and sensor-ready driver
VDO/DBI/LDE1	Lutron Vive integral fixture control, RF with daylight and occupancy sensor (DFCSJ-OEM-OCC), Lutron Hi-lume 1% EcoSystem dimming LED driver, and digital link interface
VDO/DBI/LDE5	Lutron Vive integral fixture control, RF with daylight and occupancy sensor (DFCSJ-OEM-OCC), Lutron 5-Series 5% EcoSystem dimming LED driver, and digital link interface
VRF/DBI/LDE1	Lutron Vive integral fixture control, RF only (DFCSJ-OEM-RF), Lutron Hi-lume 1% EcoSystem dimming LED driver, and digital link interface
VRF/DBI/LDE5	Lutron Vive integral fixture control, RF only (DFCSJ-OEM-RF), Lutron 5-Series 5% EcoSystem dimming LED driver, and digital link interface
ELDO SOLOB	EldoLED Solodrive, 0.1% dimming driver for 0-10V controls
ELDO SOLOB DALI	EldoLED Solodrive, 0.1% dimming driver for DALI controls
ELDO ECO1	EldoLED Ecodrive, 1% dimming driver for 0-10V controls
ELDO ECO1 DALI	EldoLED Ecodrive, 1% dimming driver for DALI controls

CROSS SECTIONS



FIXTURE DETAILS

BACKVIEW



FLEXIBLE WHIP OPTIONS

All Williams recessed troffers are available with a flexible metallic wiring harness, factory-attached and hard-wired to the luminaire. See ordering information table.

Straight connectors are a snap-in type. Consult factory for wiring harness utilizing connectors secured by lock nuts, optional flex size, lengths, and other wire sizes or circuitry. Three-wire flex utilizes black, white, and green wire. Four-wire flex utilizes black, white, red, and green wire. Adding an emergency option requires an additional wire.

Williams fixtures are UL listed to provide factory-installation of several manufacturers' modular wiring devices. Consult factory for availability and ordering information.

DESIGNATION	DESCRIPTION	DRIVER
F338	6' of 3/8" flex, (3) No. 18 AWG wires with (2) straight connectors	DRV, LTE LINE
F348	6' of 3/8" flex, (4) No. 18 AWG wires with (2) straight connectors	SD40
F334	6' of 3/8" flex, (3) No. 14 AWG wires with (2) straight connectors	DRV, LTE LINE
F344	6' of 3/8" flex, (4) No. 14 AWG wires with (2) straight connectors	SD40
F358	6' of 3/8" flex, (5) #18 AWG wires with (2) straight connectors	DIM, DALI

SENSOR DETAILS

