

ITL45

Trenton Gimbal For PAR38 LED Lamp

Catalog Number	Type
Notes	



*LED Lamp Must Be Order Separately

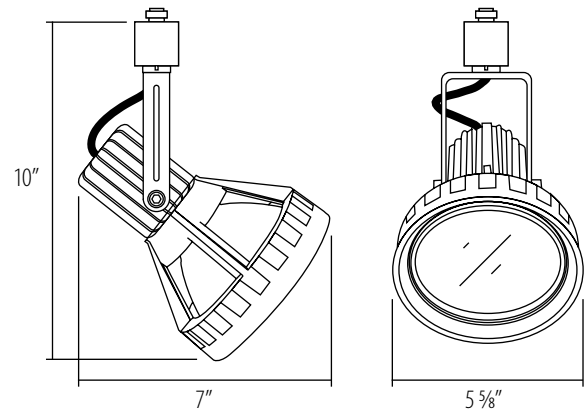
150W MAX

PAR

PAR LED

PS
Pro-Series

cUL US



Housing Matrix | Example : ITL45SV-PS

A	B	C	D
A Series		C Adapter	
ITL45 PAR38 Front Loading Track Head		blank Intense Single / Two Circuit 120V -PS Pro-Series 120V -J J-Type Adapter ¹ -L L-Type Adapter ¹	
B Finish		D Options	
W White		-C12W 12" Connection White	
B Black		-C12B 12" Connection Black	
SV Silver		-C12SN 12" Connection Satin Nickel	
		-C18W 18" Connection White	
		-C18B 18" Connection Black	
		-C18SN 18" Connection Satin Nickel	

Notes:

¹ - Consult factory for track adapters



Accessories:

Accessory holder required. Designed to accommodate up-to (2) filter media or (1) IS445 cross louver and (1) filter media. Must order accessory holder and control media separately.

Accessory Holder:

Catalog #	Description
LH45W	White Accessory Holder
LH45B	Black Accessory Holder
LH45SV	Silver Accessory Holder

Filter Media:

Catalog #	Description
PFL45-1	Prismatic Spread Lens
PFL45-2	Linear Spread Lens
PFL45-3	Sand Blast Spread Lens
PFL45-4	Soft Focus

Cross Louver:

Catalog #	Description
IS445	Black Cross Louver

Description:

Trenton LED Gimbal specifically designed to accommodate PAR38 LED lamps. Designed for accurate aiming and position holding. Front loaded lamp screws into socket holding it firmly in place.

Features:

- Heavy duty die cast construction
- Fixture is designed to accommodate "heavy" PAR38 LED lamps
- Locking gimbal ensures the longevity of vertical aiming
- Open back allows for continuous air flow allowing LED lamp operate in an open air environment
- Accessory holder for filters and louvers.

Target Market Segments:

- Retail
- Art galleries and museums
- Hospitality
- Offices
- Residential
- Restaurants

Lamp:

LED: PAR38 25W max
Incandescent: PAR38 150W max.
Lamp must be ordered separately.

Socket:

E26 Medium Base

LH45 Accessory holder:

Designed to accommodate up-to (2) filter media or (1) IS445 cross louver and (1) filter media. Must order accessory holder and control media separately.

Track Connections Option:

Track connections give the flexibility to put lighting where it is needed. Connections are available with line voltage and select low voltage track heads. Conveniently factory installed, Track Connection are a labor-free alternative. Specify track connection option after track fixture catalog number.

Track Compatibility:

Track luminaire is designed for use with the following track systems:
- Single Circuit/Single Neutral
- Two Circuit/Single Neutral
As a default, the track adapter is shipped from the factory for use with the single circuit track system. Positive contact is in the "down" position. Raise contact with a screwdriver or pliers to the "up" position for two circuit compatibility.

Professional Series Option:

Track fixture is compatible with Intense Two Circuit / Two Neutral Professional Track series. Track adapter is factory installed on fixture.

- Two Circuit / Two Neutral 120V:

Track is ideal for dimming intensive applications. The independent neutrals guarantee that the two circuits are completely isolated. Independent neutrals also offer twice the power handling capacity of ordinary common neutral track.

Listing:

UL listed to US and Canadian standards for dry locations.

Warranty:

One (1) year limited warranty after date of shipment.



PAR38LED Lamps for LED Front Loading Gimbal

Catalog Number	Type
Notes	



PAR38 LED Medium Base LED Retrofit Lamps												
Catalog Number	Wattage (W)	Base Type	Input Voltage (V)	Average Rated Life (hrs.) ¹	Typical Lumens (lm) ²	CCT ³	CRI ⁴	R9	CBCP (CD)	Beam Angle	Power Factor	Dimming
LED18PAR38/DIM/830/NFL25	18	Medium	120	50,000	900	3000K	87	43	3100	25°	0.75	Yes
LED18PAR38/DIM/830/FL40	18	Medium	120	50,000	900	3000K	87	43	1500	40°	0.75	Yes
LED18PAR38/DIM/827/NFL25	18	Medium	120	50,000	860	2700K	84	40	3680	25°	0.75	Yes
LED18PAR38/DIM/827/FL40	18	Medium	120	50,000	860	2700K	84	39	1150	40°	0.75	Yes
LED10PAR38/SG/830/WSP15	10	Medium	120	25,000	650	3000K	82	27	6900	15°	0.9	No
LED15PAR38/SG/830/SP10	15	Medium	120	25,000	760	3000K	89	48	16,000	10°	0.9	No
LED15PAR38/SG/830/WSP15	15	Medium	120	25,000	760	3000K	89	48	7500	15°	0.9	No
LED15PAR38/SG/827/SP10	15	Medium	120	25,000	700	2700K	89	-	15,000	10°	0.9	No
LED15PAR38/SG/827/WSP15	15	Medium	120	25,000	700	2700K	89	-	7000	15°	0.9	No
LED15PAR38/SG/830/WSP12	15	Medium	120	25,000	760	3000K	89	-	11,000	12°	0.9	No

Notes: 1. Hours lifetime with 70% lumen maintenance 2. Thermally stable typical lumens (±10%) 3. Thermally stable typical CCT (±10%) 4. CRI – Color Rendering Index