



BAYLIGHTER - LED

Job Name	Type
----------	------

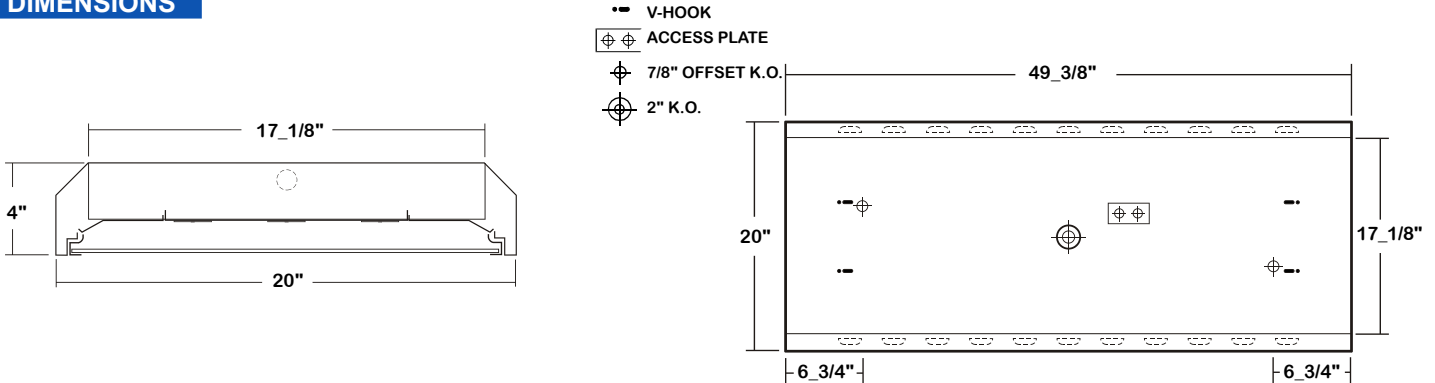


2-EBY350 SERIES

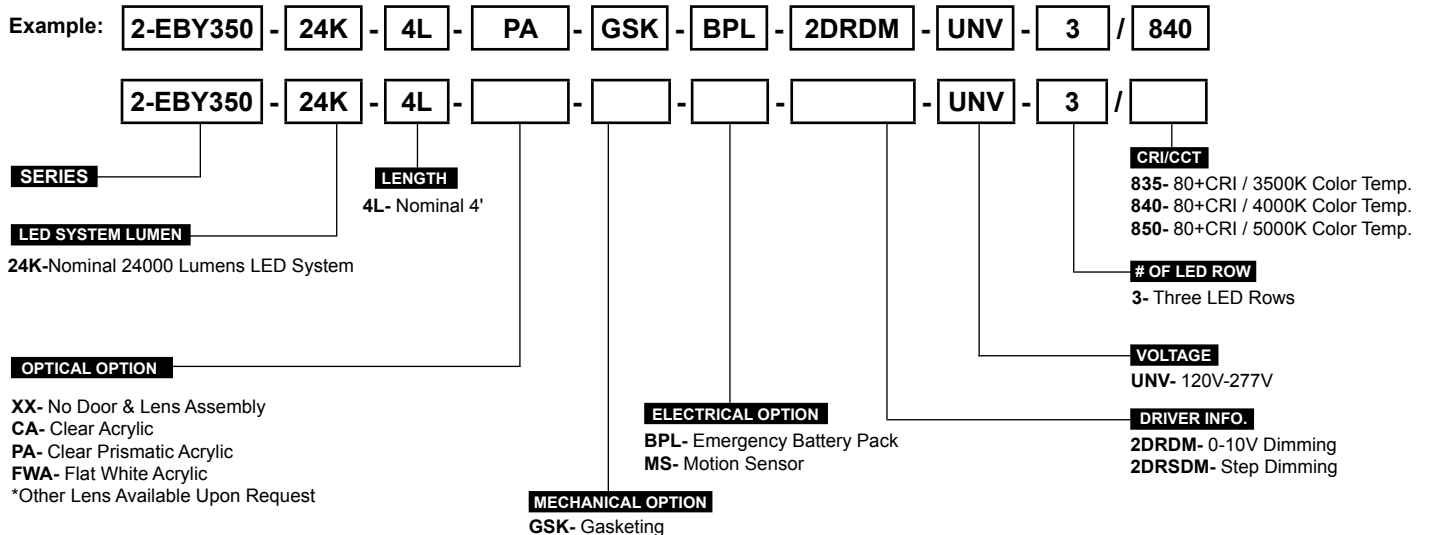
- High Bay LED Luminaire
- Frame & Lens Assembly with Safety Cables
- Removable Wiring Access Plate
- Surface, Cable or Chain Mountable
- High efficiency drivers coupled with long-life LEDs, service life greater than 50,000 hours (L70)
- Available with:
 - .040 Aluminum Fixture Housing
 - Variety of Lenses
 - Emergency Battery Pack
 - Sensor
 - 11ga. Wire Guard



DIMENSIONS




ORDERING GUIDE



Los Angeles Lighting Mfg. Co. El Monte / California

TEL: 626-454-8300 FAX: 626-454-8399 www.lalighting.com

2-EBY350 - LED**2-EBY350 SERIES****SYSTEM DATA**

Nominal Size	LED Lumen Package	CRI/ CCT	Optical Option	System Watts	System Watts	Luminaire Efficacy	Fluorescent Equivalent	IES Files	Photometric Report
4'	24K	840	CA	22297 LM	194.46 W	114.7 LPW	6-F54T5HO	LA-T2489	 Click Here
			PA	19906 LM	194.46 W	102.4 LPW	6-F54T5HO	LA-T2424	
			XX	23819 LM	194.46 W	122.5 LPW	6-F54T5HO	LA-T2671	

Note:

System data above are based on 120V input voltage.

Actual performance may differ as a result of end-user environment and application.

Specifications subject to change without notice

ACCESSORIES**WG11-EBY350**

- 11ga Wire Guard
- Chrome epoxy powder coated finish

CEILING SPACE

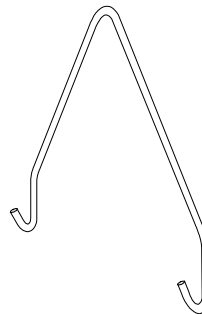
- See appropriate reference page

FIXTURE SUSPENSION SYSTEM

- See appropriate reference page

V6

- 6" Leg Height V-Hook

**SPECIFICATIONS**

- **TYPE** High bay LED luminaire for surface or chain mounting. Must be spaced a minimum of 1½ from ceiling when surface mounted.
- **CONSTRUCTION** 22 ga. cold rolled steel housing with louvered vents on top for heat removal. (20ga. C.R.S. and .040 aluminum housing available as specified.)
- **FINISH** Baked white polyester finish, minimum reflectance 86%. (Powder coated finish available.)
- **DOOR FRAME** 20ga. cold rolled steel door frame standard. T-hinges and positive spring loaded latches. Safety cables attached.
- **OPTICS** Clear acrylic lens standard. Extensive variety of lenses, diffusers and louvers available.
- **LED SYSTEM** High efficiency drivers coupled with long-life LEDs, service life greater than 50,000 hours (L70).
- **WIRING** Universal voltage 120v thru 277v.
- **WARRANTY** 5-Year Limited Warranty.
- **LABELS** U. L. Listed. Suitable for damp locations.



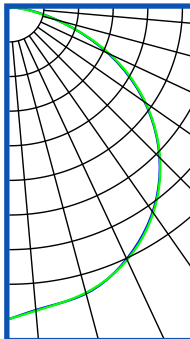
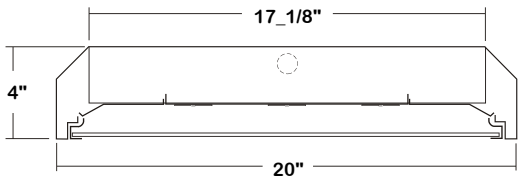
Los Angeles Lighting Mfg. Co. El Monte / California

TEL: 626-454-8300 FAX: 626-454-8399 www.lalighting.com

PHOTOMETRIC DATA - 2-EBY350 SERIES

2-EBY350-24K-4L-CA-2DRDM(PHI)-UNV-3P/850(PHI)

TEST NO.=LA-T2489
 LED TYPE= 44 LED MODULE
 NO. OF MODULE=6
 SYSTEM WATT (W)=194.46
 CRI=>80
 L70(Hrs.)=50,000
 PHOTOMETRY TYPE=C



CANDLEPOWER			
ANGLE	END	45	CROSS
0	7869	7869	7869
5	7674	7693	7649
15	7485	7465	7479
25	7014	7039	7068
35	6311	6337	6355
45	5364	5379	4280
55	4176	4202	2880
65	2758	2804	1166
75	1259	1247	144
85	256	186	0
90	0	0	0
95	0	0	0
105	0	0	0
115	0	0	0
125	0	0	0
135	0	0	0
145	0	0	0
155	0	0	0
165	0	0	0
175	0	0	0
180	0	0	0

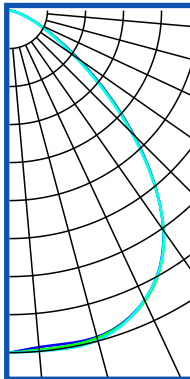
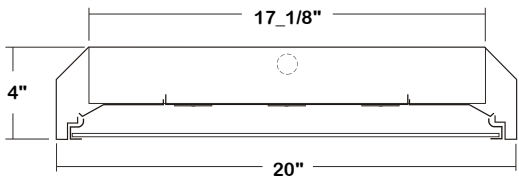
ZONAL LUMEN SUMMARY			
DEGREES	LUMENS	% LAMP	% FIXTURE
0-30	6111	25.3	27.4
0-40	10091	41.8	45.3
0-60	18048	74.8	80.9
0-90	22297	92.4	100.0
90-120	0	0.0	0.0
90-150	0	0.0	0.0
90-180	0	0.0	0.0
0-180	22297	92.4	100.0

Luminaire Output= 22297 lumens
 Luminaire Efficiency = 92.4%

SPACING CRITERION	
ALONG	ACROSS
1.26	1.26

2-EBY350-24K-4L-PA-2DR(PHI)-UNV-3P_850(PHI)

TEST NO.=LA-T2424
 LED TYPE= 44 LED MODULE
 NO. OF MODULE=6
 SYSTEM WATT (W)=194.46
 CRI=>80
 L70(Hrs.)=50,000
 PHOTOMETRY TYPE=C



CANDLEPOWER			
ANGLE	END	45	CROSS
0	9815	9815	9815
5	9694	9768	9812
15	9696	9726	9794
25	9166	9197	9166
35	7699	7716	7712
45	5037	4988	4943
55	2398	2323	2260
65	896	880	851
75	261	255	245
85	39	37	38
90	2	2	2
95	0	0	0
105	0	0	0
115	0	0	0
125	0	0	0
135	0	0	0
145	0	0	0
155	0	0	0
165	0	0	0
175	0	0	0
180	0	0	0

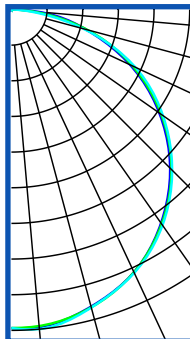
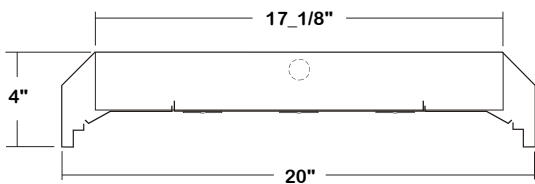
ZONAL LUMEN SUMMARY			
DEGREES	LUMENS	% LAMP	% FIXTURE
0-30	7942	32.9	39.9
0-40	12785	53.0	64.2
0-60	18736	77.7	94.1
0-90	19906	82.5	100.0
90-120	0	0.0	0.0
90-150	0	0.0	0.0
90-180	0	0.0	0.0
0-180	19906	82.5	100.0

Luminaire Output= 19906 lumens
 Luminaire Efficiency = 82.5%

SPACING CRITERION	
ALONG	ACROSS
1.25	1.25

2-EBY350-24K-4L-XX-2DRDM(PHI)-UNV-3P/850

TEST NO.=LA-T2671
 LED TYPE= 44 LED MODULE
 NO. OF MODULE=6
 SYSTEM WATT (W)=194.46
 CRI=>80
 L70(Hrs.)=50,000
 PHOTOMETRY TYPE=C



CANDLEPOWER			
ANGLE	END	45	CROSS
0	7684	7684	7684
5	7690	7665	7739
15	7420	7438	7743
25	6993	6994	7010
35	6291	6318	6353
45	5414	5461	5483
55	4357	4414	4462
65	3161	3224	3299
75	1862	1893	1806
85	673	477	345
90	27	13	11
95	0	0	0
105	0	0	0
115	0	0	0
125	0	0	0
135	0	0	0
145	0	0	0
155	0	0	0
165	0	0	0
175	0	0	0
180	0	0	0

ZONAL LUMEN SUMMARY			
DEGREES	LUMENS	% LAMP	% FIXTURE
0-30	6080	25.2	25.5
0-40	10051	41.7	42.2
0-60	18233	75.6	76.5
0-90	23815	98.7	100.0
90-120	4	0.0	0.0
90-150	4	0.0	0.0
90-180	4	0.0	0.0
0-180	23819	98.8	100.0

Luminaire Output= 23819 lumens
 Luminaire Efficiency = 98.8%

SPACING CRITERION	
ALONG	ACROSS
1.27	1.29

This Space is intentionally left blank.

