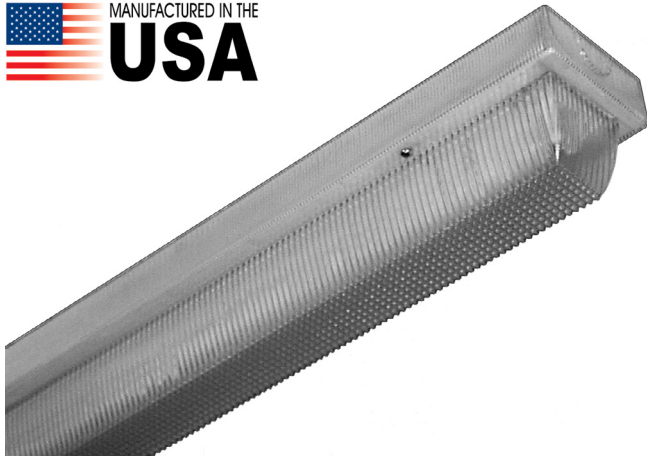




SECURITY - LED

Job Name Type



3-WSE400 SERIES

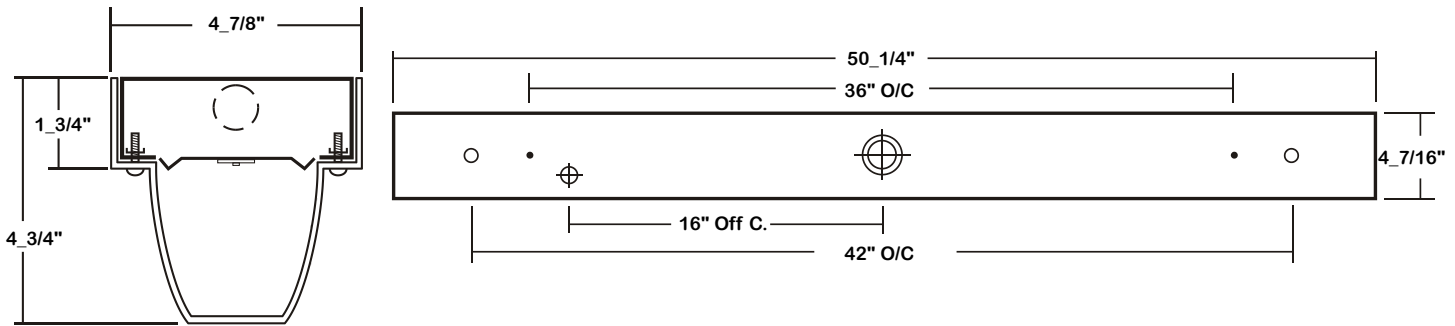
- Wraparound **SE**curity LED Luminaire
- 20 ga. Cold rolled steel housing
- Welded and painted after fabrication
- .187 Clear prismatic polycarbonate lens
- Stainless steel captive tamper proof screws
- Suitable for damp locations
- 0-10V dimming driver standard, other dimming types available
- LEDs for energy efficiency and service life up to 100,000 hours L70
- Controls and sensors available for your application
- Wireless control options (Lutron, EnOcean, ZigBee, etc.)
- Supports California Title 24 Compliance
- Available with:

- Custom Colors
- Emergency Battery Pack



SHOP NOW >

DIMENSIONS



ORDERING GUIDE

Example: **3-WSE400** - **4K** - **4L** - **BPL** - **1DRDM** - **UNV** - **1** / **840**

3-WSE400 - - **4L** - - - **UNV** - **1** /

SERIES

LED SYSTEM LUMEN

2K-Nominal 2000 Lumens LED System
 4K-Nominal 4000 Lumens LED System
 *Additional Lumen Packages Available

LENGTH

4L- Nominal 4'

ELECTRICAL OPTION

BPL- Emergency Battery Pack
[Additional Electrical Options](#)

CRI/CCT

835- 80+CRI / 3500K Color Temp.
 840- 80+CRI / 4000K Color Temp.
 850- 80+CRI / 5000K Color Temp.
 *Additional Color Temp. Available

OF LED ROW

1- One LED Row

VOLTAGE

UNV- 120V-277V

DRIVER INFO.

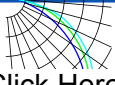
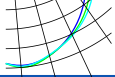
1DRDM- 0-10V Dimming
[Additional Driver Options](#)



Los Angeles Lighting Mfg. Co. El Monte / California

TEL: 626-454-8300 FAX: 626-454-8399 www.lalighting.com

SYSTEM DATA

Nominal Size	LED Lumen Package	CRI/CCT	Delivered Lumens	System Watts	Luminaire Efficacy	Fluorescent Equivalent	IES Files	Photometric Report
4'	2K	840	2096 LM	17.8 W	117.8 LPW	1-F32T8	LA-T2616	
	4K		3970 LM	34.7 W	114.4 LPW	2-F32T8	LA-T2617	

Note:

System data above are based on 120V input voltage.

Actual performance may differ as a result of end-user environment and application.

Specifications subject to change without notice

SPECIFICATIONS

- TYPE Wraparound LED Luminaire designed for use in public spaces where vandalism may be a problem.
- CONSTRUCTION Die formed 20 ga. C.R.S. Spot welded seams and corners.
- FINISH Baked white powder coated finish, painted after fabrication.
- OPTICS Clear prismatic polycarbonate lens with gasket standard, .187 thickness. Lens secured by 6 stainless steel tamper resistant screws. (Hex socket with post).
- LED SYSTEM High efficiency drivers coupled with long-life LEDs, service life greater than 100,000 hours (L70).
- WIRING Universal voltage 120V through 277V.
- WARRANTY 5-Year Limited Warranty.
- LISTING U. L. Listed. Suitable for damp locations.



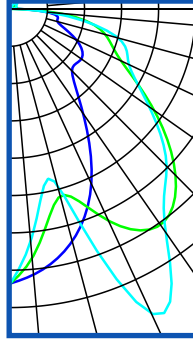
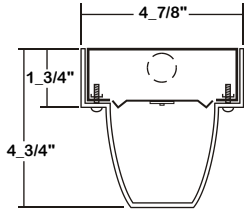
Los Angeles Lighting Mfg. Co. El Monte / California

TEL: 626-454-8300 FAX: 626-454-8399 www.lalighting.com

PHOTOMETRIC DATA - 3-WSE400 SERIES

3-WSE400-2K-4L-1DRDM(ULT)-UNV-1S/840(SAM)

TEST NO.=LA-T2616
 LED TYPE= 24 LED MODULE
 NO. OF MODULE=2
 SYSTEM WATT (W)=17.8
 CRI=>80
 L70(Hrs.)=100,000
 PHOTOMETRY TYPE=C



CANDLEPOWER

ANGLE	END	45	CROSS
0	640	640	640
5	622	584	544
15	561	452	425
25	450	545	784
35	298	615	636
45	205	549	519
55	203	412	398
65	171	287	307
75	114	231	262
85	87	113	91
90	17	11	10
95	12	8	4
105	7	14	14
115	5	12	15
125	3	12	18
135	2	11	22
145	1	4	12
155	0	0	2
165	0	0	0
175	0	0	0
180	0	0	0

ZONAL LUMEN SUMMARY

DEGREES	LUMENS	% LAMP	% FIXTURE
0-30	459	21.3	21.9
0-40	799	37.1	38.1
0-60	1471	68.3	70.2
0-90	2040	94.7	97.3
90-120	33	1.5	1.6
90-150	55	2.6	2.6
90-180	56	2.6	2.7
0-180	2096	97.3	100.0

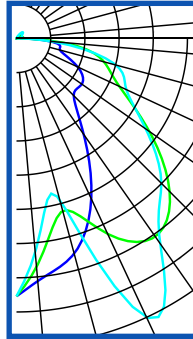
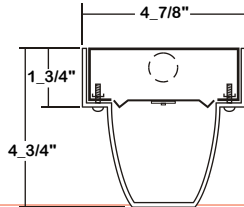
Luminaire Output= 2096 lumens
 Luminaire Efficiency = 97.3%

SPACING CRITERION

ALONG	ACROSS
0.96	1.48

3-WSE400-4K-4L-1DRDM(ULT)-UNV-1S/840(SAM)

TEST NO.=LA-T2617
 LED TYPE= 32 LED MODULE
 NO. OF MODULE=2
 SYSTEM WATT (W)=34.7
 CRI=>80
 L70(Hrs.)=100,000
 PHOTOMETRY TYPE=C



CANDLEPOWER

ANGLE	END	45	CROSS
0	1239	1239	1239
5	1171	1103	1032
15	1071	858	803
25	850	1036	1479
35	563	1163	1204
45	389	1041	985
55	383	779	758
65	325	545	582
75	216	435	494
85	163	215	172
90	33	20	18
95	23	15	9
105	12	26	26
115	10	22	29
125	7	23	35
135	3	20	42
145	1	8	24
155	0	1	4
165	0	0	0
175	0	0	0
180	0	0	0

ZONAL LUMEN SUMMARY

DEGREES	LUMENS	% LAMP	% FIXTURE
0-30	870	21.3	21.9
0-40	1513	37.1	38.1
0-60	2787	68.3	70.2
0-90	3864	94.7	97.3
90-120	63	1.5	1.6
90-150	105	2.6	2.6
90-180	106	2.6	2.7
0-180	3970	97.3	100.0

Luminaire Output= 3970 lumens
 Luminaire Efficiency = 97.3%

SPACING CRITERION

ALONG	ACROSS
0.94	1.45

This Space is intentionally left blank.

This Space is intentionally left blank.

