



SECURITY

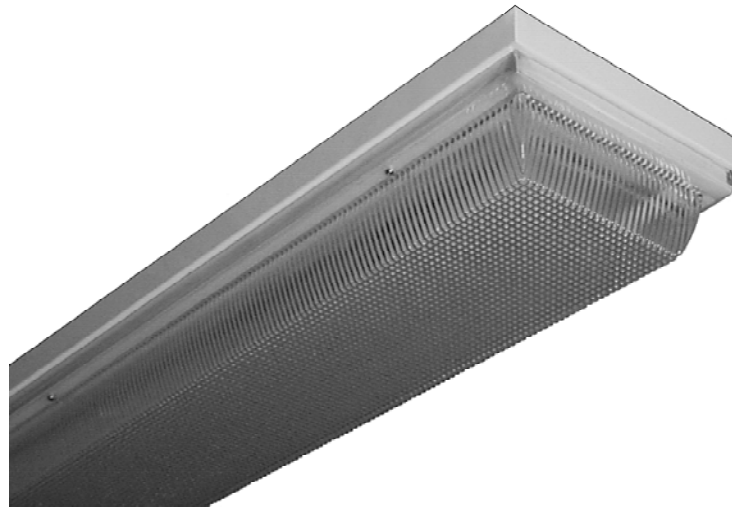
WSE500 SERIES



Security Wraparound Luminaire



SHOP NOW >



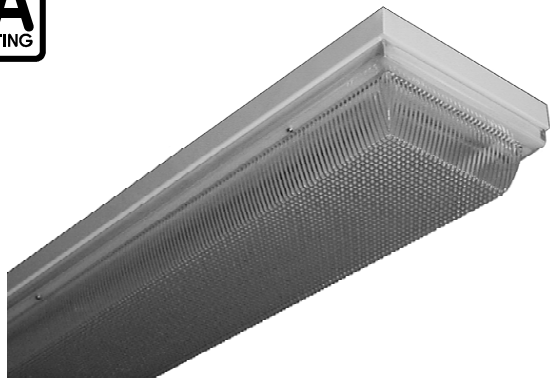
- Security Wraparound Luminaire
- 20 Ga. Cold Rolled Steel Housing
- Welded and Painted After Fabrication
- .187 Clear Prismatic Polycarbonate Lens
- Stainless Steel Captive Tamper Proof Screws
- Suitable for Damp Locations
- Available with:
 Fluorescent, LED and LED T8 (Internally Driven)
 Emergency Battery Pack



Photometric Data and IES Files are Available on www.lalighting.com

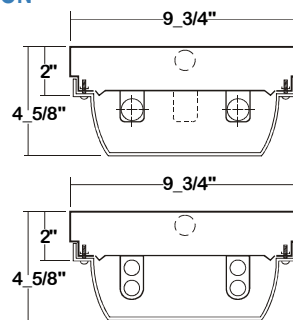


LOS ANGELES LIGHTING MFG. CO.
 10141 OLNEY ST. / EL MONTE, CA 91731
 TEL : 626-454-8300 FAX : 626-454-8399
www.lalighting.com



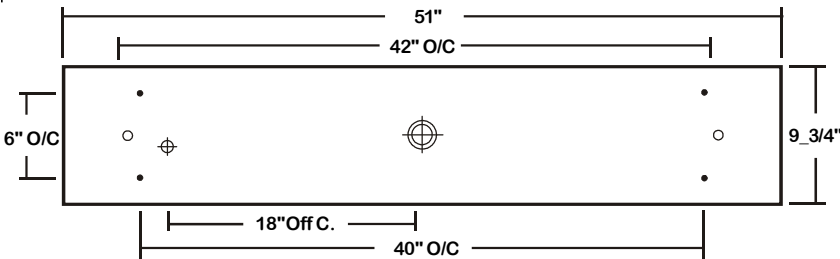
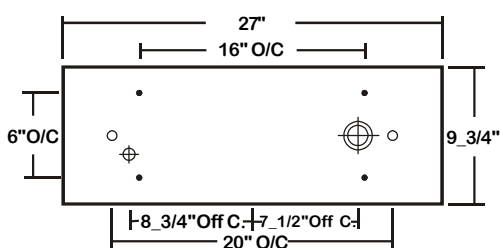
WSE500 SERIES

CROSS SECTION



BACK PLATE

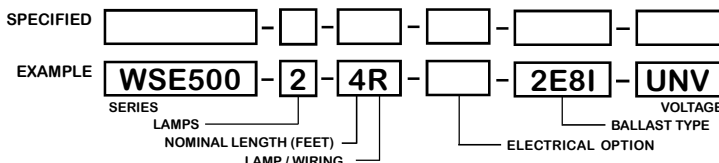
- 3/8" MTG. K.O. ○ 11/16" STEM MTG. K.O. ⊕ 7/8" K.O. ⊕ 2" K.O.



CATALOG NUMBER

	NOMINAL LENGTH	TOTAL LAMPS		NOMINAL LENGTH	TOTAL LAMPS
WSE500-2-2M	2'	2	WSE500-2-2B	2'	2
WSE500-2-4M	4'	2	WSE500-2-2R	2'	2
WSE500-3-2M	2'	3	WSE500-2-4R	4'	2
WSE500-3-4M	4'	3	WSE500-3-2R	2'	3
			WSE500-3-4R	4'	3

ORDERING GUIDE



NOTE: LAMP/WIRING* M=Miniature Bi-Pin T5 B=Compact Twin Tube
R=Medium Bi-Pin T8

OPTIONS AND ACCESSORIES

ELECTRICAL OPTIONS

- Emergency Battery Pack
- External Line Fusing (HLR/GLR)
- Radio Interference Filters
- Night Light (Fluor. 7W or 9W)

SUFFIX

- BP*
- ELF
- RIF
- NL9

BALLAST OPTIONS

- Electronic T5
- Electronic T5HO
- Electronic Step Dimming T5HO
- Electronic T8
- Electronic Step Dimming T8
- Electronic Compact Twin Tube

SUFFIX

- E5*
- E5H
- ESDM5H
- E8*
- ESDM8*
- EB*

ACCESSORIES

- Fixture Suspension System

CAT. NO.

*

*See Appropriate Reference Page

SPECIFICATIONS

TYPE

Wraparound designed for use in public spaces where vandalism may be a problem.

CONSTRUCTION

Die formed 20 gauge. C.R.S. Spot welded seams and corners.

FINISH

Baked white powder coated finish, minimum reflectance 90%, painted after fabrication.

OPTICS

Clear prismatic polycarbonate lens standard, .187 thickness. Lens secured by 4 (or 6) stainless steel tamper resistant screws (Hex socket with post).

WIRING

120v 60Hz., 277v 60Hz., UNV (universal voltage 120v thru 277v.) or as otherwise specified.

LABELS

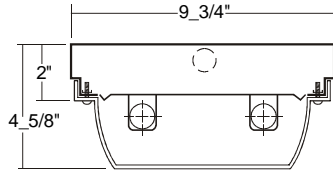
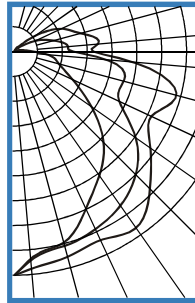
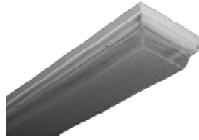
U.L. or ETL Listed. Suitable for damp locations.



PHOTOMETRIC DATA

WSE500-2-4R-E8

TEST NO.=LA-T0500
 LAMP TYPE=FO32T8
 NO. OF LAMP=2
 LUMENS PER LAMP=2900
 WATTS PER LAMP=32
 BALLAST FACTOR=1
 PHOTOMETRY TYPE=C



CANDLEPOWER

ANGLE	END	4 5	CROSS
0	1108	1108	1108
5	1023	1032	1076
15	974	993	1049
25	848	965	1028
35	739	924	1060
45	622	852	950
55	459	730	821
65	311	571	751
75	226	561	830
85	163	455	585
90	95	291	390
95	62	267	414
105	28	206	344
115	14	133	266
125	11	58	156
135	5	23	51
145	3	13	28
155	0	6	14
165	0	2	2
175	0	0	0
180	0	0	0

ZONAL LUMEN SUMMARY

DEGREES	LUMENS	% LAMP	% FIXTURE
0-30	824	14.2	16.8
0-40	1397	24.1	28.5
0-60	2645	45.6	54.0
0-90	4180	72.1	85.3
90-120	622	10.7	12.7
90-150	714	12.3	14.6
90-180	718	12.4	14.7
0-180	4897	84.4	100.0

Lumen Output = 4897 lumens
 Luminaire Efficiency = 84.4%

SPACING CRITERION

ALONG	ACROSS
1.07	1.45

This space is intentionally left blank.

This space is intentionally left blank.

This space is intentionally left blank.

