

MABELL S3

Design by: Manuel Vivian



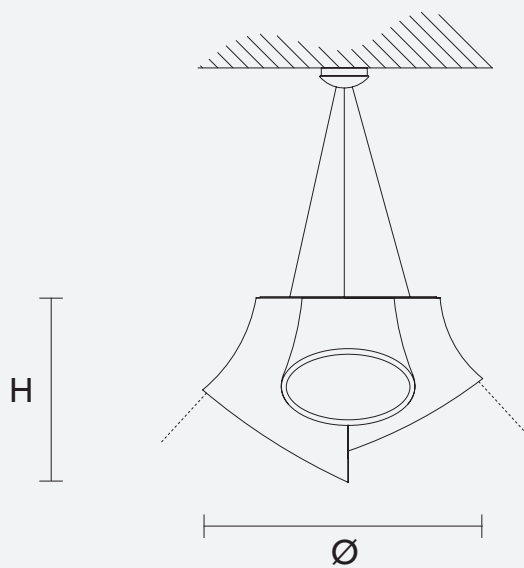
Struttura in poliuretano espanso, diffusore in metacrilato opaco con finitura cromata. Illuminazione LED.

Frame made of expanded polyurethane foam, matt chromed finished methacrylate diffuser. LED lighting system.

Struktur aus Polyurethanschaumstoff, Lichtdiffusor aus matt verchromt gefärbtem Methacrylat. LED-Beleuchtung.

Structure en polyuréthane expansé, diffuseur en méthacrylate chrome mat. LED éclairage.

Estructura en poliuretano espanso, difusor en metacrilato opaco con acabado cromo. Iluminación LED



H 50 cm
19.68"

Ø 85 cm
33.46"

Peso: 00 Imballo: 00
Weight: 00 Packing: 00

Rosone: 00 Ø 00cm
Canopy: 00 Ø 00"

LED 3 LED 36 W tot 3000 K – 4000 lm
inclusi/included



WH-M bianco opaco BK-M nero opaco MOR-M arancio



MGR-M verde MRE-M rosso mattone MYE-M giallo



MVI-M viola MTO-M tortora MBL-M blu