

# HIGH-OUTPUT LED FLOOD LIGHTS AND HIGHBAYS

## StaxMAX™ Series

**HBMB**  
bracket



\*Each StaxMAX™ flood fixture module can be configured with either narrow, medium or wide optics.



**AYMB**  
bracket

**OPTIONAL ADJUSTABLE BRACKET**  
Options E, F shown



**Dimensional Drawings on page 4**

### PRODUCT DESCRIPTION:

Ideal for car dealerships, sports parks, golf driving ranges, facades, general area and high bay appliance, the StaxMAX™ is a unique and flexible system, comprised of self-contained modular elements, allowing variability in both lumen output and light distributions. The StaxMAX™ can be specified in one-, two- or three- 135 watt modules or in a triple 180 watt module configuration where each module can have one or three available optical distributions. In total, the StaxMAX™ is capable of replacing up to 1500W metal halide fixtures.

### FEATURES:

- From 11,760 lumens up to 56,910 lumens
- Modular housing design – up to three modules can be combined
- 22-, 55- and 120-degree open beam for various types of applications
- Standard curved armed or high-bay yoke bracket options
- IP65-rated unit with IP67-rated connections
- Pole tenon mount bracket accessory available
- Discreet J-Box on each frame enables easy field install
- Standard 0-10V dimming available on 120-277V models; 347-480V non-dimming models available
- ≥75,000 hour life (L70)
- Multiple circuits on each module guard against full module light outage
- 4Kv driver integral surge protection standard; 20KV surge protection available
- Optional photo control receptacle
- Heaviest configuration conforms to ANSI C136.31 3G vibration rating standards
- 5 year limited warranty

### MODEL SELECTION (Full list of order codes on pg. 3)

Typical order example: ELLF360UC50HA

ELLF								
FAMILY	POWER, EQUIVALENCY	VOLTAGE	DISTRIBUTION	(CCT)	MOUNTING BRACKET	COLOR	OPTIONS	ID
ELLF= High Output Flood	'180= 180W, 400W MH '360= 360W, 1000W MH '540= 540W, 1500W MH	D= 120-277V, 0-10V dimmable	N= Narrow 22° M= Medium 55° W= Wide 120° C= Custom	*27= 2700K 50= 5000K	(OMIT)= Arch Yoke  H= High Bay	(OMIT)= Gray (Std)	(OMIT)= None  E= (See table) F= (See table)	(OMIT)= None  S= (See table)
	135= 135W, 320-400W MH 270= 270W, 720-800W MH 405= 405W, 1000-1200W MH	*4= 347-480V						

### ACCESSORIES

ORDER CODE	MODEL NUMBER	DESCRIPTION	ACCESSORIES IMAGE
72881	PTMB	Pole Tenon Mount bracket (To be used with HBMB bracket only)	
72882	HBMB	High Bay Mount bracket	

### OPTIONS

E	Adjustable Bracket, Photocontrol Receptacle, 20KV Surge Suppressor, 3 ft - 14 AWG whip - 3 conductor (Black/White/Green)
F	Fixed Bracket, Photocontrol Receptacle, 20KV Surge Suppressor, 3 ft - 14 AWG whip - 3 conductor (Black/White/Green)
S	Adjustable Stencil Bracket w/NEMA wattage designation

### NOTES:

1. <sup>1</sup> Must be combined with Voltage Option D
2. <sup>2</sup> Only available on 135W, 270W, and 405W fixtures
3. <sup>3</sup> Special Order, contact Maxlite for MOQ and leadtime



# HIGH-OUTPUT LED FLOOD LIGHTS AND HIGH BAYS

## StaxMAX™ Series

### SPECIFICATIONS:

		ELLF135XXX	ELLF180XXX	ELLF270XXX	ELLF360XXX	ELLF405XXX	ELLF540XXX
ITEM	SPECIFICATION	DETAILS			DETAILS		
<b>GENERAL PERFORMANCE</b>	Color Temperature (CCT)	5000K			5000K		
	CRI	76			76		
	Lumens Delivered (lm)	Up to 12,400	Up to 18,970	Up to 24,800	Up to 37,940	Up to 37,000	Up to 56,910
	Efficacy (lm/W)	87 to 90	96 to 105	87 to 90	95 to 105	87 to 90	96 to 105
	L70 lifetime @ 25°C	75,000 Hours			75,000 Hours		
<b>ELECTRICAL</b>	Power Consumption	135W	180W	270W	360W	405W	540W
	Power Factor	>0.9			>0.9		
	Input Voltage	120V-277V or 347-480V	120V-277V	120V-277V or 347-480V	120V-277V	120V-277V or 347-480V	120V-277V
<b>PHYSICAL</b>	Dimensions (H" x W" x L")	7.4" x 20.4" x 20.4"	14.5" x 21.4" x 21.1"	19.6" x 21.1" x 21.1"	7.4" x 20.4" x 20.4"	14.5" x 21.4" x 21.1"	19.6" x 21.1" x 21.1"
	EPA	0.9 sq. ft	0.9 sq. ft	1.8 sq. ft	1.8 sq. ft	2.7 sq. ft	2.7 sq. ft
	Weight	14 lbs	14 lbs	26 lbs	26 lbs	37 lbs	37 lbs
	Housing	Die cast aluminum with powder coat paint			Die cast aluminum with powder coat paint		
	Mounting	Module is trunnion mounted to carriage with 270 degree pivoting bolt pattern			Module is trunnion mounted to carriage with 270 degree pivoting bolt pattern		
	Operating Temperature	-30°F to 130°F			-30°F to 130°F		
<b>APPLICATION</b>	Certification	cULus, FCC, LM79, LM80, DLC			cULus, FCC, LM79, LM80, DLC		
	Material Usage	RoHS compliant; no mercury			RoHS compliant; no mercury		
	Environment	IP65			IP65		
	Humidity	5% - 90% RH, non condensing			5% - 90% RH, non condensing		
	Warranty	5 Year			5 Year		



# HIGH-OUTPUT LED FLOOD LIGHTS AND HIGH BAYS

StaxMAX™ Series

## ORDERING\*:

ORDER CODE	MODEL	OPTIONS	MOUNTING	VOLTAGE	BEAM ANGLE	CCT	POWER (W)	OUTPUT (LM)
71928	ELLF135UN50	None	Arch Yoke	120-277	22	5000K	135	12,130
71929	ELLF135UM50	None	Arch Yoke	120-277	55	5000K	135	12,130
71930	ELLF135UW50	None	Arch Yoke	120-277	120	5000K	135	12,130
72817	ELLF1354W50	None	Arch Yoke	347-480	120	5000K	135	12,130
73103	ELLF135UW50H	None	High Bay/Pole Tennon	120-277	120	5000K	135	11,760
71931	ELLF270UN50	None	Arch Yoke	120-277	22	5000K	270	24,260
71932	ELLF270UM50	None	Arch Yoke	120-277	55	5000K	270	24,260
71933	ELLF270UW50	None	Arch Yoke	120-277	120	5000K	270	24,260
72948	ELLF2704W50	None	Arch Yoke	347-480	120	5000K	270	24,260
73051	ELLF2704W50H	None	High Bay/Pole Tennon	347-480	120	5000K	270	23,520
73507	ELLF270UM50H	None	High Bay/Pole Tennon	120-277	55	5000K	270	24,260
74374	ELLF270UM50HB	None	High Bay/Pole Tennon	120-277	55	5000K	270	24,260
75200	ELLF270UM50E	Adjustable Bracket, Photocontrol Receptacle, 20KV Surge Suppressor	Arch Yoke	120-277	55	5000K	270	24,260
75204	ELLF270UM50HE	Adjustable Bracket, Photocontrol Receptacle, 20KV Surge Suppressor	High Bay/Pole Tennon	120-277	55	5000K	270	24,260
71935	ELLF405UM50	None	Arch Yoke	120-277	55	5000K	405	36,390
71936	ELLF405UW50	None	Arch Yoke	120-277	120	5000K	405	36,390
72489	ELLF4054W50	None	Arch Yoke	347-480	120	5000K	405	36,390
72604	ELLF405UC50	None	Arch Yoke	120-277	Custom	5000K	405	36,390
72956	ELLF405UN50H	None	High Bay/Pole Tennon	120-277	22	5000K	405	36,390
75243	ELLF540DM50	None	Arch Yoke	120-277	58	5700K	534	54,000
75244	ELLF540DM50E	Adjustable Bracket, Photocontrol Receptacle, 20KV Surge Suppressor	Arch Yoke	120-277	58	5700K	534	54,000
75245	ELLF540DM50H	None	High Bay/Pole Tennon	120-277	58	5700K	534	54,000
75246	ELLF540DM50HE	Adjustable Bracket, Photocontrol Receptacle, 20KV Surge Suppressor	High Bay/Pole Tennon	120-277	58	5700K	534	54,000
75235	ELLF540DW50	None	Arch Yoke	120-277	111	5700K	543	56,910
75236	ELLF540DW50E	Adjustable Bracket, Photocontrol Receptacle, 20KV Surge Suppressor	Arch Yoke	120-277	111	5700K	543	56,910
75237	ELLF540DW50H	None	High Bay/Pole Tennon	120-277	111	5700K	543	56,910
75238	ELLF540DW50HE	Adjustable Bracket, Photocontrol Receptacle, 20KV Surge Suppressor	High Bay/Pole Tennon	120-277	111	5700K	543	56,910

\*Please contact your MaxLite representative to order products that don't have order codes listed here.

## CONSTRUCTION:

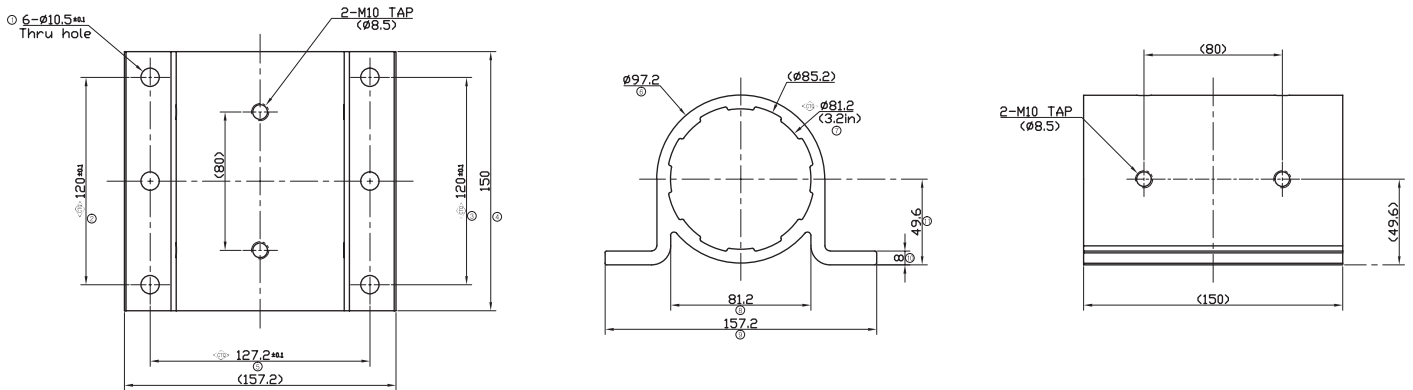
Die cast aluminum body with heat sinking across the full module, enabling a long fixture life

- Stainless steel bushing and adjustment plates
- Tempered glass lens
- Polished and plated optical reflectors
- 6'-18/3 shielded power feed cord included standard
- Yoke mount includes 270 deg. pivot base plate and integrated arm with side protractor for field aiming
- Aluminum Ø3.2" Pole Tenon Slipfitter Mount [Requires a 5.5-6" Tenon]

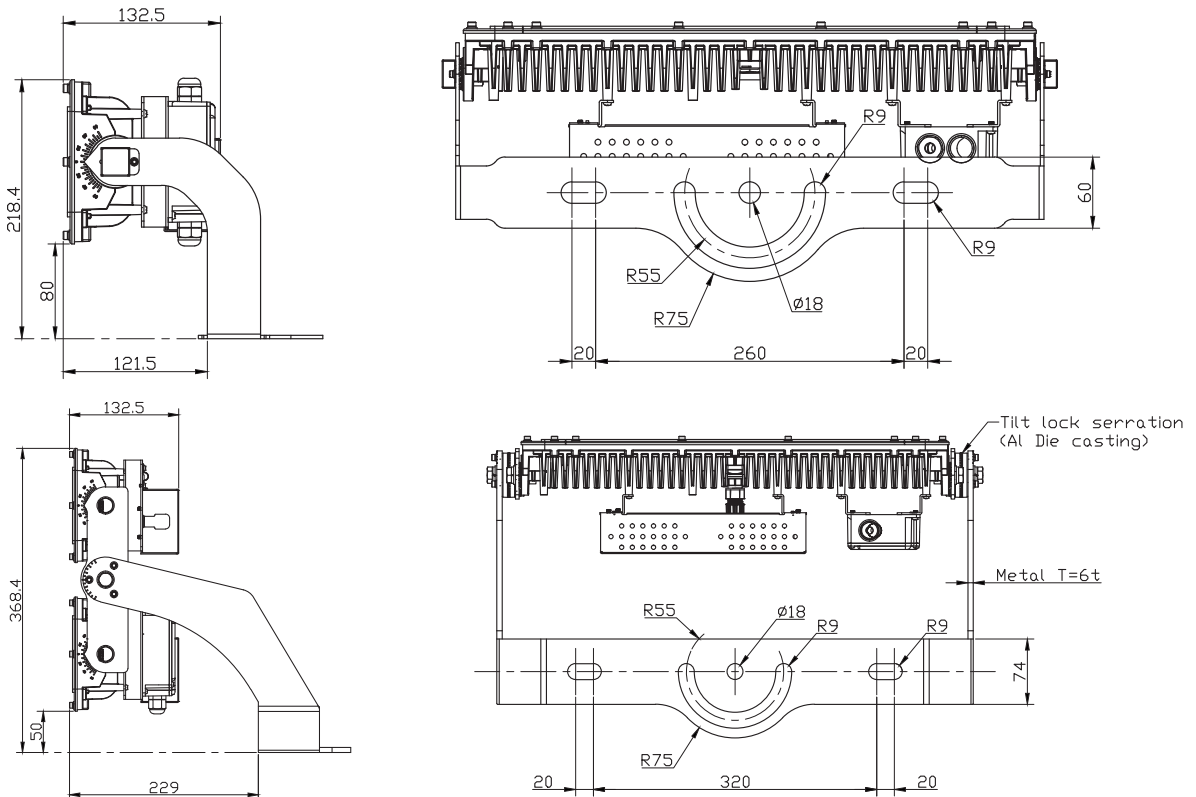
## DIAGRAM DRAWINGS:

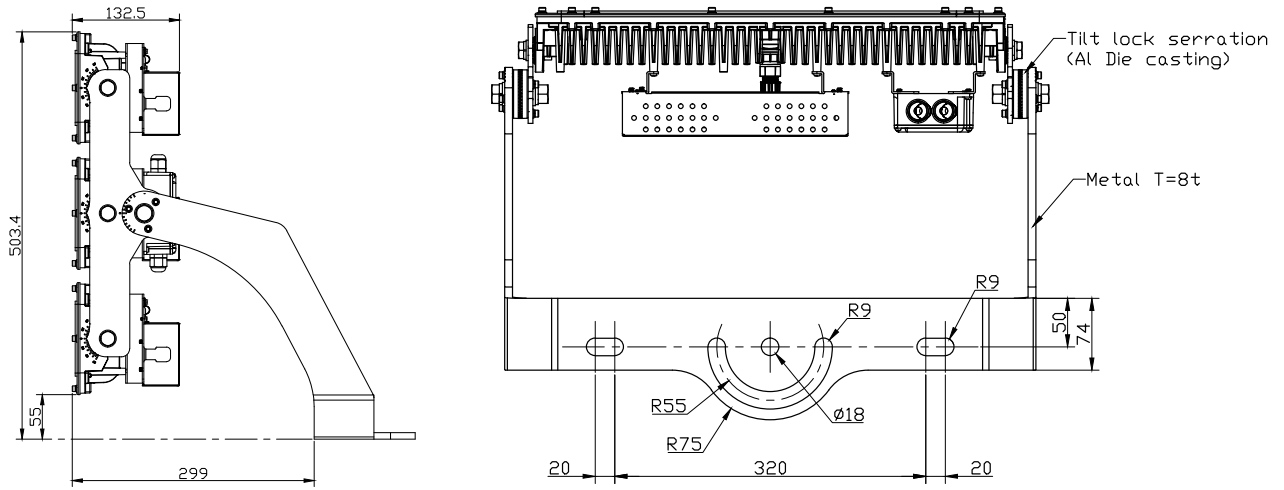
ALL MEASUREMENTS ARE IN MILLIMETER

### PTMB DETAILS



### AYMB DETAILS





## HBMB DETAILS

