

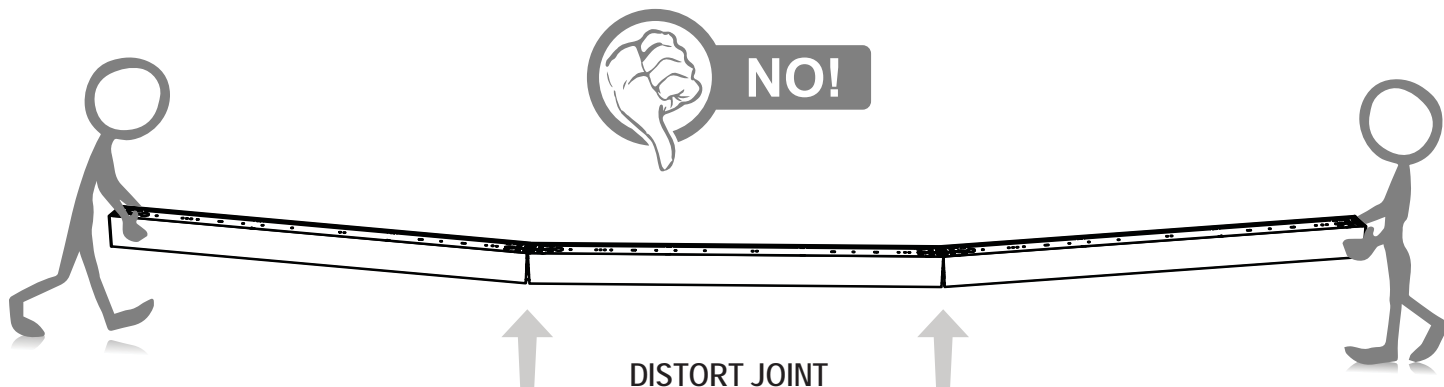


REGOLO GENERAL WARNING

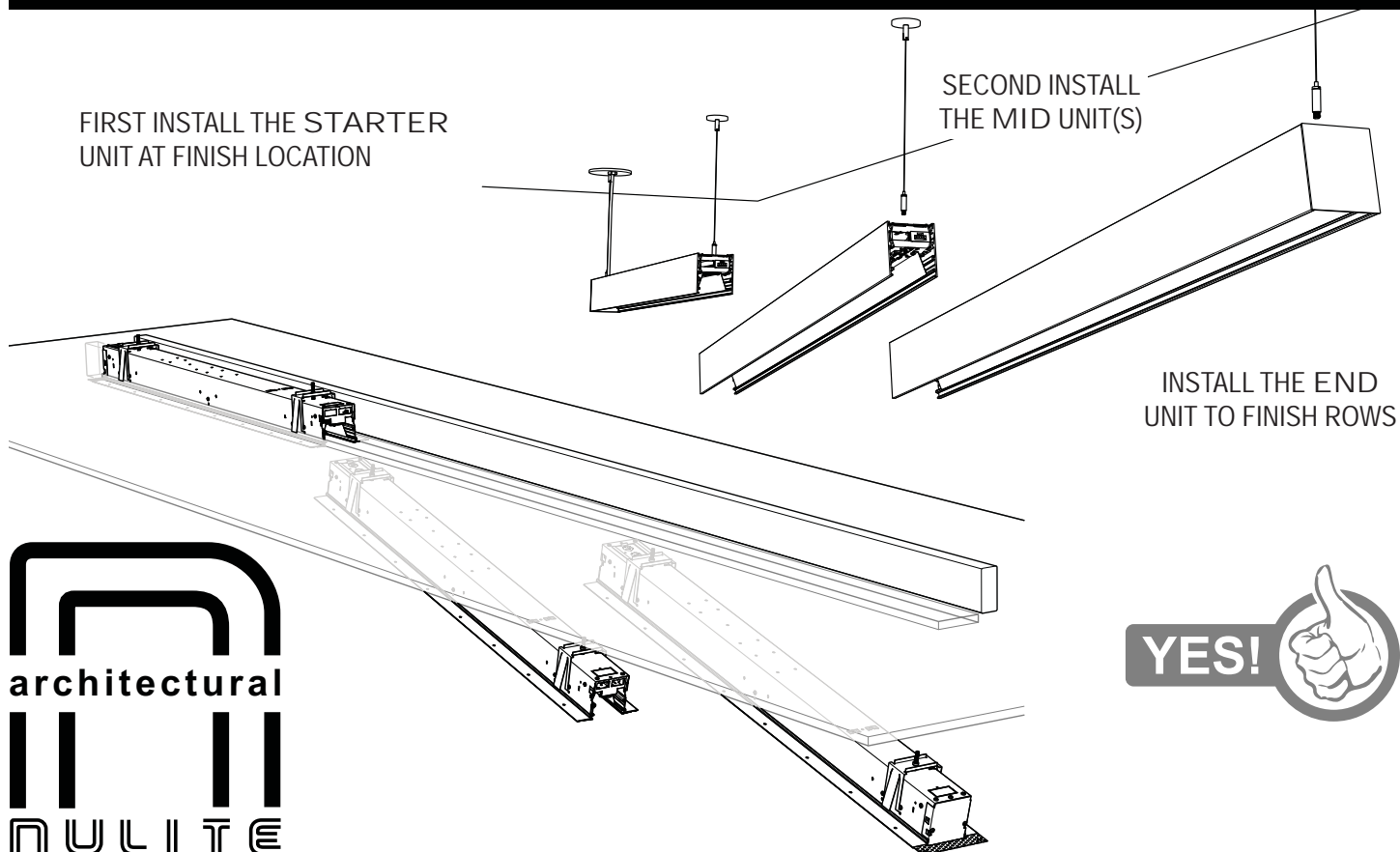


WARNING:

DO NOT ASSEMBLE CONTINUOUS RUN ON THE GROUND AND LIFT INTO PLACE.
JOINTS WILL DISTORT AND NOT CREATE A TIGHT FIT.
JOINING HARDWARE WILL HAVE TO BE PURCHASED AND REPLACED.



FOR PROPER INSTALL INFORMATION SEE
RESPECTIVE SERIES INSTALLATION INSTRUCTIONS.



10770 East 51st Ave, Denver, CO 80239 - Phone (303)287-9646 Fax (303)287-0316

Instructions and dimensions are subject to change without notification. Instruction sheets on our website supersede all other versions.

2016 Rev. A

REGOLO FLANGE

INSTALLATION INSTRUCTIONS - LED

⚠ WARNINGS

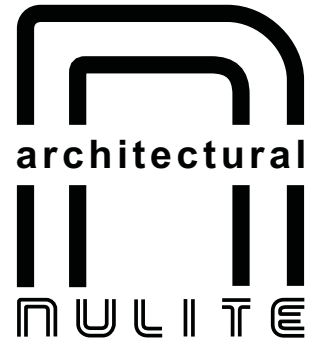
Risk of electrical shock or fire, disconnect power during installation or servicing. Read all instructions completely before starting installation. Install and wire in accordance to all national and local codes by a certified electrician. Fixture may be sharp, handle with care. Let fixture cool before maintenance.

⚠ AVERTISSEMENTS

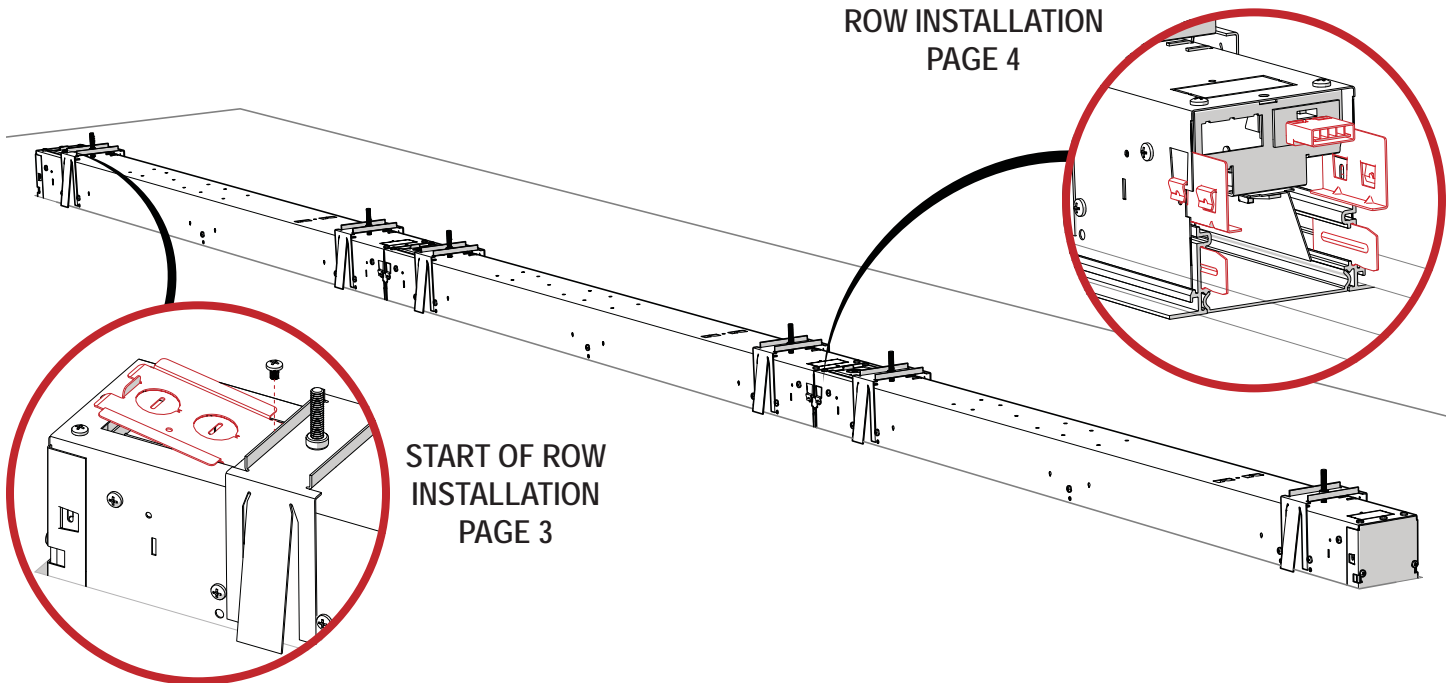
Risque d'électrocution ou d'incendie. Déconnectez l'alimentation durant l'installation ou la maintenance. Lisez attentivement toutes les instructions avant de commencer toute installation. Faites installer et câbler selon les normes Nationales et Locales par un électricien certifié. Les installations peuvent être coupantes, à manipuler avec précaution. Laissez refroidir les installations avant une opération de maintenance.

⚠ ADVERTENCIA

Riesgo de descarga eléctrica o un incendio, desconecte la alimentación durante la instalación o servicio. Leer todas las instrucciones completas antes de emesar la instalación. Instalar y cablear en acuerdo a las reglas nacionales y códigos locales por un electricista certificado. El accesorio puede estar agudo, agarre con cuidado deje que el accesorio. Enfriar antes de mantenimiento.

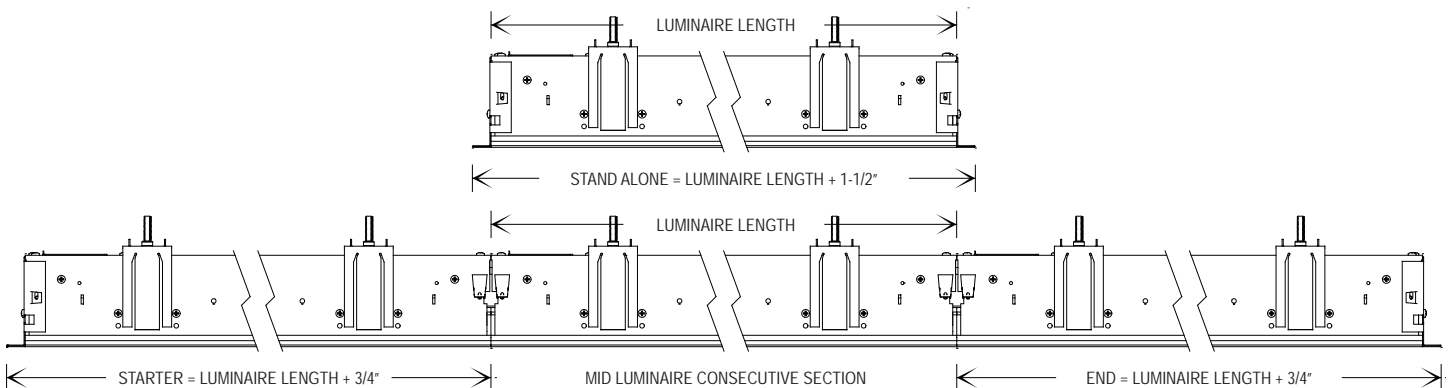


ROW INSTALLATION PAGE 4



LUMINAIRE LAYOUT

⚠ RUN CONFIGURATIONS ARE SPECIFIC TO FACTORY DRAWINGS. CONSULT SUBMITTAL BEFORE BEGINNING INSTALLATION. ⚠

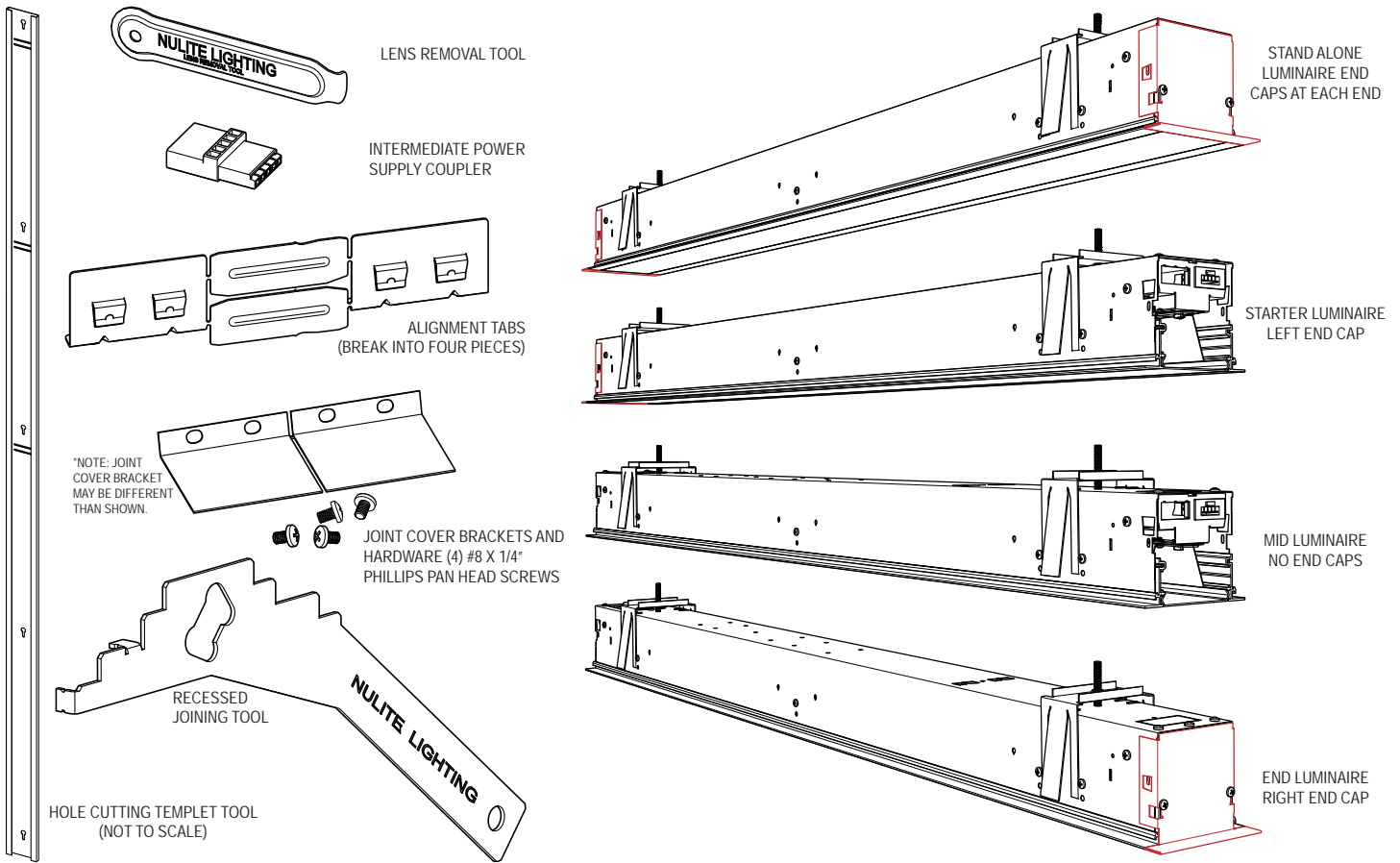


10770 East 51st Ave, Denver, CO 80239 - Phone (303)287-9646 Fax (303)287-0316

Instructions and dimensions are subject to change without notification. Instruction sheets on our website supersede all other versions.

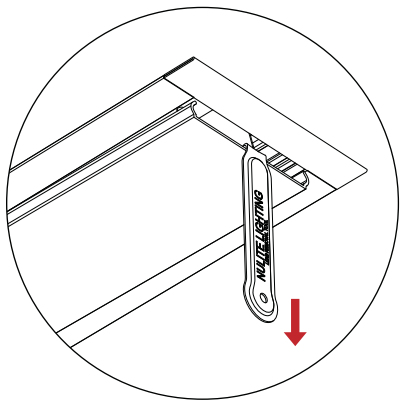
2016 Rev. A

OVERVIEW

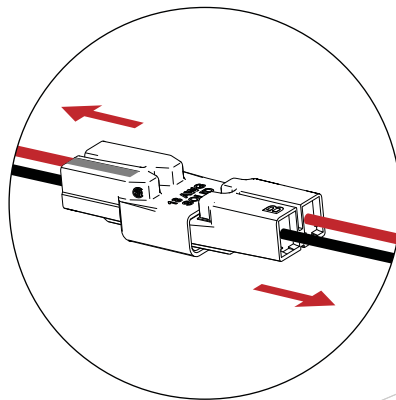


MAINTENANCE

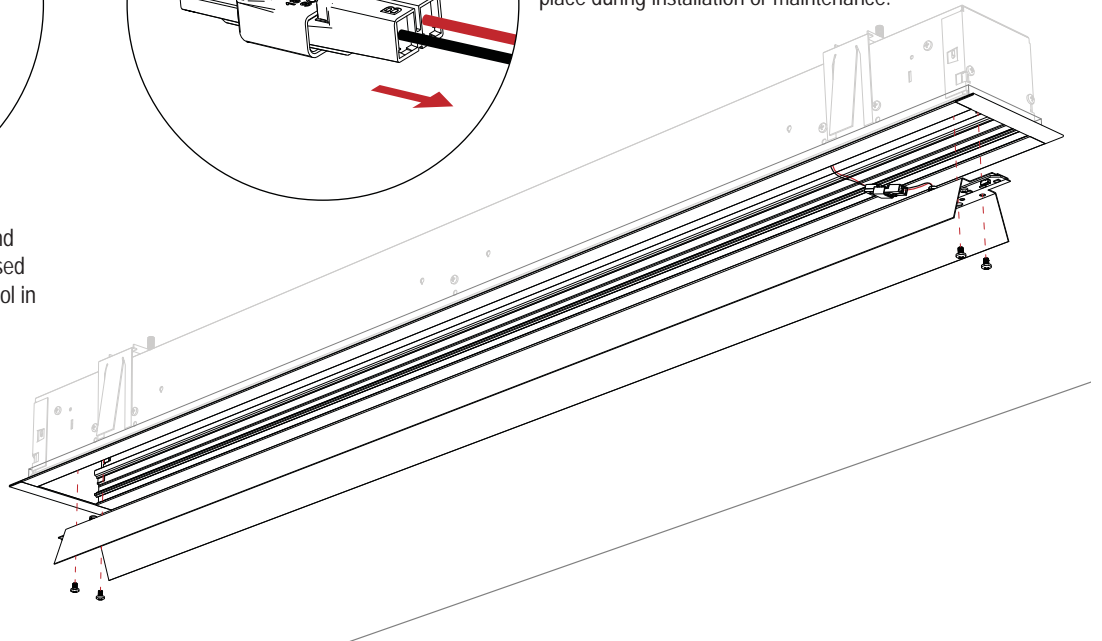
AVOID TOUCHING THE LED BOARDS.



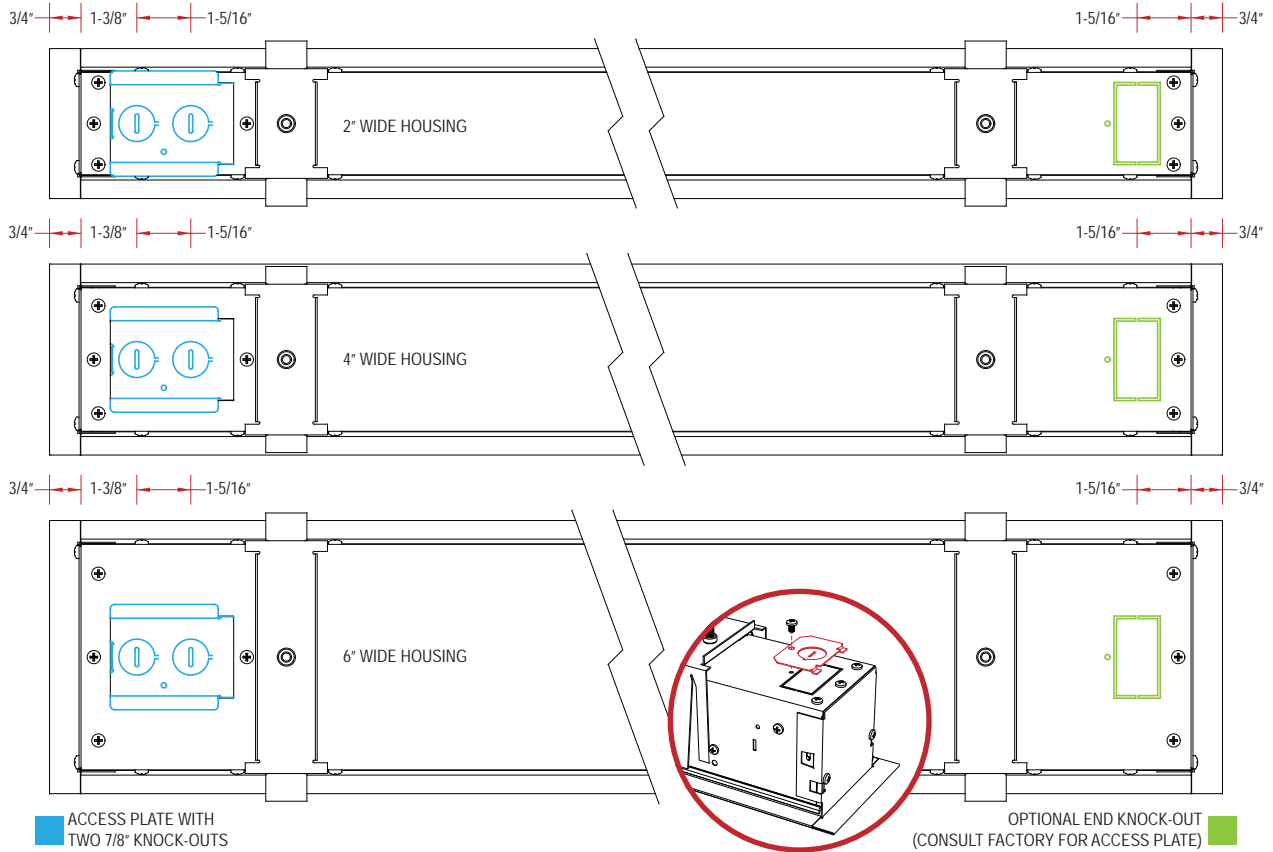
Gently insert lens removal tool at one end of the lens and pull down. Pull the exposed end down and remove lens. Store the tool in a safe place.



If access to wire way is needed, remove the four screws from the LED reflector. To remove the reflector completely, separate the electrical disconnect. Store the reflector in a clean, safe place during installation or maintenance.



PLAN VIEW OF HOUSING BACK



ROW INSTALLATION - INDIVIDUAL INSTALLATION FOLLOW STEPS 1 THROUGH 7

1

START LINE
ROW LENGTH LINE
24"
2"
DO NOT DRIVE THE SCREWS IN COMPLETELY

Snap a center line on the ceiling. Place the first drywall screw 2" in from the start of the row. Space the screws 24" apart for the entire row length.

2

LUMINAIRE HOLE CUTTING TEMPLATE:
Two people are required to use the metal template. A rotary tool with a 1/8" bit is required to cut the luminaire hole.

3

START LINE
START OF ROW
MARKS THE END OF A ROW. DO NOT CUT THROUGH TEMPLATE.

Make the first cut at the start of row line. The cut hole length will be 5/8" longer than the row.

4

2" WIDE HOUSING
2-3/4"

4" WIDE HOUSING
3-3/4"

6" WIDE HOUSING
5-3/4"

5

MOUNTING YOKE

Loosen the yoke screws, nearly flush with the captive nut in yoke.

6

Insert luminaire into ceiling hole. Push up on the yoke bolts.

Make sure yoke legs snap over ceiling.



ROW INSTALLATION - INDIVIDUAL INSTALLATION FOLLOW STEPS 1 THROUGH 7



7

Shift the luminaire to the end of the hole. Secure by tightening the yoke screws simultaneously (*not one at a time*).

8

STARTER LUMINAIRE
INTERMEDIATE POWER SUPPLY COUPLER
MID LUMINAIRE
ALIGNMENT TABS

Align the tabs with the extrusion slots. Make sure the power supply connectors snap together.

9

Install the joiner brackets to secure the luminaires.

10

NULTRAL LIGHTING

11

Install the joint cover brackets with provided #8X1/4" sheet metal screws.