

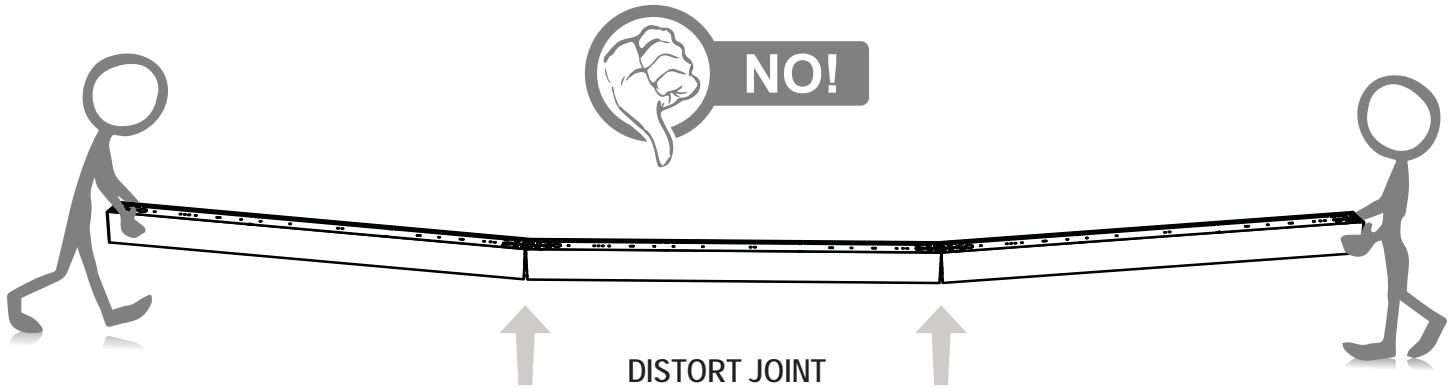


REGOLO GENERAL WARNING

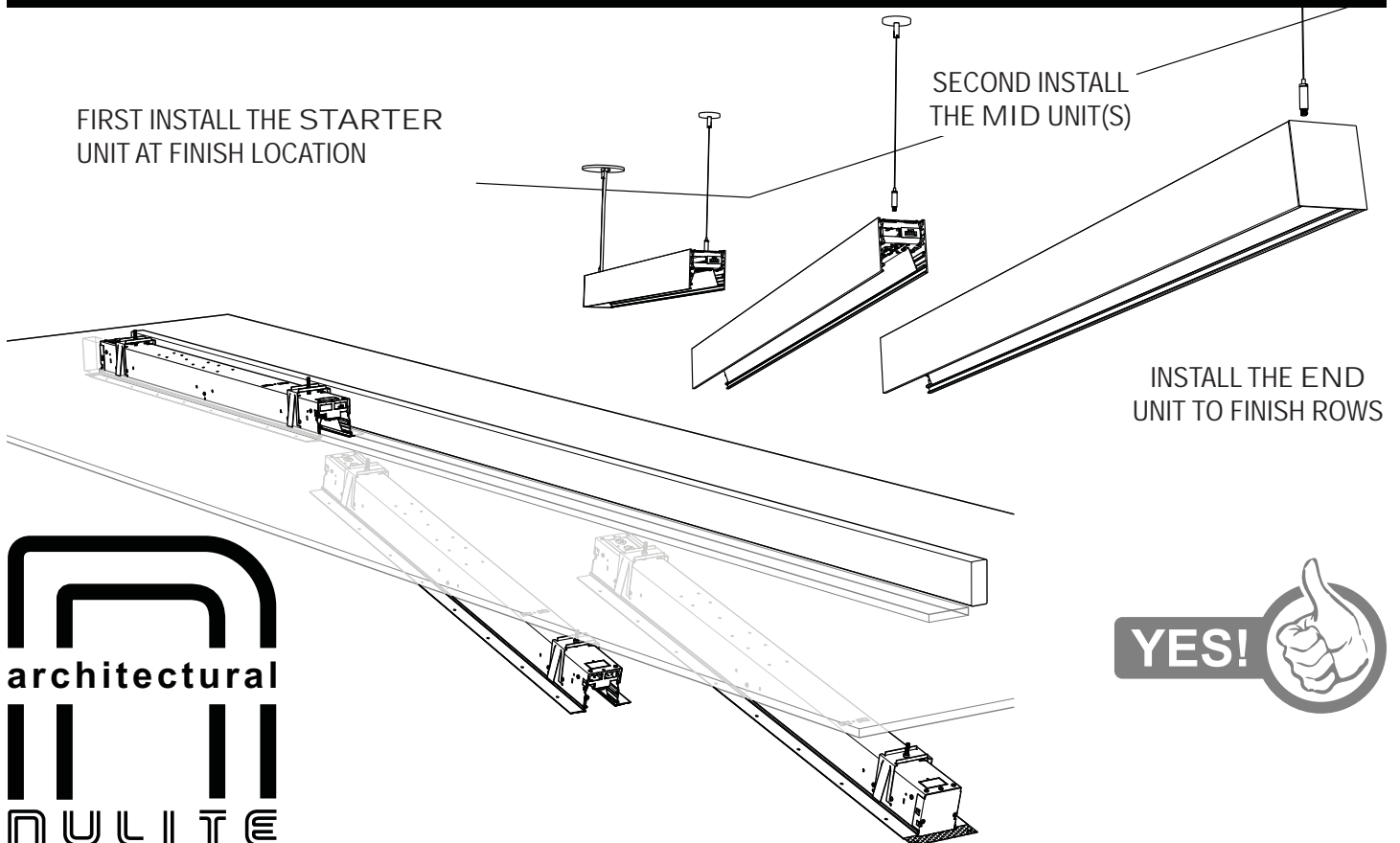


WARNING:

DO NOT ASSEMBLE CONTINUOUS RUN ON THE GROUND AND LIFT INTO PLACE.
JOINTS WILL DISTORT AND NOT CREATE A TIGHT FIT.
JOINING HARDWARE WILL HAVE TO BE PURCHASED AND REPLACED.



FOR PROPER INSTALL INFORMATION SEE
RESPECTIVE SERIES INSTALLATION INSTRUCTIONS.



10770 East 51st Ave, Denver, CO 80239 - Phone (303)287-9646 Fax (303)287-0316

Instructions and dimensions are subject to change without notification. Instruction sheets on our website supersede all other versions.

2016 Rev. A

REGOLO TRIMLESS

INSTALLATION INSTRUCTIONS - LED

⚠️ WARNINGS

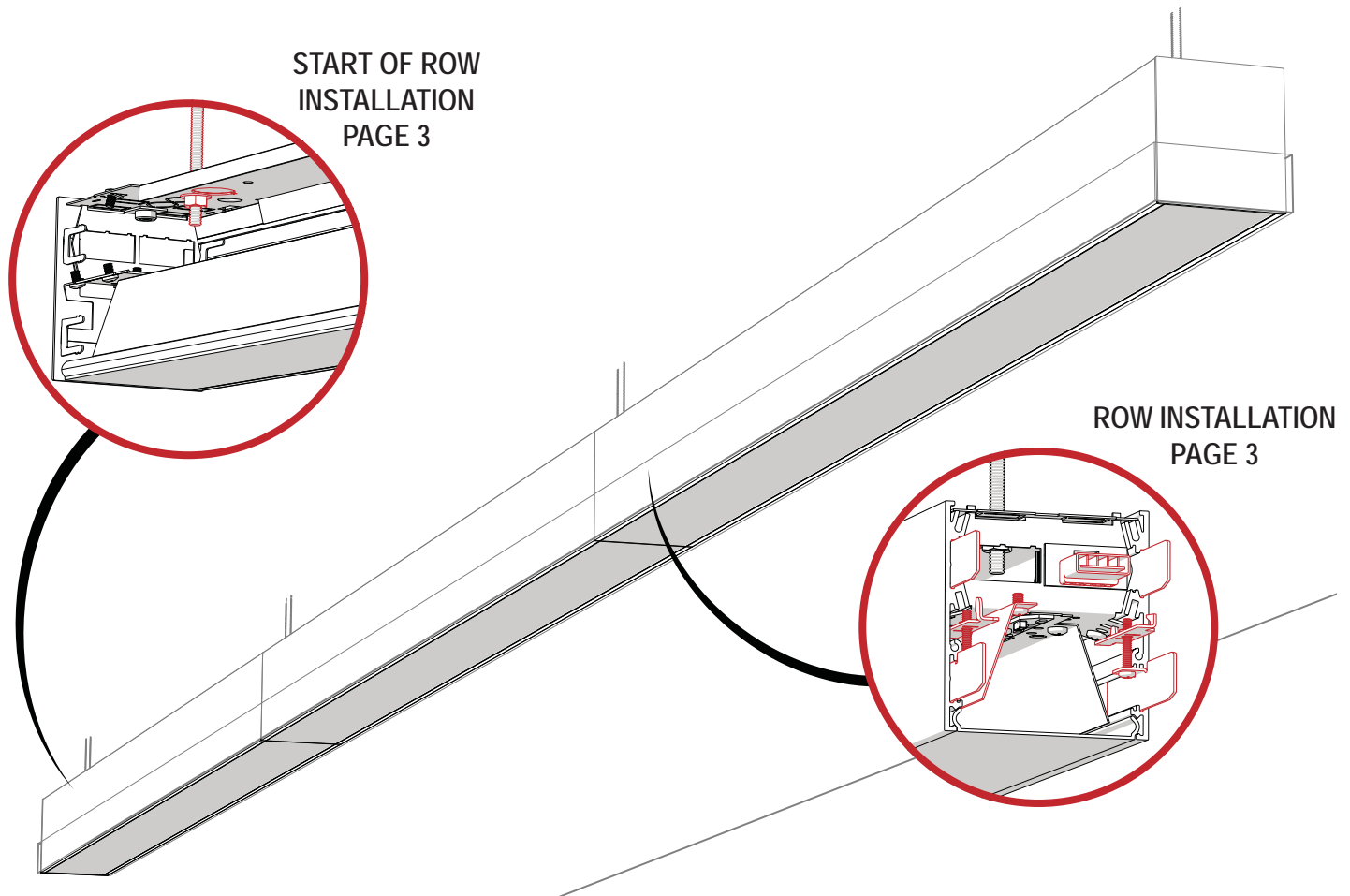
Risk of electrical shock or fire, disconnect power during installation or servicing. Read all instructions completely before starting installation. Install and wire in accordance to all national and local codes by a certified electrician. Fixture may be sharp, handle with care. Let fixture cool before maintenance.

⚠️ AVERTISSEMENTS

Risque d'électrocution ou d'incendie. Déconnectez l'alimentation durant l'installation ou la maintenance. Lisez attentivement toutes les instructions avant de commencer toute installation. Faites installer et câbler selon les normes Nationales et Locales par un électricien certifié. Les installations peuvent être coupantes, à manipuler avec précaution. Laissez refroidir les installations avant une opération de maintenance.

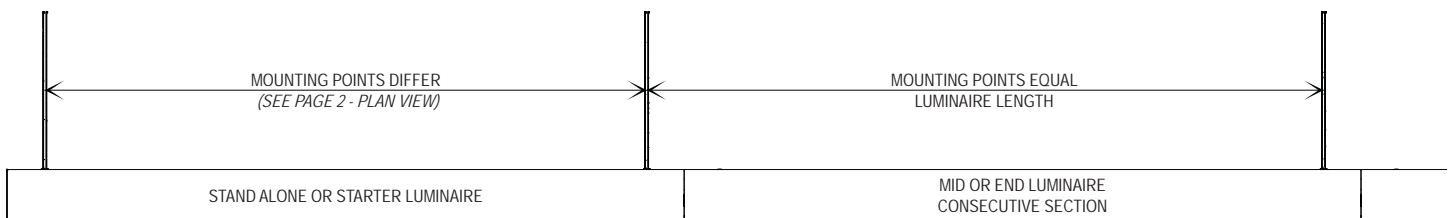
⚠️ ADVERTENCIA

Riesgo de descarga eléctrica o un incendio, desconecte la alimentación durante la instalación o servicio. Leer todas las instrucciones completas antes de emesar la instalación. Instalar y cablear en acuerdo a las reglas nacionales y códigos locales por un electricista certificado. El accesorio puede estar agudo, agarre con cuidado deje que el accesorio. Enfriar antes de mantenimiento.



ALL THREAD LAYOUT

⚠️ RUN CONFIGURATIONS ARE SPECIFIC TO FACTORY DRAWINGS. CONSULT SUBMITTAL BEFORE BEGINNING INSTALLATION. ⚠️

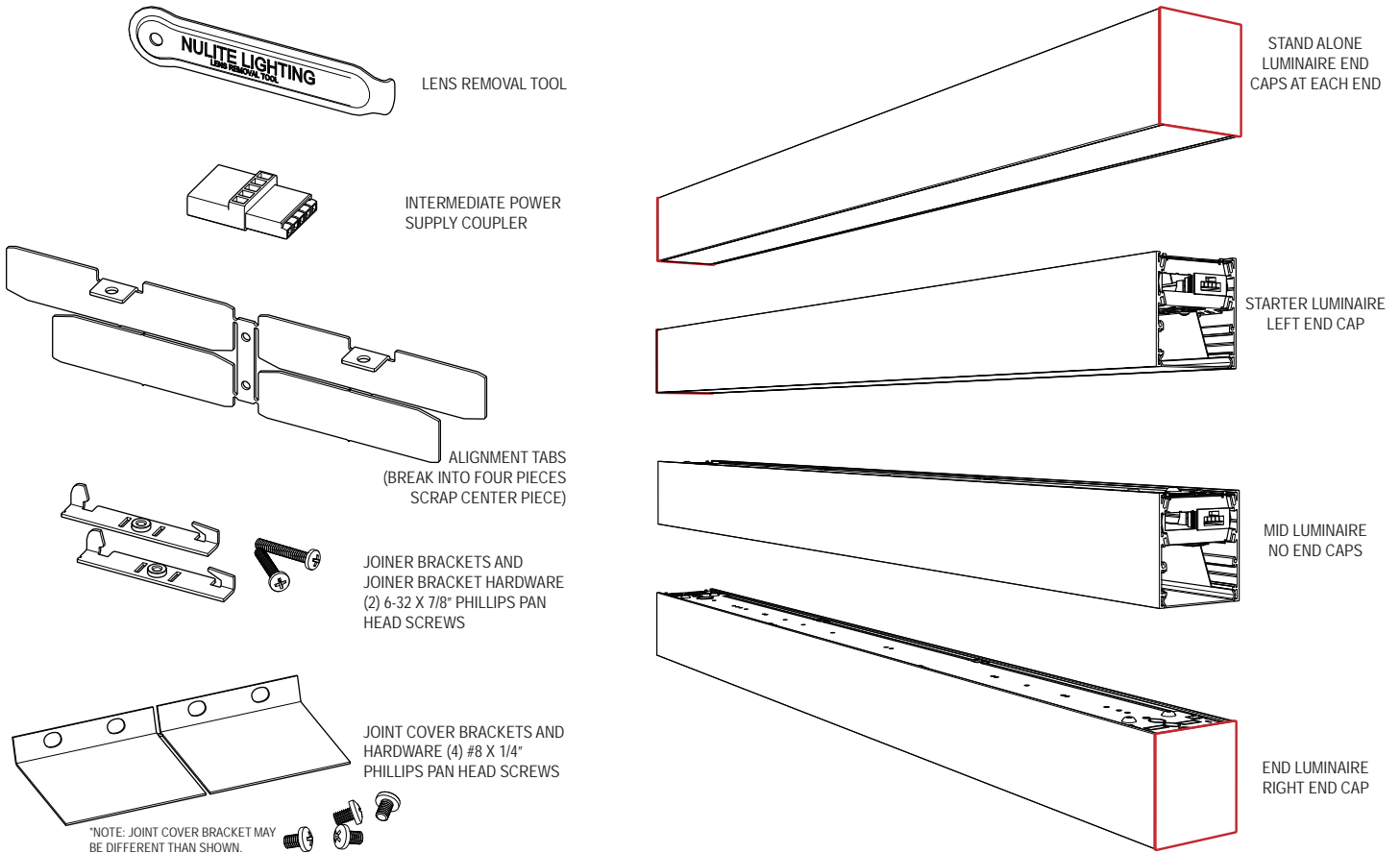


10770 East 51st Ave, Denver, CO 80239 - Phone (303)287-9646 Fax (303)287-0316

Instructions and dimensions are subject to change without notification. Instruction sheets on our website supersede all other versions.

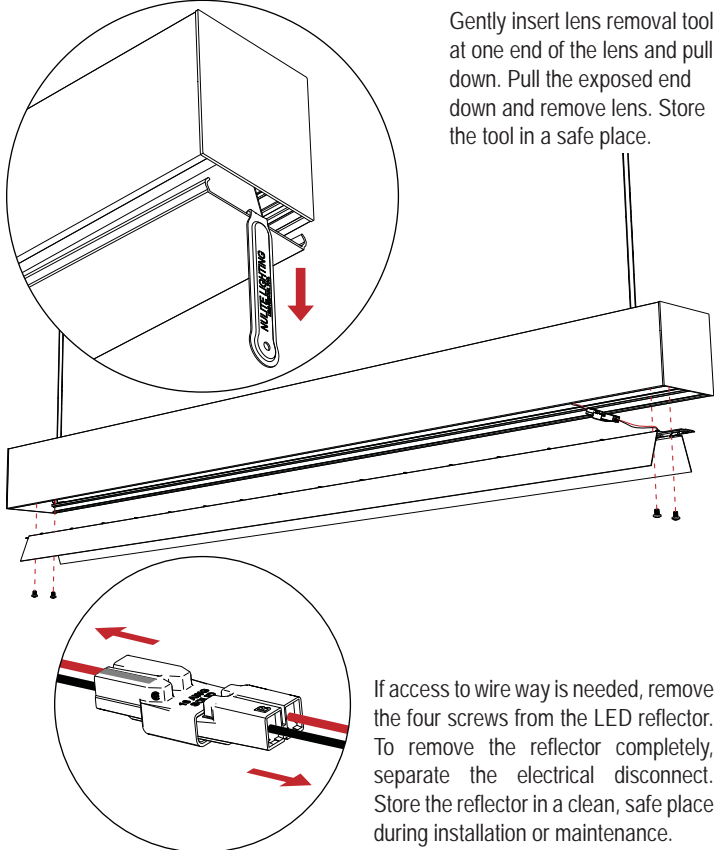
2016 Rev. A

OVERVIEW



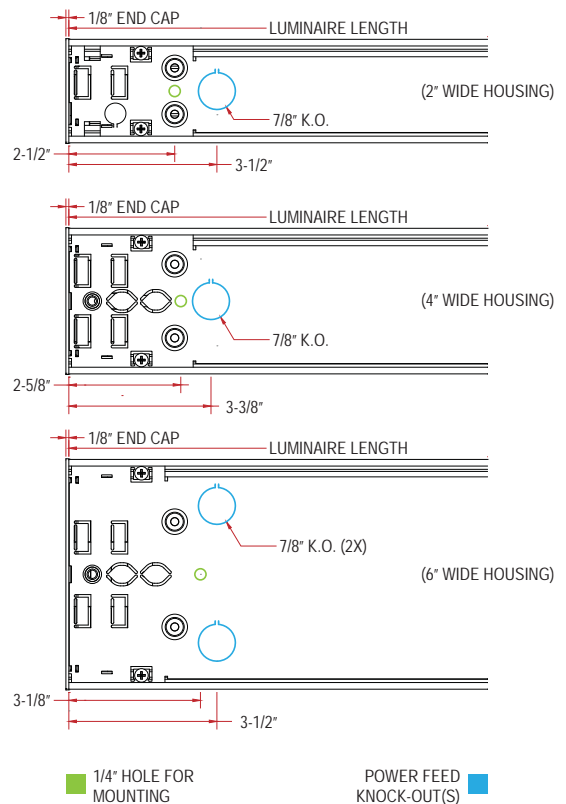
MAINTENANCE

⚠️ AVOID TOUCHING THE LED BOARDS. ⚠️



INSTALLATION

PLAN VIEW OF HOUSING BACK





ROW INSTALLATION - INDIVIDUAL INSTALLATION FOLLOW STEP 1 AND 2



START OF ROW INSTALLATION

OPTIONAL AIRCRAFT CABLE MOUNTING. REFER TO REGOLO PENDANT INSTRUCTIONS

1/4-20 ALL THREAD INTO STRUCTURE BY OTHERS

RECOMMENDED HARDWARE 1/4-20 NUT INSTALL FROM ABOVE LUMINAIRE

RECOMMENDED HARDWARE 1/4-20 NUT AND WASHER INSTALL FROM BELOW LUMINAIRE

