



Type:	Project:	Qty:
	Date:	
Catalog #:		

Description:

The Regolo RF2 LED series is a narrow recessed, nominal 2" wide profile, slot unit designed for inaccessible ceilings. The slender design is ideal for illuminating corridors, private offices, classrooms, lobbies and general purpose rooms.

Specifications:

Construction: The housing consists of visible extruded aluminum flange rails with formed cold rolled steel back channel and heavy gauge end caps. Steel alignment tabs and white snap-in joinder clips are used for continuous row applications. Standard luminaire is finished textured white. Optional flange colors available.

Reflector / Driver: Reflector / driver cover is finished with high reflectance white paint. Standard constant current electronic driver with 0-10V dimming input; dimming range from 100% down to 10%. Universal (UNV) voltage is from 120 - 277V, 50/60 Hz.

Shielding: Extruded frosted or satin white acrylic snap-in lens with DR.

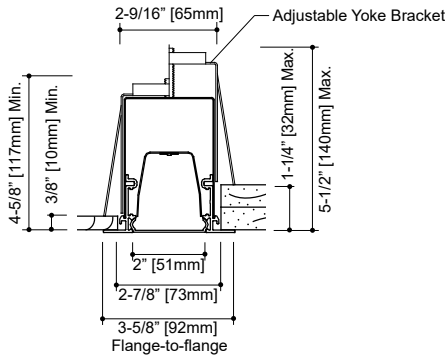
LED Module: Distributed LED array in a variety of lumen output packages. LED color is available in (L30) 3000K, (L35) 3500K or (L40) 4000K. Module is replaceable. L90 ≥ 100,000 hours.

Mounting: Inaccessible ceiling types. Non-IC rated. Individual mount or continuous runs.

Labels: ETL listed, conforms to UL Standard 1598 / 8750 and CSA Standard C22.2, Damp location.

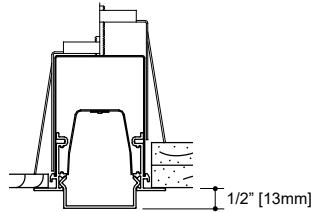
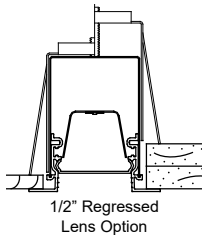
Warranty: 5-year limited warranty on LED and Driver.

Flush Lens



Regressed Lens

Drop Lens Option



Ordering Information

Sample: RF2-06L35-UNV-D-1C-STR-WH-20'

Series	Lumen Package ² / Color	Voltage	Driver	Circuit	Shielding/Position	Color	Length	Options	
RF2 ¹									
RF2 (Flange - Nom. 2")	03 (~393 lm/ft, 3.28W/ft)	L30	UNV	Dimming (0-10V)	1C Single Circuit 1E ⁵ Single Circuit w/ EM Circuit 1B ⁵ Single Circuit w/ Battery Pack	FR (Frosted) ST (Satin White) F (Flush lens) R ⁶ (Regressed lens) D (Opaque Ends Drop lens) L (Luminous Ends Drop lens)	WH (White Flange Standard) BZ (Bronze Flange) SV (Silver Flange) CC (Custom Color)	2' 3' 4' 5' 6' 7' 8' Continuous Runs⁷ XX' Specify run length in 1 foot increments. Consult factory for custom lengths.	CP Chicago Plenum SHW Shallow in Wall (see page 3) OS ⁸ End of run Occupancy Sensor DS ⁸ End of run Daylight Sensor FLEX 6' of Flex GLR Fusing See Accessories for Corners
	05 (~573 lm/ft, 4.85W/ft)	L35	120	D ³ (Dim to 10%) D1 ⁴ (Dim to 1%) D0 ⁴ (Dim to 0%)					
	06 (~732 lm/ft, 6.38W/ft)	L40	277						
	09 (~886 lm/ft, 7.79W/ft)								
	Consult Factory for Custom Lumen Package								
				Lutron Dimming					
				See Page 2 for Ordering Codes					
				DALI Dimming					
				eldoLED ECOdrive ELE (Dim to 1%) eldoLED SOLOdrive ELS (Dim to 0%)					



Notes:

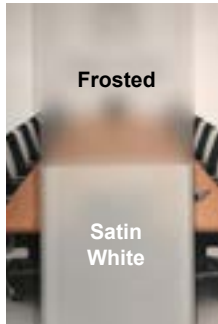
- Some products are DesignLights Consortium™ Qualified, refer to www.designlights.org Qualified Products List.
- Nominal lumen output per foot for frosted lens and 3500K.
- Standard driver, don't connect low-voltage wires for non-dimming applications. Consult factory for specifications and manufacturer.
- Consult factory for specifications and manufacturer.
- This circuiting option does NOT come with a plug-in wire connector between units. Contractor must field wire.
- We recommend our Satin White lens for the Regressed position.
- 6" increments are common custom lengths. We can provide custom run length down to the nearest (+/- 1/8").
- Not available with Drop Lens.



Specifications and dimensions are subject to change without notification. Specification sheets on our website supersede all other versions. 2016 Rev. D Nulite reserves the right to bulk package any order.

Lens Options

Shielding



Frosted Lens
This diffuser is designed for a balance between efficiency and lens uniformity. (Transmission ~ 89%)

Satin White Lens
This diffuser is designed for visible lens uniformity. It's recommended for regressed lens configuration in our shallow housing. (Transmission ~ 69%)

1/2" Drop Len Options

"D" Opaque Metal End Drop Lens

"L" Luminous Acrylic End Drop Lens



Lutron Driver Ordering Codes

Nulite Code	Lutron Prefix	Lutron Series	Dim Level	Control Type	
				3-Wire	Eco-System™
L11	L3DAE	Hi-lume™	1%		Yes
L12	L3DA3W	Hi-lume™	1%	Yes	
L15	LDE1*	Hi-lume™ - H Series	1%		Yes
L16	LDE5	5-Series	5%		Yes

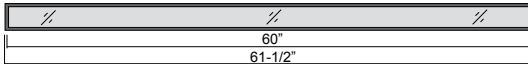
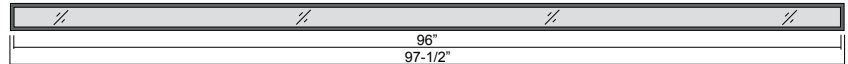
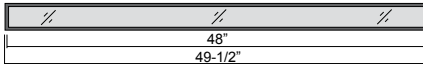
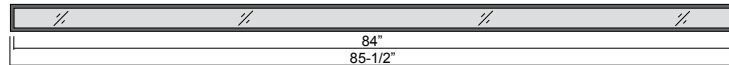
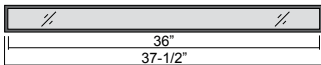
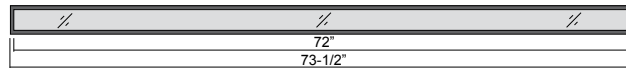
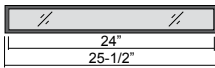
* Soft-on, Fade-to-Black™

Sensor Option



Occupancy and/or Daylight Sensor (Surface Mount 4" Shown)

Individual Lengths



Continuous Run Lengths

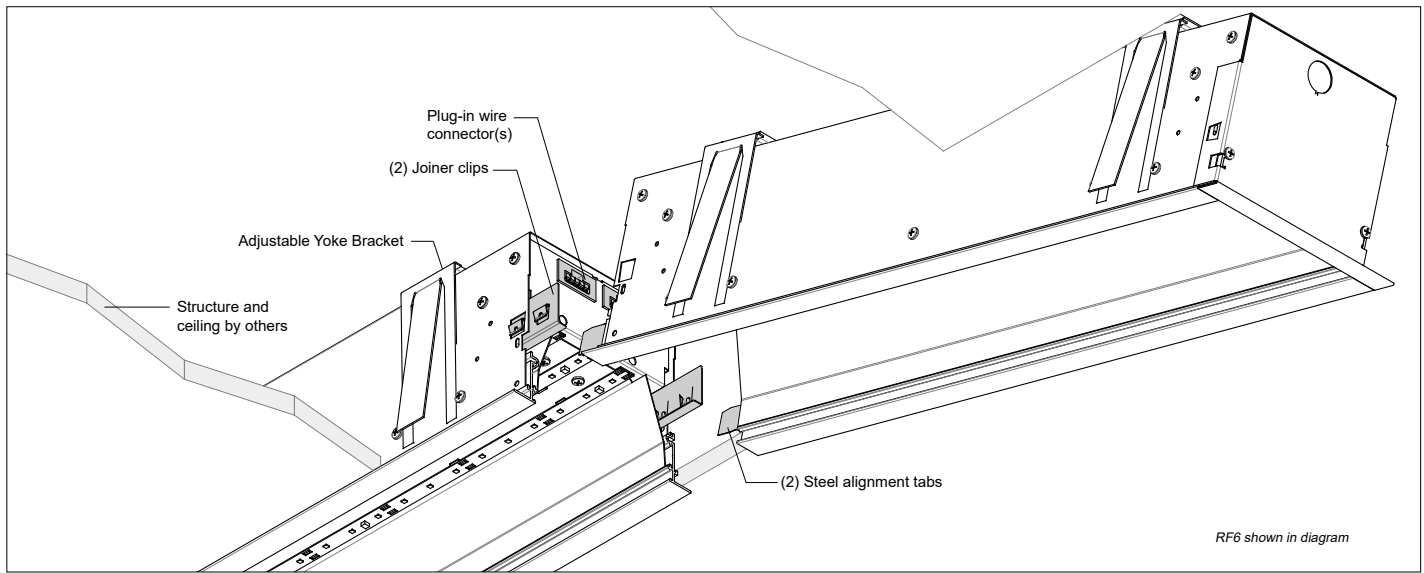
Run Length

Number of Housings	Run Length																																																
	2'	3'	4'	5'	6'	7'	8'	9'	10'	11'	12'	13'	14'	15'	16'	17'	18'	19'	20'	21'	22'	23'	24'	25'	26'	27'	28'	29'	30'	31'	32'	33'	34'	35'	36'	37'	38'	39'	40'	41'	42'	43'	44'						
2'	1																																																
3'		1																																															
4'			1				1	1	1	1						1	1	1	1					1	1	1	1				1	1	1	1							1	1	1	1					
5'				1				1			1						1			1					1	1	1	1				1										1							
6'					1				1			1					1				1					1	1	1	1				1											1					
7'						1				1			1					1				1					1	1	1	1				1											1				
8'							1				1	1	1	1	1	2	1	1	1	1	2	2	2	2	3	2	2	2	2	3	3	3	3	4	3	3	3	3	4	4	4	4	4	5	4	4	4	4	5

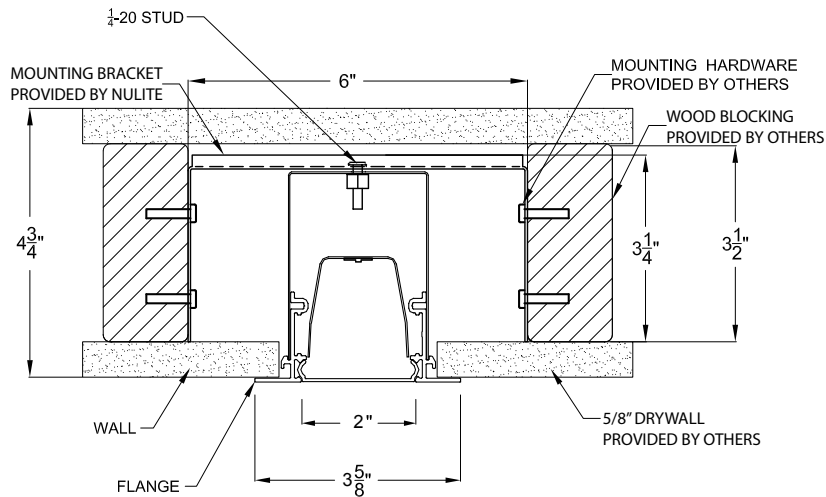
Run length doesn't include overlapping flange.

Specifications and dimensions are subject to change without notification.

Continuous Row Joiner Detail



Shallow in Wall Mount



Photometric Curves

Cat. # RF2-05L35-...-FRF-...-4'
 Frosted Flush Lens
 Wattage/ft - 4.85
 Lumens/Watt - 118

