

Type:	Project:	Qty:
	Date:	
Catalog #:		

Description:

The Regolo RF4 LED series is a recessed, nominal 4" wide profile, slot unit designed for inaccessible ceilings. The slender design is ideal for corridors, open and private offices, classrooms, lobbies and general purpose rooms.

Specifications:

Construction: The housing consists of visible extruded aluminum flange rails with formed cold rolled steel back channel and heavy gauge end caps. Steel alignment tabs and white snap-in joiner clips are used for continuous row applications. Standard luminaire is finished textured white. Optional flange colors available.

Reflector / Driver: Reflector / driver cover is finished with high reflectance white paint. Optional asymmetric semi-specular aluminum reflector. Standard constant current electronic driver with 0-10V dimming input; dimming range from 100% down to 10%. Universal (UNV) voltage is from 120 - 277V, 50/60 Hz.

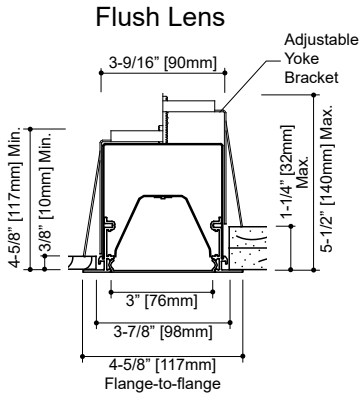
Shielding: Extruded frosted or satin white acrylic snap-in lens with DR.

LED Module: Distributed LED array in a variety of lumen output packages. LED color is available in (L30) 3000K, (L35) 3500K or (L40) 4000K. Module is replaceable. L90 ≥ 100,000 hours.

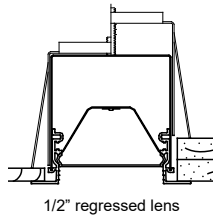
Mounting: Inaccessible ceiling types. Non-IC rated. Individual mount or continuous runs.

Labels: ETL listed, conforms to UL Standard 1598 / 8750 and CSA Standard C22.2, Damp location.

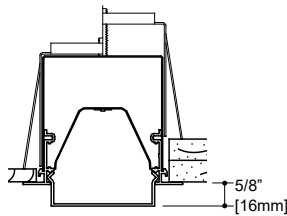
Warranty: 5-year limited warranty on LED and Driver.



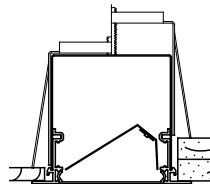
Regressed Lens



Drop Lens Option



ASYM Option



Ordering Information

Sample: RF4-10L35-UNV-D0-1C-STF-WH-8'-OS

Series	Lumen Package ² / Color	Voltage	Driver	Circuit	Shielding/Position	Color	Length	Options
RF4 ¹								
RF4 (Flange - Nom. 4")	03 (~390 lm/ft, 3.28W/ft)	L30	UNV	1C Single Circuit 1E Single Circuit w/ EM Circuit 1B Single Circuit w/ Battery Pack	FR (Frosted) ST (Satin white) D (Opaque Metal End Drop lens) L (Luminous Acrylic End Drop lens)	F (Flush lens)	2'	CP Chicago Plenum SHW Shallow in Wall (see page 3) OS ⁷ End of run Occupancy Sensor DS ⁷ End of run Daylight Sensor FLEX 6' of Flex ASYM ⁸ Asymmetric Reflector GLR Fusing See Accessories for Corners and Downlight Modules
	05 (~569 lm/ft, 4.85W/ft)	L35	120			R ⁵ (Regressed lens)	3'	
	06 (~724 lm/ft, 6.38W/ft)	L40	277			BZ (Bronze Flange)	4'	
	09 (~899 lm/ft, 7.79W/ft)					SV (Silver Flange)	5'	
	10 (~1036 lm/ft, 9.39W/ft)					CC (Custom Color)	6'	
							7'	
							8'	
							Continuous Runs⁶	
							XX' Specify run length in 1 foot increments. Consult factory for custom lengths.	

SHOP NOW >

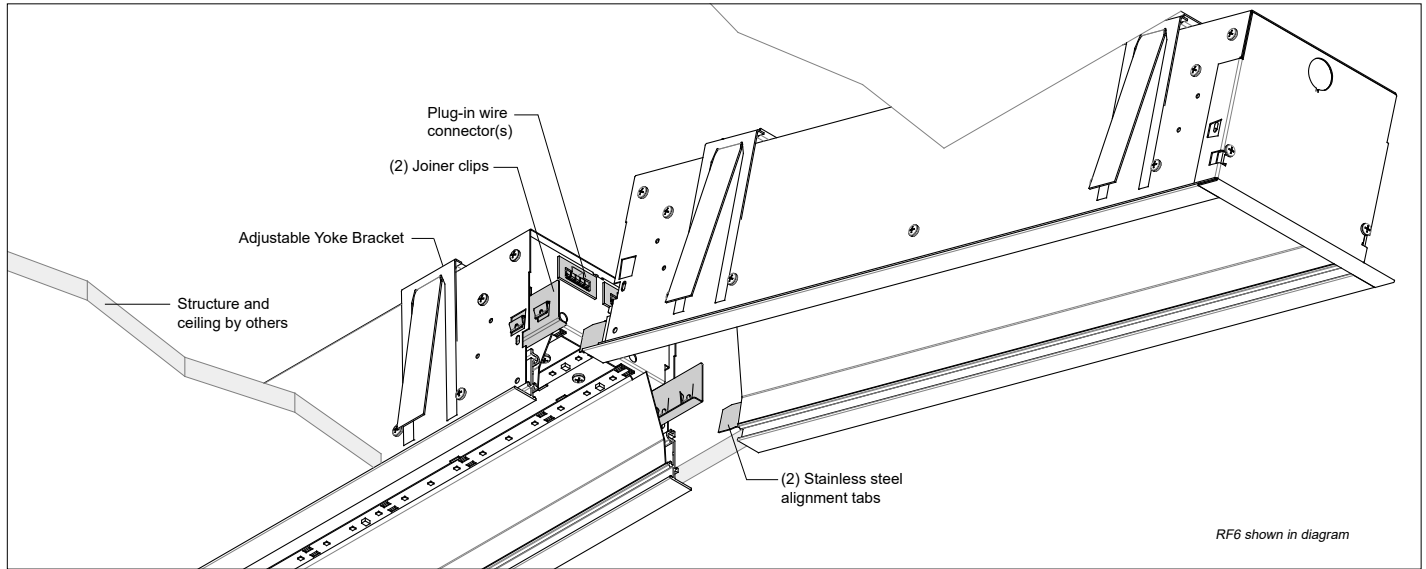
Notes:

- Some products are DesignLights Consortium™ Qualified, refer to www.designlights.org Qualified Products List.
- Nominal lumen output per foot for frosted lens and 3500K.
- Standard driver, don't connect low-voltage wires for non-dimming applications. Consult factory for specifications and manufacturer.
- Consult factory for specifications and manufacturer.
- We recommend our Satin White lens for the Regressed position.
- 6" increments are common custom lengths. We can provide custom run length down to the nearest (+/- 1/8").
- Not available with Drop Lens.
- Only available with Frosted Flush Lens.

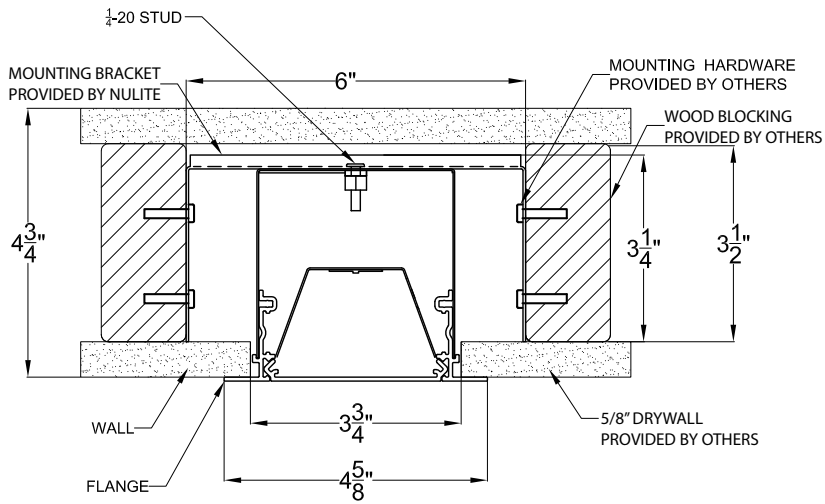


Specifications and dimensions are subject to change without notification. Specification sheets on our website supersede all other versions. 2016 Rev. D1 Nulite reserves the right to bulk package any order.

Continuous Row Joiner Detail

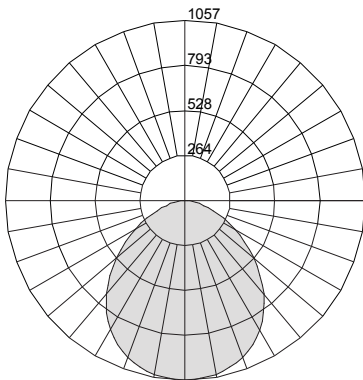


Shallow in Wall Mount

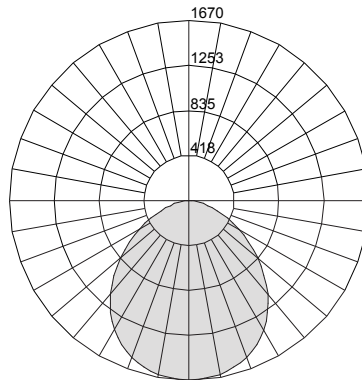


Photometric Curves

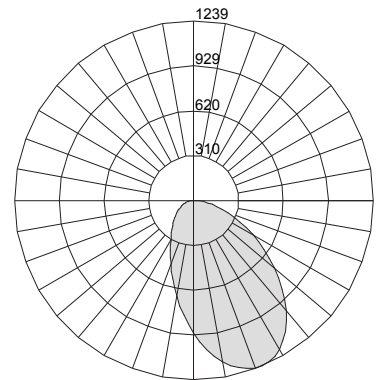
Cat. # RF4-05L35-...-FRF-...-4'
 Frosted Flush Lens
 Wattage/ft - 4.85
 Lumens/Watt - 117



Cat. # RF4-09L35-...-FRF-...-4'
 Frosted Flush Lens
 Wattage/ft - 7.79
 Lumens/Watt - 115



Cat. # RF4-05L40-...-FRF-...-4'-ASYM
 Frosted Flush Lens
 Wattage/ft - 5.25
 Lumens/Watt - 110



Specifications and dimensions are subject to change without notification.