

Type:	Project:	Qty:
	Date:	
Catalog #:		

Description:

The Regolo RF6 LED series is a recessed, nominal 6" wide profile, slot unit designed for inaccessible ceilings. The product is ideal for illuminating corridors, open and private offices, classrooms, lobbies and general purpose rooms.

Specifications:

Construction: The housing consists of visible extruded aluminum trim rails with formed cold rolled steel back channel and heavy gauge end caps. Steel alignment tabs and white snap-in joiner clips are used for continuous row applications. Luminaire is finished textured white. Optional flange colors available.

Reflector / Driver: Reflector / driver cover is finished with high reflectance white paint. Optional asymmetric semi-specular aluminum reflector. Standard constant current electronic driver with 0-10V dimming input; dimming range from 100% down to 10%. Universal (UNV) voltage is from 120 - 277V, 50/60 Hz.

Shielding: Extruded frosted or satin white acrylic snap-in lens with DR.

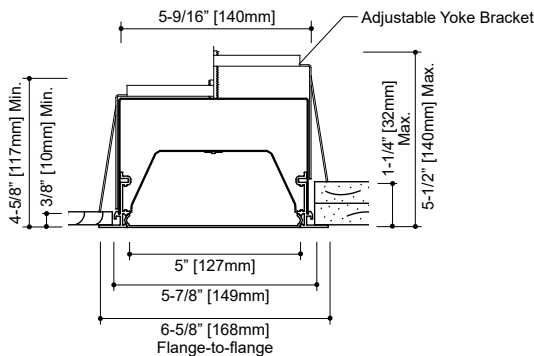
LED Module: Distributed LED array in a variety of lumen output packages. LED color is available in (L30) 3000K, (L35) 3500K or (L40) 4000K. Module is replaceable. L90 ≥ 100,000 hours.

Mounting: Inaccessible ceiling types. Non-IC rated. Individual mount or continuous runs.

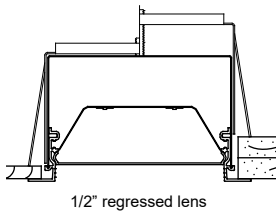
Labels: ETL listed, conforms to UL Standard 1598 / 8750 and CSA Standard C22.2, Damp location.

Warranty: 5-year limited warranty on LED and Driver.

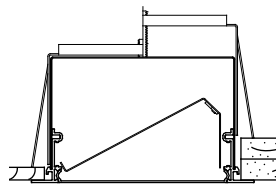
Flush Lens



Regressed Lens



ASYM Option



Ordering Information

Sample: RF6-10L35-UNV-D-1C-STR-SV-4'

Series	Lumen Package ² / Color	Voltage	Driver	Circuit	Shielding/Position	Color	Length	Options
RF6 ¹								
RF6 (Flange - Nom. 6")	05 (~571 lm/ft, 4.85W/ft)	L30	UNV	Dimming (0-10V)	1C Single Circuit FR (Frosted) 1E Single Circuit w/ EM Circuit ST (Satin White) 1B Single Circuit w/ Battery Pack	F (Flush lens)	WH (White Flange Standard) BZ (Bronze Flange) SV (Silver Flange) CC (Custom Color)	2' 3' 4' 5' 6' 7' 8' Continuous Runs ⁶ XX' Specify run length in 1 foot increments. Consult factory for custom lengths.
	06 (~728 lm/ft, 6.38W/ft)	L35	120	D ³ (Dim to 10%)		R ⁵ (Regressed lens)		
	09 (~882 lm/ft, 7.79W/ft)	L40	277	D1 ⁴ (Dim to 1%)				
	10 (~1035 lm/ft, 9.39W/ft)			D0 ⁴ (Dim to 0%)				
	13 (~1269 lm/ft, 11.6W/ft)			Lutron Dimming				
	17 (~1576 lm/ft, 14.6W/ft)			See Page 2 for Ordering Codes				
				DALI Dimming				
			eldoLED ECOdrive ELE (Dim to 1%) eldoLED SOLOdrive ELS (Dim to 0%)					

SHOP NOW >

Notes:

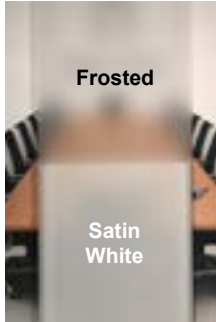
1. Some products are DesignLights Consortium™ Qualified, refer to www.designlights.org Qualified Products List.
2. Nominal lumen output per foot for frosted lens and 3500K.
3. Standard driver, don't connect low-voltage wires for non-dimming applications. Consult factory for specifications and manufacturer.
4. Consult factory for specifications and manufacturer.
5. We recommend our Satin White lens for the Regressed position.
6. 6" increments are common custom lengths. We can provide custom run length down to the nearest (+/- 1/8").
7. Only available with Frosted Flush lens.



Specifications and dimensions are subject to change without notification. Specification sheets on our website supersede all other versions. 2016 Rev. D1 Nulite reserves the right to bulk package any order.

Lens Options

Shielding



Frosted Lens

This diffuser is designed for a balance between efficiency and lens uniformity. (Transmission ~ 89%)

Satin White Lens

This diffuser is designed for visible lens uniformity. It's recommended for regressed lens configuration in our shallow housing. (Transmission ~ 69%)

Position

Regressed Lens - "R"



1/2" Regressed Lens (Satin White lens is recommended for Shallow Housing)

Lutron Driver Ordering Codes

Nulite Code	Lutron Prefix	Lutron Series	Dim Level	Control Type	
				3-Wire	Eco-System™
L11	L3DAE	Hi-lume™	1%		Yes
L12	L3DA3W	Hi-lume™	1%	Yes	
L15	LDE1*	Hi-lume™ - H Series	1%		Yes
L16	LDE5	5-Series	5%		Yes

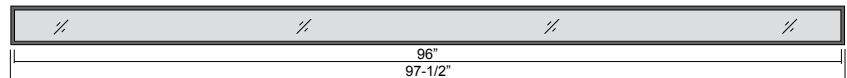
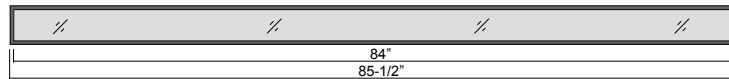
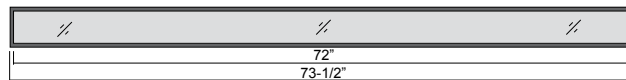
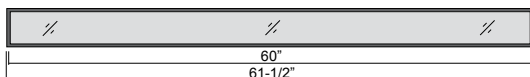
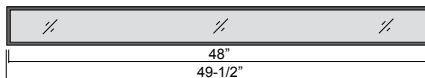
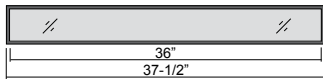
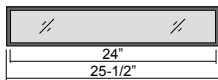
* Soft-on, Fade-to-Black™

Sensor Option



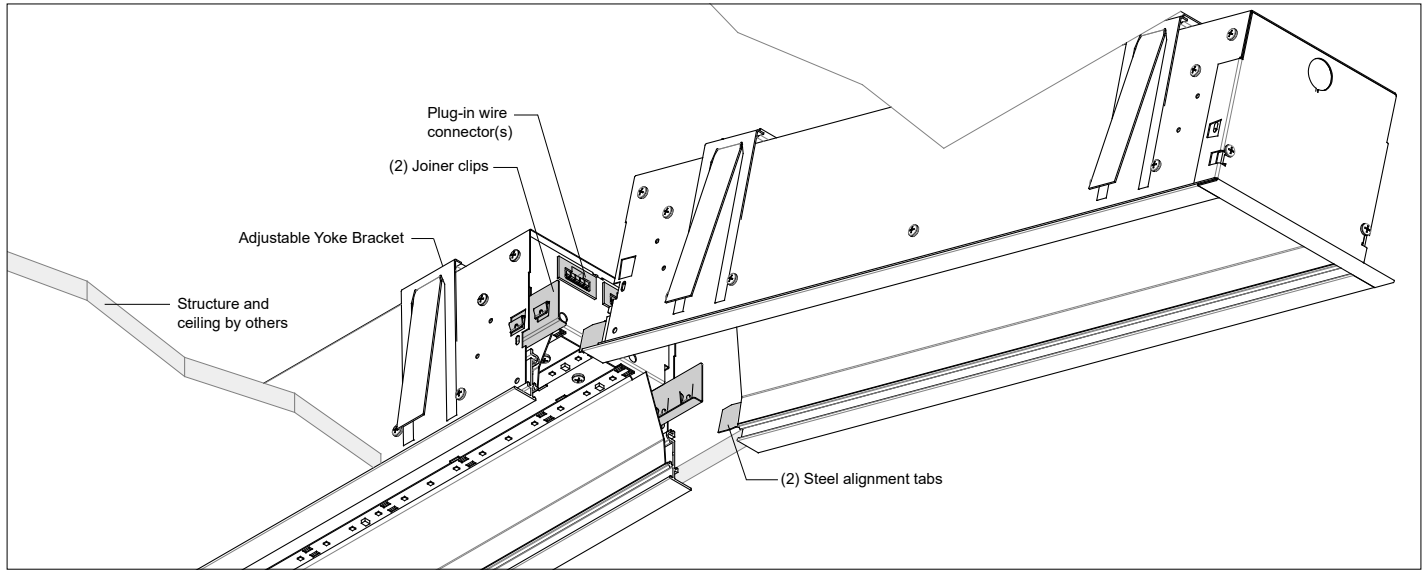
Occupancy and/or Daylight Sensor (Surface Mount Shown)

Individual Lengths



Specifications and dimensions are subject to change without notification.

Continuous Row Joiner Detail



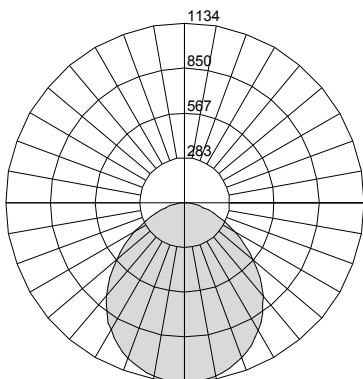
Continuous Run Lengths

Run Length		2'	3'	4'	5'	6'	7'	8'	9'	10'	11'	12'	13'	14'	15'	16'	17'	18'	19'	20'	21'	22'	23'	24'	25'	26'	27'	28'	29'	30'	31'	32'	33'	34'	35'	36'	37'	38'	39'	40'	41'	42'	43'	44'									
Number of Housings	2'	1																																																			
	3'		1																																																		
	4'			1						1	1	1	1					1	1	1	1					1	1	1	1						1	1	1	1							1	1	1	1					
	5'				1								1								1						1	1								1																	
	6'					1								1													1																										
	7'						1								1																																						
	8'							1								1	1	1	1	1	2	1	1	1	1	2	2	2	2	2	3	2	2	2	3	3	3	3	4	3	3	3	4	4	4	4	4	5	4	4	4	4	5

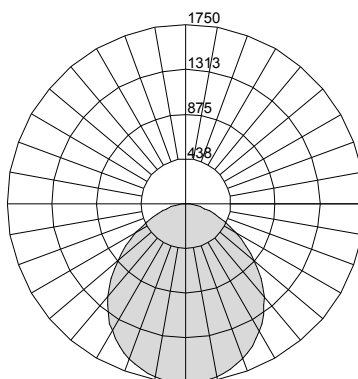
Run length doesn't include overlapping flange.

Photometric Curves

Cat. # RF6-05L35-...-FRF-...-4'
Wattage/ft - 4.85
Lumens/Watt - 118



Cat. # RF6-09L35-...-FRF-...-4'
Wattage/ft - 7.79
Lumens/Watt - 113



Cat. # RF6-05L35-...-FRF-...-4'-ASYM
Wattage/ft - 5.25
Lumens/Watt - 109

