

Type:	Project:	Qty:
	Date:	
Catalog #:		

**Description:**

The Regolo RP2 LED pendant series is a narrow, nominal 2" wide, profile unit. The slender design is ideal for corridors, open and private offices, classrooms, lobbies and general purpose rooms.

**Specifications:**

**Construction:** The housing is a hybrid of extruded aluminum side rails and formed 20 gauge cold rolled steel. Housing standard finish is electrostatically applied textured white powder coat paint. Optional silver, black or custom color paint finishes.

**Reflector / Driver:** Reflector / driver cover is finished with high reflectance white paint. Standard constant current electronic driver with 0-10V dimming input; dimming range from 100% down to 10%. Universal (UNV) voltage is from 120 - 277V, 50/60 Hz.

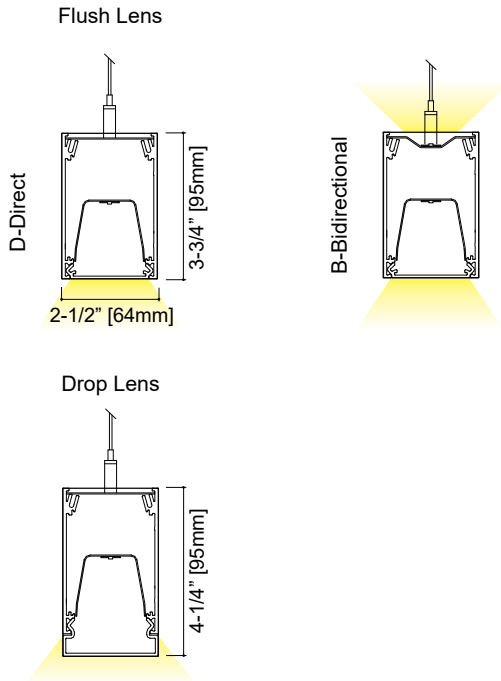
**Direct Light Shielding:** Extruded frosted or satin white acrylic snap-in, flush or drop lens with DR. Consult factory for up-light shielding.

**LED Module:** Distributed LED array in a variety of lumen output packages. LED color is available in (L30) 3000K, (L35) 3500K or (L40) 4000K. Module is replaceable. L90 ≥ 100,000 hours.

**Mounting:** Aircraft cable suspended, individual mount or continuous runs.

**Labels:** ETL listed, conforms to UL Standard 1598 / 8750 and CSA Standard C22.2, Damp location.

**Warranty:** 5-year limited warranty on LED and Driver.



**Ordering Information**

Sample: RP2-4D-05L35-UNV-D-1C-FRF-BK-T9B-48-16'

Series	Height / Distrib.	Lumen Package <sup>3</sup> / Color	Volt.	Driver	Circuit	Shielding	Color	Mounting	Sus. L.	Length	Options	
RP2 <sup>1</sup>												
RP2 (Pendant - Nom. 2")	4	D Direct	03 (~393 lm/ft, 3.28W/ft)	L30	UNV	1C Single Circuit	FRF (Frosted Flush)	WH (White - Standard)	T1 <sup>7</sup> (AC to 1" T)	48 (48" adjustable AC)	2'	OS <sup>9</sup> End of run Occupancy Sensor
		B <sup>2</sup> Bidirectional	05 (~573 lm/ft, 4.85W/ft)	L35	120	1E <sup>6</sup> Single Circuit w/ EM Circuit	FRD (Frosted Drop Opaque End)	SV (Silver)	T9 <sup>7</sup> (AC to 9/16" T)	120 (120" adjustable AC)	3'	DS <sup>9</sup> End of run Daylight Sensor
		06 (~732 lm/ft, 6.38W/ft)	L40	277	1B <sup>6</sup> Single Circuit w/ Battery Pack	FRL (Frosted Drop Luminous End)	BK (Black)	TS <sup>7</sup> (AC to Slotted T)		4'	GLR Fusing	
		09 (~886 lm/ft, 7.79W/ft)				STF (Satin White Flush)	CC (Custom Color)	SR <sup>7</sup> (AC to Structure)		5'		
		<b>Consult Factory for Custom Lumen Package</b>					STD (Satin White Drop Opaque End)				6'	
						STL (Satin White Drop Luminous End)				7'		
						Consult factory for uplight shielding or dust cover.				8'		
												Continuous Runs <sup>3</sup> XX' Specify run length in 1 foot increments. Consult factory for custom lengths.
												See Accessories for Corners

SHOP NOW >

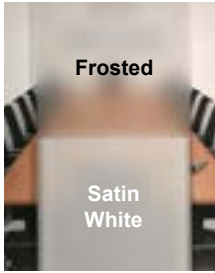
**Notes:**

- Some products are DesignLights Consortium™ Qualified, refer to www.designlights.org Qualified Products List.
- Standard Watts per Foot: (03) 5.85W/ft, (05) 8.65W/ft, (06) 11.28W/ft, (09) 14W/ft.  
For Bidirectional with not the same output, specify lumen package down / lumen package up (ie. 05DN/09UP).
- Nominal lumen output per foot for frosted lens and 3500K.
- Standard driver, don't connect low-voltage wires for non-dimming applications. Consult factory for specifications and manufacturer.
- Consult factory for specifications and manufacturer.
- This circuiting option does NOT come with a plug-in wire connector between units. Contractor must field wire.
- 5" diameter power canopy and 2" diameter non-power canopy, see page 4.
- 6" increments are common custom lengths. We can provide custom run length down to the nearest (+/- 1/8").
- Not available with Drop lens.



Specifications and dimensions are subject to change without notification. Specification sheets on our website supersede all other versions. 2016 Rev. D Nulite reserves the right to bulk package any order.

Lens Options



**Frosted Lens**  
This diffuser is designed for a balance between efficiency and lens uniformity. (Transmission ~ 89%)

**Satin White Lens**  
This diffuser is designed for visible lens uniformity. It's recommended for regressed lens configuration in our shallow housing. (Transmission ~ 69%)

“D” Opaque Metal End Drop Lens



“L” Luminous Acrylic End Drop Lens

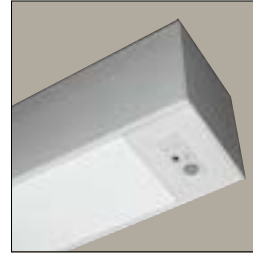


Lutron Driver Ordering Codes

Nulite Code	Lutron Prefix	Lutron Series	Dim Level	Control Type	
				3-Wire	Eco-System™
L11	L3DAE	Hi-lume™	1%		Yes
L12	L3DA3W	Hi-lume™	1%	Yes	
L15	LDE1*	Hi-lume™ - H Series	1%		Yes
L16	LDE5	5-Series	5%		Yes

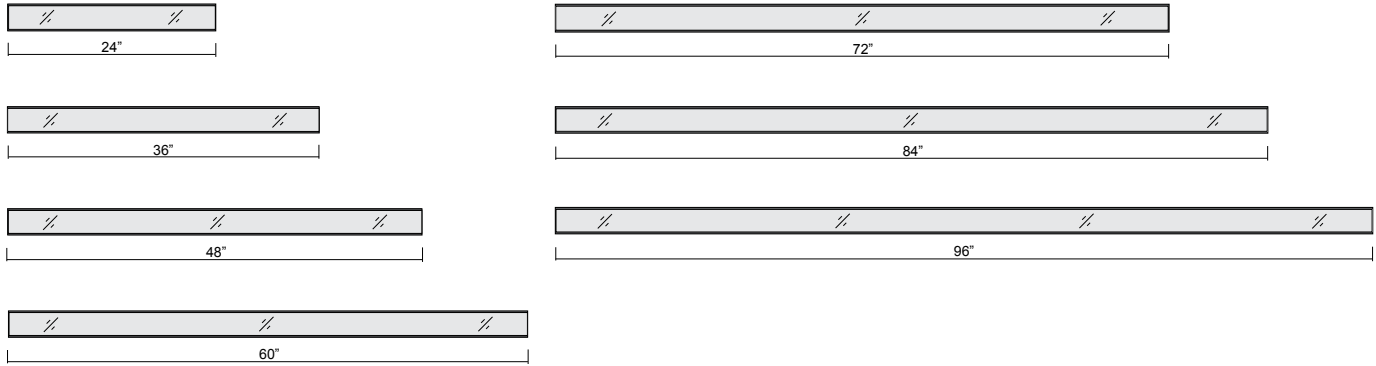
\* Soft-on, Fade-to-Black™

Sensor Option



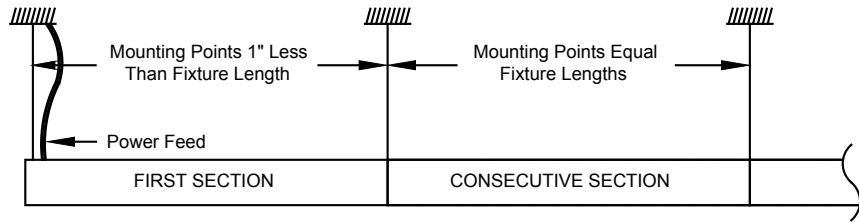
Occupancy and/or Daylight Sensor (Surface Mount 4" Shown)

Individual Lengths



Continuous Run Lengths

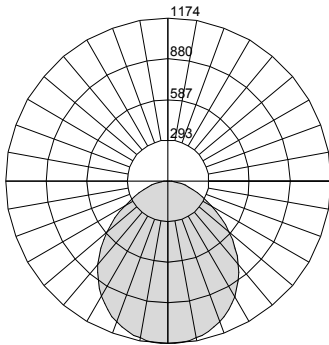
Run Length		2'	3'	4'	5'	6'	7'	8'	9'	10'	11'	12'	13'	14'	15'	16'	17'	18'	19'	20'	21'	22'	23'	24'	25'	26'	27'	28'	29'	30'	31'	32'	33'	34'	35'	36'	37'	38'	39'	40'	41'	42'	43'	44'																		
2'	1																																																													
3'		1																																																												
4'			1																																																											
5'				1																																																										
6'					1																																																									
7'						1																																																								
8'							1																																																							



Specifications and dimensions are subject to change without notification.

Photometric Curves

Cat. # RP2-4D-05L35-...-FRF-...-4'  
 Frosted Flush Lens  
 Wattage/ft - 4.85  
 Lumens/Watt - 118



Cat. # RP2-4B-05L35-...-FRF-...-4'  
 Frosted Flush Lens  
 Wattage/ft - 8.65  
 Lumens/Watt - 131

