

Type:	Project:	Qty:
	Date:	
Catalog #:		

Description:

The Regolo LED pendant series is a nominal 4" profile unit. The slender design is ideal for corridors, open and private offices, classrooms, lobbies and general purpose rooms.

Specifications:

Construction: The housing is a hybrid of extruded aluminum side rails and formed 20 gauge cold rolled steel. Housing standard finish is electrostatically applied textured white powder coat paint. Optional silver, black or custom color paint finishes.

Reflector / Driver: Reflector / driver cover is finished with high reflectance white paint. Optional asymmetric semi-specular aluminum reflector. Standard constant current electronic driver with 0-10V dimming input; dimming range from 100% down to 10%. Universal (UNV) voltage is from 120 - 277V, 50/60 Hz.

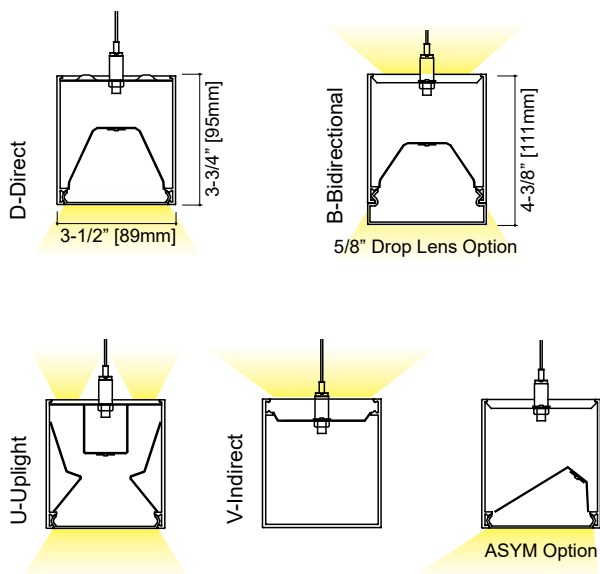
Direct Light Shielding: Extruded frosted or satin white acrylic snap-in lens with DR. Consult factory for uplight shielding.

LED Module: Distributed LED array in a variety of lumen output packages. LED color is available in (L30) 3000K, (L35) 3500K or (L40) 4000K. Module is replaceable. L90 ≥ 100,000 hours.

Mounting: Aircraft cable suspended, individual mount or continuous runs.

Labels: ETL listed, conforms to UL Standard 1598 / 8750 and CSA Standard C22.2, Damp location.

Warranty: 5-year limited warranty on LED and Driver.



SHOP NOW >

Ordering Information

Sample: RP4-4D-05L35-UNV-D1-1C-FRF-WH-T1-48-16'-OS

Series	Height/Distrib.	Lumen Package ⁴ / Color	Volt.	Driver	Circuit	Shielding	Color	Mounting	Sus. L.	Length	Options	
RP4 ¹												
RP4 (Pendant - Nom. 4")	4	D Direct	03 (~390 lm/ft, 3.28W/ft)	L30	UNV	1C Single Circuit 1E Single Circuit w/ EM Circuit 1B Single Circuit w/ Battery Pack 2C ⁷ Dual Circuit 2E ⁷ Dual Circuit w/ EM Circuit 2B ⁷ Dual Circuit w/ Battery Pack	FRF (Frosted Flush) FRD (Frosted Drop Opaque End) FRL (Frosted Drop Luminous End) STF (Satin White Flush) STD (Satin White Drop Opaque End) STL (Satin White Drop Luminous End) Blank - Indirect (Standard No Lens)	WH (White - Standard) SV (Silver) BK (Black) CC (Custom Color)	T1 ⁸ (AC to 1" T) T9 ⁸ (AC to 9/16" T) TS ⁸ (AC to Slotted T) SR ⁸ (AC to Structure)	48 (48" adjustable AC) 120 (120" adjustable AC)	2' 3' 4' 5' 6' 7' 8' Continuous Runs ⁹ XX: Specify run length in 1 foot increments. Consult factory for custom lengths.	OS ¹⁰ End of run Occupancy Sensor DS ¹⁰ End of run Daylight Sensor ASYM ¹² Asymmetric Reflector Direct GLR Fusing See Accessories for Corners and Downlight Modules
		B ² Bidirectional	05 (~568 lm/ft, 4.85W/ft)	L35	120							
		U ¹¹ Uplight	06 (~724 lm/ft, 6.38W/ft)	L40	277							
		V ³ Indirect	09 (~898 lm/ft, 7.79W/ft)									
			10 (~1036 lm/ft, 9.39W/ft)									
		Consult Factory for Custom Lumen Package		Dimming (0-10V) D ⁵ (Dim to 10%) D1 ⁶ (Dim to 1%) D0 ⁶ (Dim to 0%) Lutron Dimming See Page 2 for Ordering Codes DALI Dimming eldoLED ECOdrive ELE (Dim to 1%) eldoLED SOLOdrive ELS (Dim to 0%)		(Add a "B" after the mounting code to order black canopies and cord.)						

Notes:

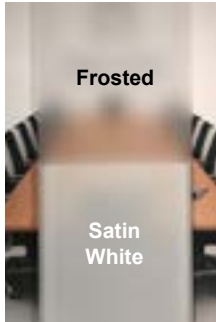
- Some products are DesignLights Consortium™ Qualified, refer to www.designlights.org Qualified Products List.
- Standard Watts per Foot: (03) 5.85W/ft, (05) 8.65W/ft, (06) 11.28W/ft, (09) 14W/ft, (10) 16.6W/ft. For Bidirectional with not the same output, specify lumen package down / lumen package up (ie. 05DN/09UP-L35).
- No lens is standard for Indirect distribution. Consult factory for lens option.
- Nominal lumen output per foot for frosted lens and 3500K.
- Standard driver, don't connect low-voltage wires for non-dimming applications. Consult factory for specifications and manufacturer.
- Consult factory for specifications and manufacturer.
- Bidirectional ONLY. When ordered w/ Dimming, luminaire has dual driver circuits w/ dual dimming zones.
- 5" diameter power canopy and 2" diameter non-power canopy, see page 4.
- 6" increments are common custom lengths. We can provide custom run length down to the nearest (+/- 1/8").
- Not available with Drop Lens.
- Only available in 1 foot increments.
- Asymmetric reflector for Direct component with Frosted Flush lens. Not available in "U" or "V" distributions.



Specifications and dimensions are subject to change without notification. Specification sheets on our website supersede all other versions. 2016 Rev. D1

Lens Options

Shielding



Frosted Lens
This diffuser is designed for a balance between efficiency and lens uniformity. (Transmission ~ 89%)

Satin White Lens
This diffuser is designed for visible lens uniformity. It's recommended for regressed lens configuration in our shallow housing. (Transmission ~ 69%)

Lutron Driver Ordering Codes

Nulite Code	Lutron Prefix	Lutron Series	Dim Level	Control Type	
				3-Wire	Eco-System™
L11	L3DAE	Hi-lume™	1%		Yes
L12	L3DA3W	Hi-lume™	1%	Yes	
L15	LDE1*	Hi-lume™ - H Series	1%		Yes
L16	LDE5	5-Series	5%		Yes

* Soft-on, Fade-to-Black™

Position



Drop Lens w/ Opaque End



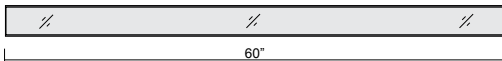
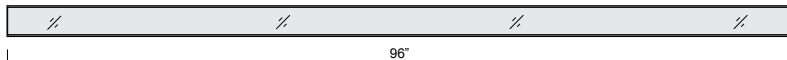
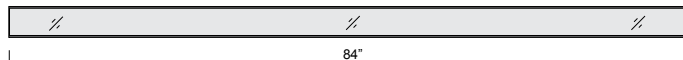
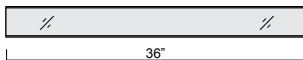
Drop Lens w/ Luminous End

Sensor Option



Occupancy and/or Daylight Sensor (Surface Mount Shown)

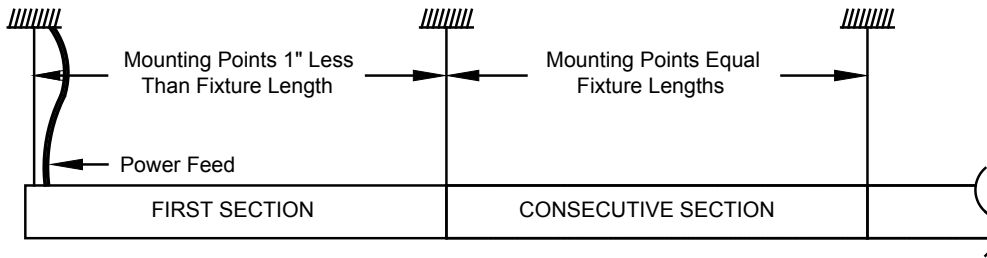
Individual Lengths



Continuous Run Lengths

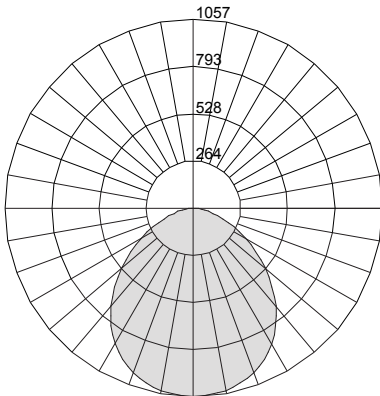
		Run Length																																																		
		2'	3'	4'	5'	6'	7'	8'	9'	10'	11'	12'	13'	14'	15'	16'	17'	18'	19'	20'	21'	22'	23'	24'	25'	26'	27'	28'	29'	30'	31'	32'	33'	34'	35'	36'	37'	38'	39'	40'	41'	42'	43'	44'								
Number of Housings	2'	1																																																		
	3'		1																																																	
	4'			1						1	1	1	1					1	1	1	1					1	1	1	1				1	1	1	1									1	1	1	1				
	5'				1					1				1							1						1				1				1												1					
	6'					1					1				1						1						1				1				1											1						
	7'						1					1				1					1						1				1				1											1						
	8'							1					1	1	1	1	2	1	1	1	2	2	2	2	3	2	2	2	2	3	3	3	3	4	3	3	3	3	4	4	4	4	4	4	5	4	4	4	4	5		

Specifications and dimensions are subject to change without notification.

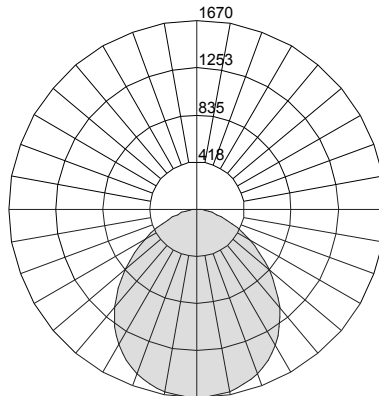


Photometric Curves

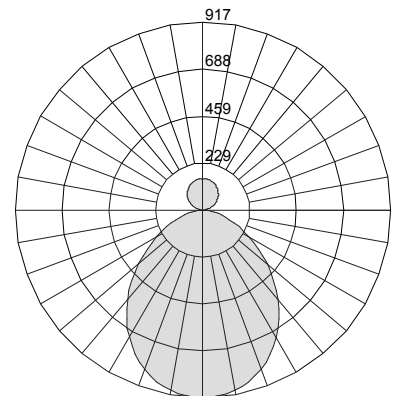
Cat. # RP4-4D-05L35-...-FRF-...-4'
 Frosted Flush Lens
 Wattage/Ft - 4.85
 Lumens/Watt - 117



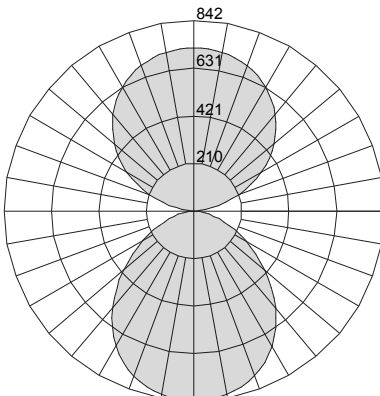
Cat. # RP4-4D-09L35-...-FRF-...-4'
 Frosted Flush Lens
 Wattage/Ft - 7.79
 Lumens/Watt - 114



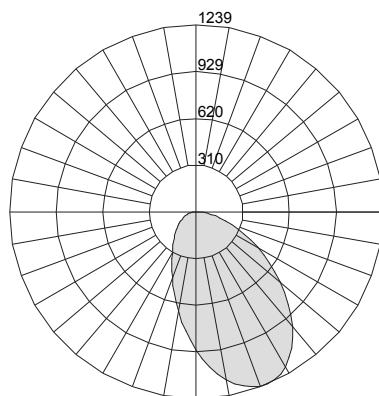
Cat. # RP4-4U-05L35-...-FRF-...-4'
 Frosted Flush Lens
 Wattage/Ft - 5.83
 Lumens/Watt - 98

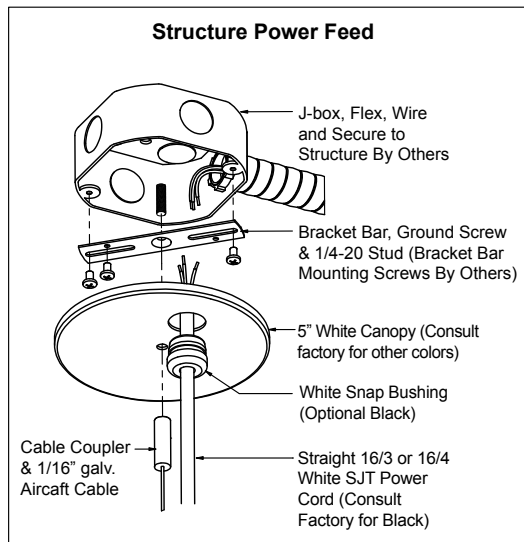
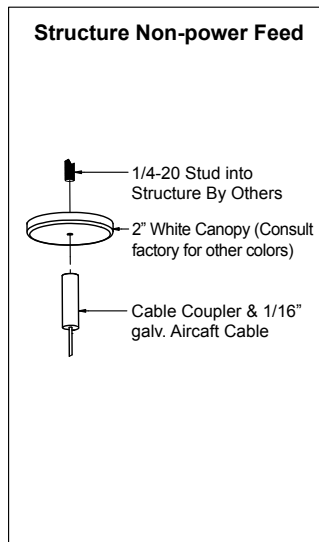
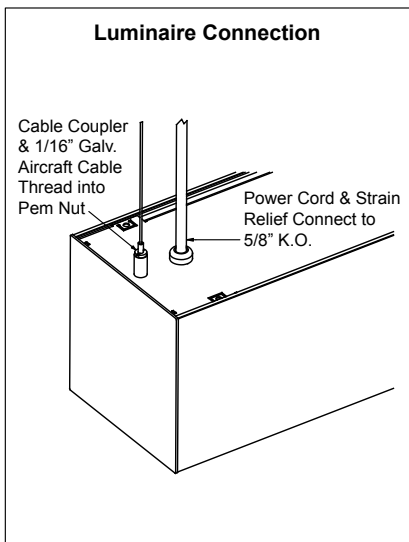
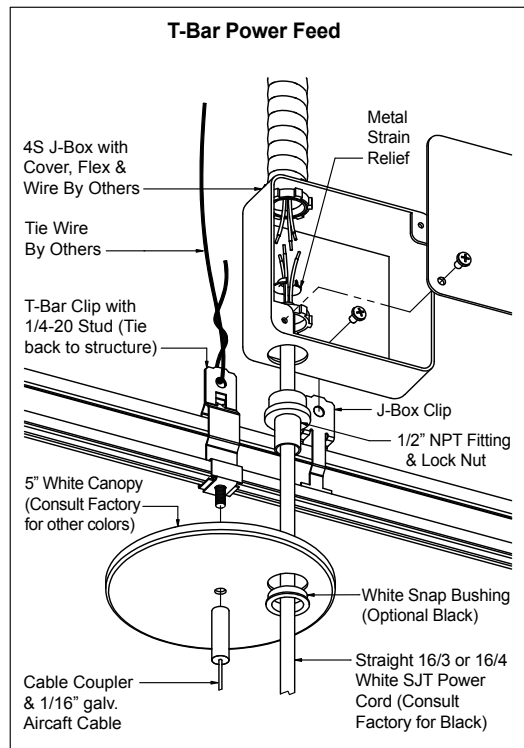
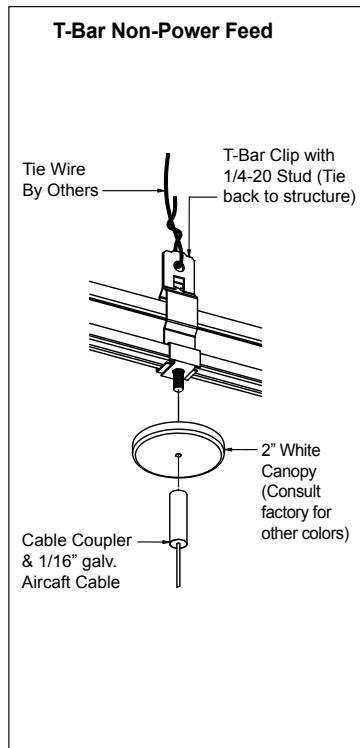
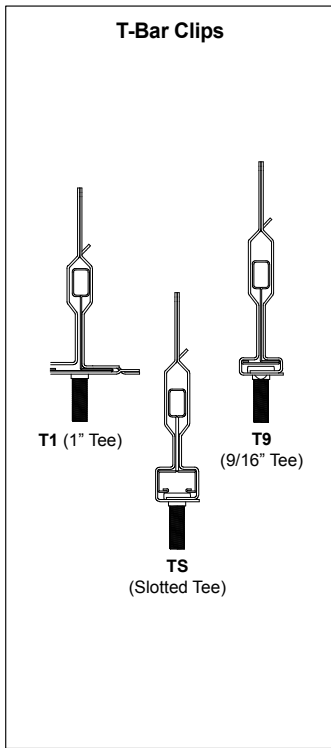


Cat. # RP4-4B-05L35-...-FRF-...-4'
 Frosted Flush Lens
 Wattage/Ft - 8.65
 Lumens/Watt - 131



Cat. # RP4-4D-05L40-...-FRF-...-4'-ASYM
 Frosted Flush Lens
 Wattage - 5.25
 Lumens/Watt - 110





Specifications and dimensions are subject to change without notification.