

Type:	Project:	Qty:
	Date:	
Catalog #:		

Description:

The Regolo LED pendant series is a nominal 6" profile unit. The slender design is ideal for corridors, open and private offices, classrooms, lobbies and general purpose rooms.

Specifications:

Construction: The housing is a hybrid of extruded aluminum side rails and formed 20 gauge cold rolled steel. Housing standard finish is electrostatically applied textured white powder coat paint. Optional silver, black or custom color paint finishes.

Reflector / Driver: Reflector / driver cover is finished with high reflectance white paint. Optional asymmetric semi-specular aluminum reflector. Standard constant current electronic driver with 0-10V dimming input; dimming range from 100% down to 10%. Universal (UNV) voltage is from 120 - 277V, 50/60 Hz.

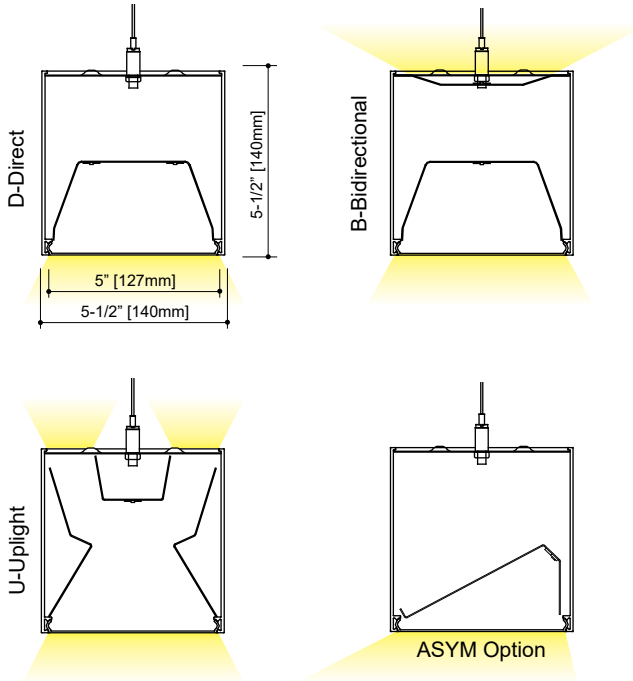
Direct Light Shielding: Extruded frosted or satin white acrylic snap-in lens with DR. Consult factory for upright shielding.

LED Module: Distributed LED array in a variety of lumen output packages. LED color is available in (L30) 3000K, (L35) 3500K or (L40) 4000K. Module is replaceable. L90 ≥ 100,000 hours.

Mounting: Aircraft cable suspended, individual mount or continuous runs.

Labels: ETL listed, conforms to UL Standard 1598 / 8750 and CSA Standard C22.2, Damp location.

Warranty: 5-year limited warranty on LED and Driver.



Ordering Information

Sample: RP6-6D-05L35-UNV-D-1C-FRF-BK-T1B-48-16"

Series	Height/Distribution	Lumen Package ³ / Color	Volt.	Driver	Circuit	Shielding	Color	Mounting	Sus. L.	Length	Options	
RP6 ¹												
RP6 (Pendant - Nom. 6")	6	D Direct	05 (~572 lm/ft, 4.85W/ft)	L30	UNV	Dimming (0-10V)						
		B ² Bidirectional	06 (~728 lm/ft, 6.38W/ft)	L35	120	D ⁴ (Dim to 10%)	1C Single Circuit	FRF (Frosted Flush)	WH (White - Standard)	T1 ⁷ (AC to 1" T)	48 (48" adjustable AC)	2' OS End of run Occupancy Sensor
		U Uplight	09 (~882 lm/ft, 7.79W/ft)	L40	277	D1 ⁵ (Dim to 1%)	1E Single Circuit w/ EM Circuit	STF (Satin White Flush)	SV (Silver)	T9 ⁷ (AC to 9/16" T)	120 (120" adjustable AC)	4' DS End of run Daylight Sensor
			10 (~1036 lm/ft, 9.39W/ft)			D0 ⁵ (Dim to 0%)	1B Single Circuit w/ Battery Pack		BK (Black)	TS ⁷ (AC to Slotted T)		5' 6' ASYM ⁹ Asymmetric Reflector Direct
			13 (~1269 lm/ft, 11.6W/ft)			Lutron Dimming	2C ⁶ Dual Circuits	Consult factory for upright shielding or dust cover.	CC (Custom Color)	SR ⁷ (AC to Structure)		7' 8' Continuous Runs ⁸
			17 (~1576 lm/ft, 14.6W/ft)			See Page 2 for Ordering Codes	2E ⁶ Dual Circuits w/ EM Circuit					XX' Specify run length in 1 foot increments. Consult factory for custom lengths.
				Consult Factory for Custom Lumen Package	2B ⁶ Dual Circuits w/ Battery Pack					GLR Fusing See Accessories for Corners and Downlight Modules		

SHOP NOW >

Notes:

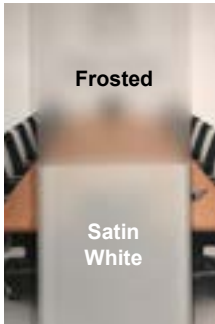
- Some products are DesignLights Consortium™ Qualified, refer to www.designlights.org Qualified Products List.
- Standard Watts per Foot: (05) 8.65W/ft, (06) 11.28W/ft, (09) 14W/ft, (10) 16.6W/ft, (13) 20.7W/ft, (17) 26.14W/ft. For Bidirectional with not the same output, specify lumen package down / lumen packae up (ie. 05DN/09UP).
- Nominal lumen output per foot for frosted lens and 3500K.
- Standard driver, don't connect low-voltage wires for non-dimming applications. Consult factory for specifications and manufacturer.
- Consult factory for specifications and manufacturer.
- Bidirectional ONLY. Dual driver circuits w/ dual dimming. Quick wire connectors not available.
- 5" diameter power canopy and 2" diameter non-power canopy, see page 4.
- 6" increments are common custom lengths. We can provide custom run length down to the nearest (+/- 1/8").
- Direct distribution with Frosted Flush lens only. Uplight option not available.



Specifications and dimensions are subject to change without notification. Specification sheets on our website supersede all other versions. 2016 Rev. D1 Nulite reserves the right to bulk package any order.

Lens Options

Shielding



Frosted Lens
This diffuser is designed for a balance between efficiency and lens uniformity. (Transmission ~ 89%)

Satin White Lens
This diffuser is designed for visible lens uniformity. It's recommended for regressed lens configuration in our shallow housing. (Transmission ~ 69%)

Lutron Driver Ordering Codes

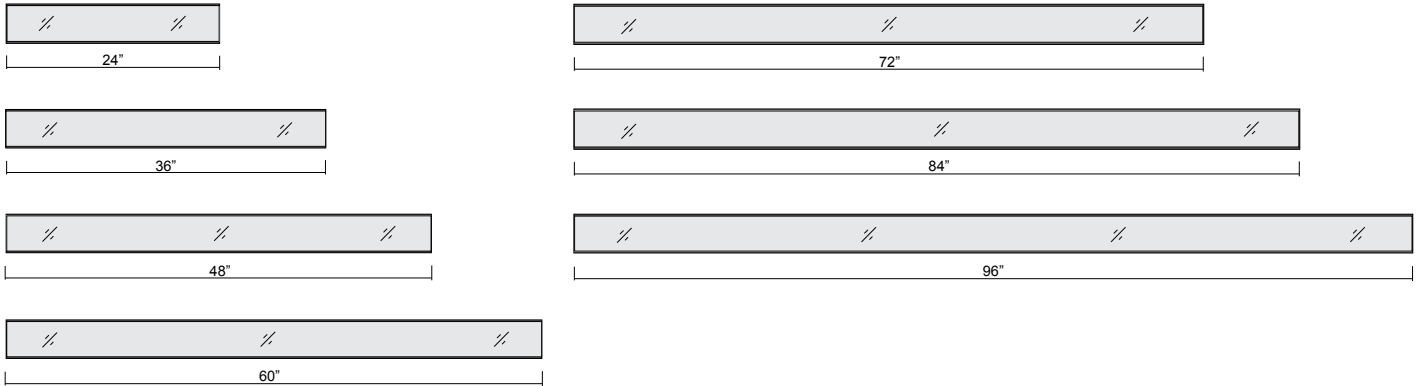
Nulite Code	Lutron Prefix	Lutron Series	Dim Level	Control Type	
				3-Wire	Eco-System™
L11	L3DAE	Hi-lume™	1%		Yes
L12	L3DA3W	Hi-lume™	1%	Yes	
L15	LDE1*	Hi-lume™ - H Series	1%		Yes
L16	LDE5	5-Series	5%		Yes

* Soft-on, Fade-to-Black™

Sensor Option



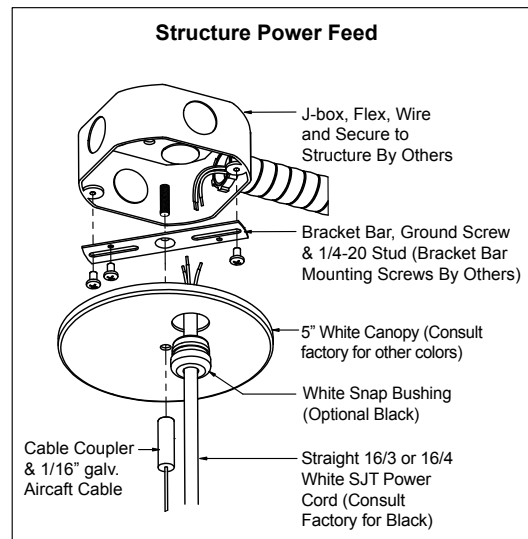
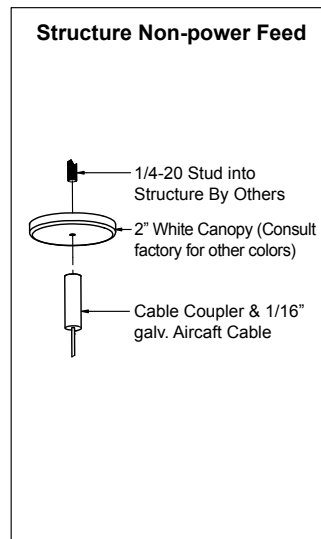
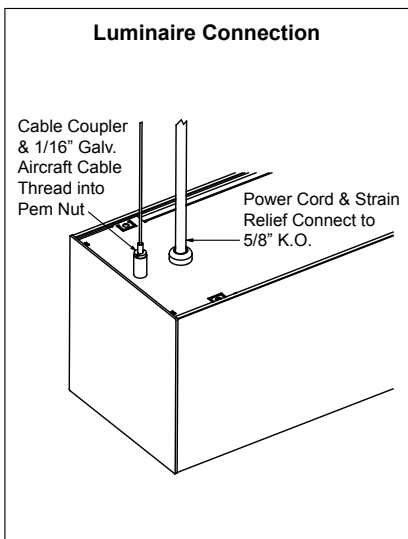
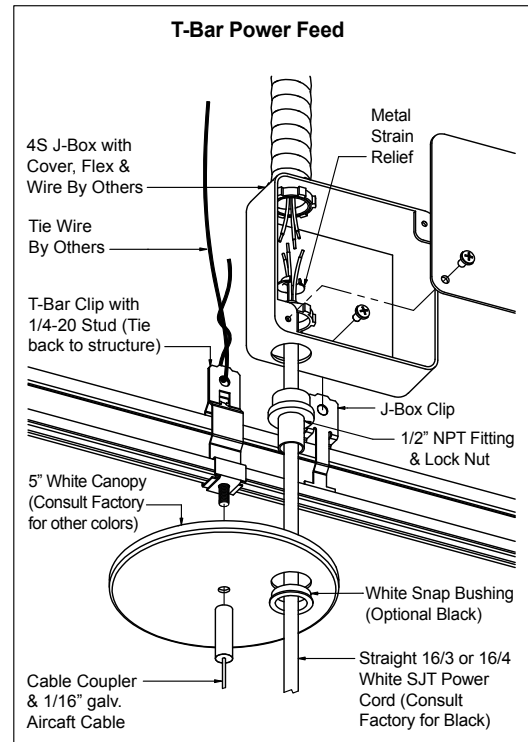
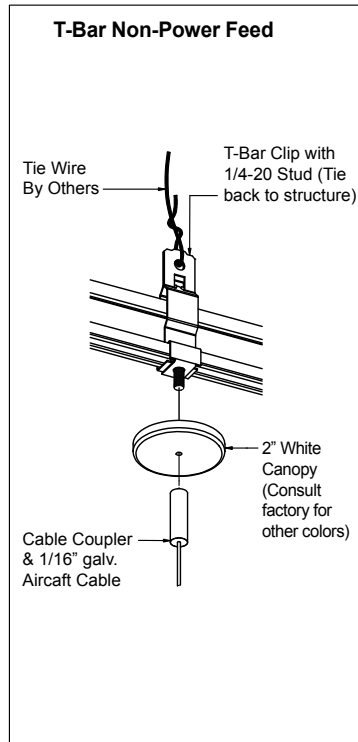
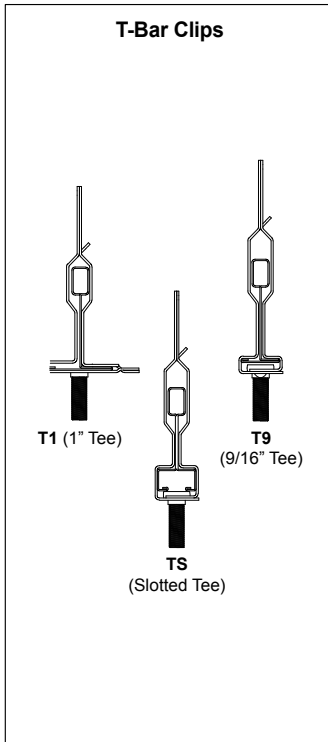
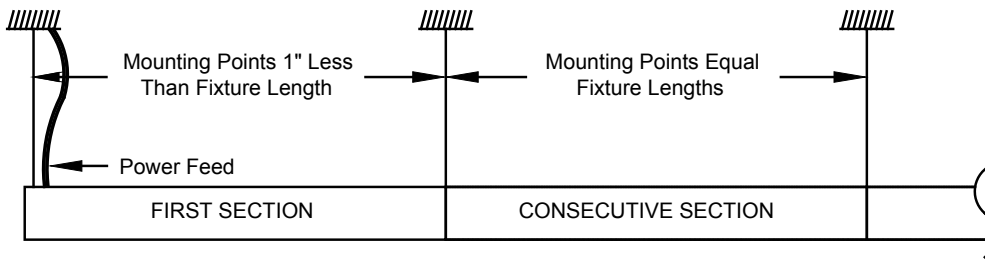
Individual Lengths



Continuous Run Lengths

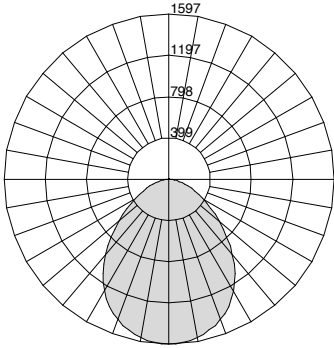
		Run Length																																																
		2'	3'	4'	5'	6'	7'	8'	9'	10'	11'	12'	13'	14'	15'	16'	17'	18'	19'	20'	21'	22'	23'	24'	25'	26'	27'	28'	29'	30'	31'	32'	33'	34'	35'	36'	37'	38'	39'	40'	41'	42'	43'	44'						
Number of Housings	2'	1																																																
	3'		1																																															
	4'			1						1	1	1	1					1	1	1	1					1	1	1	1					1	1	1	1						1	1	1	1				
	5'				1					1			1								1					1								1											1					
	6'					1					1			1								1					1							1											1					
	7'						1					1			1							1					1							1											1					
	8'							1					1	1	1	1	1	2	1	1	1	2	2	2	2	3	2	2	2	2	3	3	3	3	4	3	3	3	3	4	4	4	4	4	5	4	4	4	4	5

Specifications and dimensions are subject to change without notification.

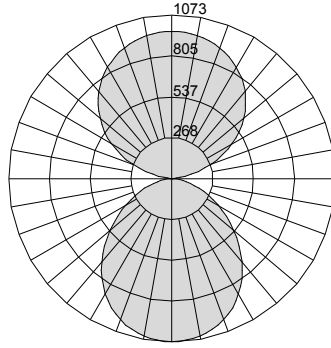


Photometric Curves

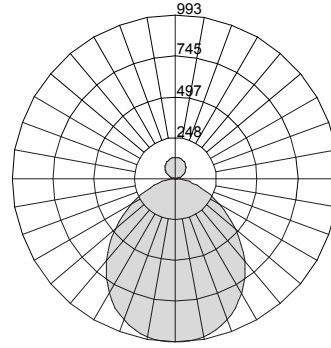
Cat. # RP6-6D-05L35-...-FRF-...-4'
 Wattage/ft - 4.85
 Lumens/Watt - 118



Cat. # RP6-6B-05L35-...-FRF-...-4'
 Wattage/ft - 8.65
 Lumens/Watt - 132



Cat. # RP6-6U-05L35-...-FRF-...-4'
 Wattage/ft - 5.83
 Lumens/Watt - 96



Specifications and dimensions are subject to change without notification.