

## HIGHLIGHTS

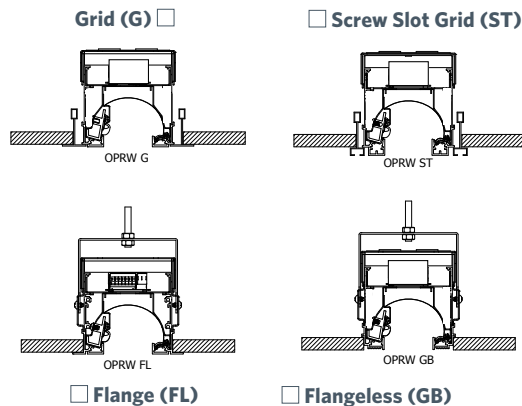
- 5-year limited warranty by Acuity Brands covering all components and construction
- 2', 4', 6' and 8' sections
- Up to 87 lm/W
- Two outputs available
- Seam eraser technology provides continuous illumination for long runs
- Flicker-free dimming to dark powered by eldoLED<sup>®</sup> driver
- Integrated nLight<sup>®</sup> module for system networking (optional)
- Modular light engine to allow for easy upgrades and replacement



eldoLED



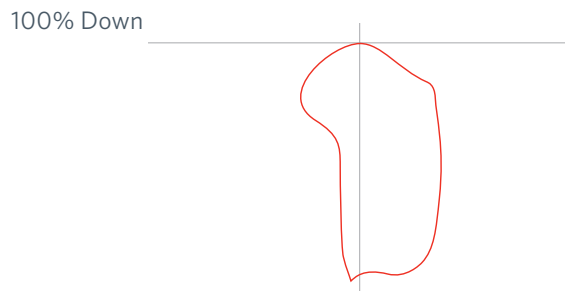
## DIMENSIONS



## LUMEN PACKAGES

Direct LED Output	500LMF	800LMF
Delivered Lumens Per Foot	630	863
Input Watts Per Foot	7.2	10.2
Lumens Per Watt	87	84

## STANDARD DISTRIBUTION



## COMPANION LUMINAIRE(S)



## CUSTOMIZATION

Ask us about the following possibilities: Higher lumen outputs, alternate section lengths, additional CCTs for LED boards, custom colors and other modifications.

**SPECIFICATIONS**

**Housing**

Extruded aluminum housing.

**Luminaire Length**

2', 4', 6' and 8' lengths.

Longer rows are comprised of starter, joiner and ender sections.

**Source**

Two LED lumen packages and three available color temperature options (3000K, 3500K and 4000K) in 80+ CRI and 90+ CRI options — all within 2.5 MacAdam ellipses.

**Optics**

Optical system consists of proprietary injection molded optic and high performance film.

**Dimming Driver**

eldoLED® driver (see page 3) provides “natural dimming” with smooth, continuous and flicker-free dimming to dark (0.1%). Syncing for controls: 2mA max. THD: < 20%. Insignificant inrush current at 120 and 277VAC. FCC Class A tested for EMI and RFI. When Control Input is specified driver will be set for linear dimming curve, if NLIGHT is specified driver will be set for logarithmic dimming curve.

For 0-10V and DALI details go to: [PeerlessLighting.com/SOLOdrive](http://PeerlessLighting.com/SOLOdrive)

**Controls and System Networking Options**

For wired networking via Cat-5e, choose an integrated nLight® module (driver: ENNB).

One control module per 4' section or 40' maximum row.

**Electrical**

LED light engine — consisting of modular LED boards and eldoLED® dimming driver — is rated for 60,000 hours (L90) at 25° C ambient temperature. Specify 120V, 277V or 347V.

**Environment**

Ambient operating temperature between 0° C and 25° C. Suitable for dry and damp locations.

**Validation**

cCSAus listed. LM-79 tested. Individual sections meet FCC Part 15 requirements.

**Packaging**

Recycled cardboard box and inserts. Biodegradable, protective luminaire bag. Recycled kraft paper tape.

**Warranty**

5-year limited warranty. Complete warranty terms located at [www.acuitybrands.com/CustomerResources/Terms\\_and\\_conditions.aspx](http://www.acuitybrands.com/CustomerResources/Terms_and_conditions.aspx)

Note: Actual performance may differ as a result of end-user environment and application.

All values are design or typical values, measured under laboratory conditions at 25°C.

**A+ Capable Luminaire**

This item is an A+ capable luminaire, which has been designed and tested to provide consistent color appearance and out-of-the-box control compatibility with simple commissioning.

- All configurations of this luminaire meet the Acuity Brands' specification for chromatic consistency
- This luminaire is part of an A+ Certified solution for nLight® control networks when ordered with drivers marked by a shaded background\*
- This luminaire is part of an A+ Certified solution for nLight control networks, providing advanced control functionality at the luminaire level, when selection includes driver and control options marked by a shaded background\*

To learn more about A+, visit [www.acuitybrands.com/aplus](http://www.acuitybrands.com/aplus).

\*See ordering tree for details



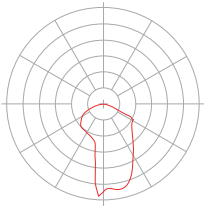
A+ Capable options indicated by this color background.

**MODEL NUMBER** Example: OPRW G LOP 10FT 80CRI 35K 800LMF DARK ZT 120 SCT C041

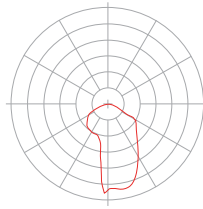
Luminaire	Mounting Type	Linear Length Plan	Total Run Length	LED Color Rendering	LED Color Temperature	Direct LED Output
OPRW	<b>G</b> T-Grid <b>ST</b> Screw Slot Grid <b>FL</b> Flange (hard ceiling) <b>GB</b> Flangeless (hard ceiling)	<b>LOP</b> Linear optimized plan	<b>__FT</b> Indicate luminaire row length in 2' increments. Ex: 10FT	<b>80CRI</b> 80+ CRI <b>90CRI</b> 90+ CRI	<b>30K</b> 3000K <b>35K</b> 3500K <b>40K</b> 4000K	<b>500LMF</b> 500 nominal direct lumens per foot <b>800LMF</b> 800 nominal direct lumens per foot

Minimum Dimming Level	Control Input	Voltage	Wiring Option	Emergency Options	Color	Options
<b>DARK</b> Constant current, dimming to < 1% <b>MIN1</b> Constant current, dimming to 1%	<b>ZT*</b> 0-10V <b>DALI**</b> DALI enabled <b>NLIGHT**</b> nLight enabled	<b>120</b> 120V <b>277</b> 277V <b>347*</b> 347V	<b>SCT</b> Single circuit	<b>(Blank)</b> None <b>1EC</b> (1) Emergency circuit module <b>2EC</b> (2) Emergency circuit module <b>__EC</b> __ Emergency circuit modules Emergency type is installed in last 4' or 8' luminaire sections.	<b>C041</b> White white (low gloss) <b>C099</b> Custom color	<b>CSA</b> Manufactured to Canadian Standards <b>CP**</b> Chicago Plenum <b>GLR</b> Fast blow <b>GMF</b> Slow blow <b>HCF</b> Healthcare facility cover *Not available with nlight nor mounting types FL and GB. **Available with individual fixture only.

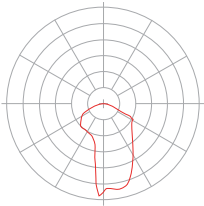
**PHOTOMETRICS**



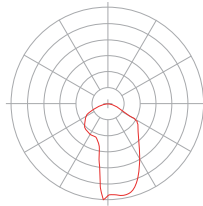
**G 500LMF 80CRI 35K**  
87 lm/W  
2520 delivered lumens per 4' section  
100% down



**ST 500LMF 80CRI 35K**  
84 lm/W  
2439 delivered lumens per 4' section  
100% down



**G 800LMF 80CRI 35K**  
84 lm/W  
3449 delivered lumens per 4' section  
100% down



**ST 800LMF 80CRI 35K**  
82 lm/W  
3339 delivered lumens per 4' section  
100% down

**COMPATIBLE nLIGHT COMPONENTS WITH INTEGRATED CONTROLS**



nPODM DX WH

[SensorSwitch.com/DataSheets/nPODM.pdf](http://SensorSwitch.com/DataSheets/nPODM.pdf)



nPODM 2P DX WH



nPODM 4P DX WH



nPODM 2L WH

[SensorSwitch.com/DataSheets/nPODM-xL.pdf](http://SensorSwitch.com/DataSheets/nPODM-xL.pdf)



nPOD GFX WH

[SensorSwitch.com/DataSheets/nPOD-GFX.pdf](http://SensorSwitch.com/DataSheets/nPOD-GFX.pdf)

**eldoLED COMPATIBILITY** Additional control options with eldoLED 0-10V driver(s).

[PeerlessLighting.com/eldoLED-compatibility](http://PeerlessLighting.com/eldoLED-compatibility)