

PHILIPS
Day-Brite
CFI

Recessed

Arioso shallow
perf 2x4

T5 or T5HO



Project: _____
 Location: _____
 Cat.No: _____
 Type: _____
 Lamps: _____ Qty: _____
 Notes: _____

The Philips Day-Brite / Philips CFI Arioso recessed shallow perf is ideal for shallow ceiling applications and offers simple clean lines in combination with soft natural illumination. With micro-perforated baskets and contoured seamless reflectors, this series focuses on providing smooth comfortable lighting while subtly complementing the space. Flexible enough to integrate with any architectural design, these luminaires provide a soft unassuming glow with comfortable illumination to optimize work and recreational activities.

Ordering guide

Example: 2AVEG228-PMW-UNV-1/2-EB-LPT835HL

Width	Family	Ceiling Type	No. of Lamps (not included)	Lamp Type	Shielding	Voltage	Options
2	AVE	G					
2 2'	AVE Arioso recessed shallow perf	G Grid	2 3	28 28WT5 (46") 54HO 54WT5HO (46")	PMW Perforated metal w/ white overlay SPMW 2-piece perforated metal with white overlay ACR White opal acrylic diffuser	120 277 347 UNV Universal Voltage 120-277V	1/2 One 2-lamp ballast 1/3 One 3-lamp ballast 1/21 2-lamp and 1-lamp ballasts EB Electronic ballast, <10% THD, std. ballast factor EBD7 Advance Mark 7 dimming ballast, 0-10V (low voltage) control EBDX Advance Mark 10 dimming ballast, phase control EBD Electronic dimming ballast, customer specified E7LP LP550 emerg. ballast T5/T5HO, 430-700 lumens, 120/277V E6LP LP600 emerg. ballast U.S. or Canada market, T5/T5HO, 750-1325 lumens, 120/277V F1 3/8" flex 3 wire, 18 gauge 6' F2 3/8" flex 4 wire, 18 gauge 6' F2/5W 3/8" flex, 5 wire 18 gauge 6' GLR Fusing, fast blow LPT830 Installed T5/T5HO lamps, 80+ CRI, 3000K LPT835 Installed T5/T5HO lamps, 80+ CRI, 3500K LPT841 Installed T5/T5HO lamps, 80+ CRI, 4100K LPT830HL Installed T5 hi lumen lamps, 80+ CRI, 3000K LPT835HL Installed T5 hi lumen lamps, 80+ CRI, 3500K LPT841HL Installed T5 hi lumen lamps, 80+ CRI, 4100K CHIC Chicago plenum rated

Accessories (order separately)

- AVHD Hold down clips
- FMA22 2'x2' "F" mounting frame for NEMA "F" mounting



2AVEG Arioso recessed shallow perf 2x4

T5 or T5HO

Application

- Architectural recessed direct/indirect lighting for glare free illumination.
- Low profile reflector and lamp cover provide a sleek, modern appearance.
- Shallow housing requires only 3-5/8" of plenum space, great for shallow plenum applications.
- Housing edge design locates the bottom of the luminaire flush with the ceiling plane in standard grid (NEMA G) or screw slot (NEMA SS) applications.
- NOT suitable for flush mounting in narrow face grid (NEMA NFG) applications.
- Fully recessed mounting, suitable for row mounting.

Construction/Finish

- Top reflector and end panels are formed together with no gaps.
- No visible welding, screws, latches, springs, hooks, rivets or plastic supports.
- Reflector features soft, high reflectance matte white finish that is applied after fabrication.
- Easy ballast access through lamp compartment.
- Optional hold down clips available (order separately: cat # AVHD).

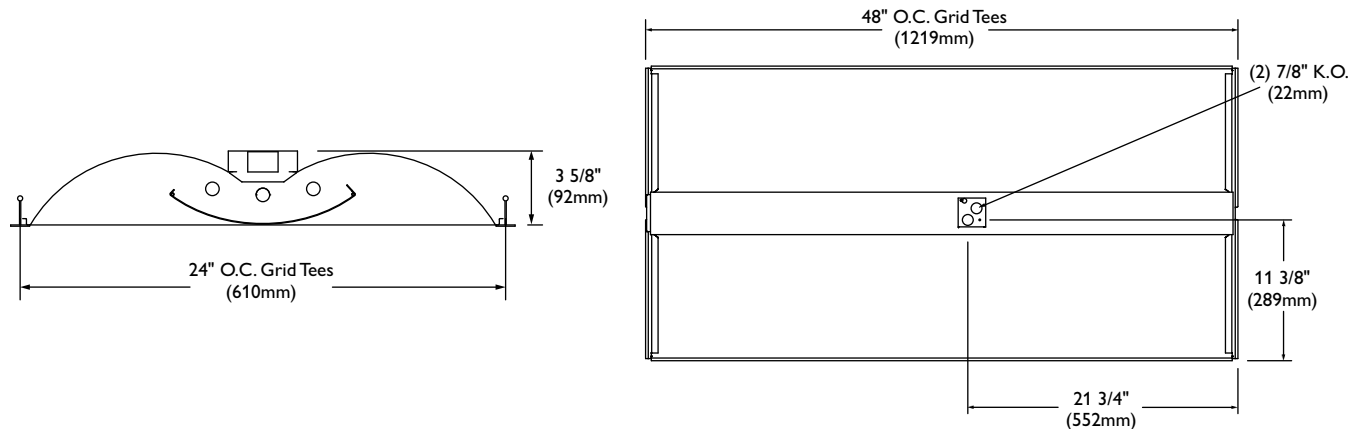
Electrical

- cULus listed for damp locations.
- Self-contained fluorescent emergency power pack can be incorporated.

Enclosure

- Choice of one-piece (PMW) or two-piece (SPMW) perforated lamp shields, or a white opal acrylic diffuser (ACR).
- Micro-perforated mesh lamp shields (PMW or SPMW models) or white opal diffuser provide soft awareness of light source.
- Soft white overlay on inside of micro-perforated mesh (PMW or SPMW models) or white opal diffuser conceals lamp image and balances between reflected and direct light.
- Swing down lamp shield for easy relamping.

Dimensions



2AVEG Arioso recessed shallow perf 2x4

T5 or T5HO

Photometry

Arioso recessed shallow perf (PMW) 2x4 2 lamp T5

Efficiency – 72.3%

LER – 58

TER – 50

Catalog No.	2AVEG228-PMW-1/2-EB	Candlepower				Light Distribution				Average Luminance			
		Angle	End	45	Cross	Degrees	Lumens	% Lamp	% Luminaire	Angle	End	45'	Cross
Test No.	27599	0	1252	1252	1252	0-30	979	18.8	26.0	45	1503	1665	1781
S/MH	1.3	5	1252	1250	1237	0-40	1613	31.0	42.9	55	1363	1682	1886
Lamp Type	28WT5	10	1232	1235	1225	0-60	2913	56.0	77.4	65	1159	1738	1987
Lumens/Lamp	2600	15	1199	1206	1202	0-90	3763	72.4	100.0	75	957	1638	1258
Ballast Factor	1.00	20	1160	1175	1178					85	664	633	695
Input Watts	65	25	1108	1129	1142								
		30	1041	1077	1101								
		35	966	1015	1054								
		40	882	948	998								
		45	790	875	936								
		50	690	796	871								
		55	581	717	804								
		60	469	634	726								
		65	364	546	624								
		70	270	448	468								
		75	184	315	242								
		80	105	113	122								
		85	43	41	45								

Comparative yearly lighting energy cost per 1000 lumens – \$4.14 based on 3000 hrs. and \$.08 pwr KWH.

The photometric results were obtained in the Philips Day-Brite laboratory which is NVLAP accredited by the National Institute of Standards and Technology.

Arioso recessed shallow perf (PMW) 2x4 3 lamp T5

Efficiency – 67.1%

LER – 55

TER – 47

Catalog No.	2AVEG328-PMW-1/21-EB	Candlepower				Light Distribution				Average Luminance			
		Angle	End	45	Cross	Degrees	Lumens	% Lamp	% Luminaire	Angle	End	45'	Cross
Test No.	27598	0	1782	1782	1782	0-30	1394	17.9	26.6	45	2110	2337	2472
S/MH	1.3	5	1776	1782	1753	0-40	2291	29.4	43.7	55	1893	2318	2559
Lamp Type	28WT5	10	1749	1762	1736	0-60	4100	52.6	78.3	65	1598	2340	2604
Lumens/Lamp	2600	15	1706	1724	1708	0-90	5239	67.2	100.0	75	1279	2121	1638
Ballast Factor	1.00	20	1647	1674	1668					85	818	865	926
Input Watts	95	25	1566	1606	1614								
		30	1474	1531	1548								
		35	1367	1437	1474								
		40	1243	1337	1391								
		45	1109	1228	1299								
		50	964	1111	1196								
		55	807	988	1091								
		60	655	866	972								
		65	502	735	818								
		70	366	589	611								
		75	246	408	315								
		80	139	152	165								
		85	53	56	60								

Comparative yearly lighting energy cost per 1000 lumens – \$4.36 based on 3000 hrs. and \$.08 pwr KWH.

The photometric results were obtained in the Philips Day-Brite laboratory which is NVLAP accredited by the National Institute of Standards and Technology.



Some luminaires use fluorescent or high intensity discharge (HID) lamps that contain small amounts of mercury. Such lamps are labeled, "Contain Mercury" and/or the symbol "HG". Lamps that contain mercury must be disposed of in accordance with local requirements. Information regarding lamp recycling and disposal can be found at www.lamprecycle.org

© 2015 Koninklijke Philips N.V. All rights reserved.
Philips reserves the right to make changes in specifications and/or to discontinue any product at any time without notice or obligation and will not be liable for any consequences resulting from the use of this publication.
philips.com/luminaires



Philips Lighting, North America Corporation
200 Franklin Square Drive, Somerset, NJ 08873
Tel. 855-486-2216

Philips Lighting Canada Ltd.
A division of Philips Electronics Ltd.
281 Hillmount Rd, Markham, ON, Canada L6C 2S3
Tel. 800-668-9008