

EDGE EX4D

4" Direct Linear

Key Features

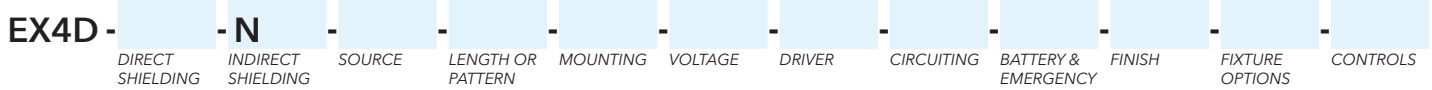
- 6063-T6 Extruded aluminum housing
- Highly reflective die-formed white painted reflector
- Room side maintenance for LED system
- 5-year limited warranty covers LED, driver and fixture
- ETL Listed conforming to UL1598 in US and CSA 250 in Canada
- Approved for dry/damp location unless otherwise noted
- Maximum weight is 20 lbs. for a standard 4' fixture
- Buy American Act compliant
- Run lengths available to an 1/8"



QUICKSHIP



Example Part #: EX4D-HE-N-830HO-26'-AC48G1-U-OL1-1-0-V



---	N	-----	----
DIRECT SHIELDING	INDIRECT SHIELDING	SOURCE ^{QS, 1}	LENGTH OR PATTERN ²
A - Satine Lens ^{QS} AL - Drop Lens HE - High Efficiency ^{QS} BW - Batwing ^{QS} WHE - Asymmetric ^{QS} HED - Descent <i>Shielding pg. 2</i>	N - None <i>Shielding pg. 2</i>	27 - 2700K 30 - 3000K 35 - 3500K (available as BIOS) 40 - 4000K (available as BIOS) TW3 - Tunable White (Blanco 3) CL - Custom Lumens CW - Custom Watts <i>Lumen Output pg. 2-3</i>	--- - Individual Fixture ^{QS} --- - Continuous Row ^{QS} S - Square ^{QS} R_x - Rectangle ^{QS} L_x - L Shape ^{QS} U_x - U-Shape T_x - T-Shape X_x_x - X-Shape M - Mod Layout <i>Length and Pattern pg. 3</i>
-----	-	---	-
MOUNTING ³	VOLTAGE	DRIVER	CIRCUITING
AC_G - (M)AC to Grid ^{QS} AC_JB - (M)AC to J Box ^{QS} AC_ST - (M)AC to Structure ^{QS} AC5_G - 5" Non-Power Canopy AC5_JB - 5" Non-Power Canopy SQ_G - 5" Square Canopy SQ_JB - 5" Square Canopy WA - Wall Mount ^{QS} S - Surface Mount ^{QS} <i>Mounting pg. 4</i>	U - Universal (120 thru 277V) ^{QS} 1 - 120V ^{QS} 2 - 277V ^{QS} 3 - 347V <i>Voltage pg. 4</i>	OL1 - Osram (10%, 0-10v, standard) ^{QS} OL2 - Osram (1%, 0-10v) ^{QS} OL3 - Osram 347v (10%, 0-10v) EE1 - eldoLED ECOdrive (1%, 0-10v) ES1 - eldoLED SOLOdrive (0%, 0-10v) LH1 - Lutron Hi-lume (1%, EcoSystem) ^{QS} L51 - Lutron 5-Series (5%, EcoSystem) PL2 - Advance Xitanium (1%, 0-10v) ^{QS} PR1 - Advance Xitanium SR ND - Non-Dimming ^{QS} <i>Driver pg. 4</i>	1 - Single Circuit ^{QS} M - Multi Circuit E - Emergency (entire fixture) ^{QS} N - Night Light (entire fixture) ^{QS} <i>Circuiting pg. 5</i>
---	---	-----	----
BATTERY & EMERGENCY ⁴	FINISH	FIXTURE OPTIONS ⁵	CONTROLS ⁶
0 - None ^{QS} PL - Philips Bodine 10W IL - Iota 10W Integral ^{QS} E - Emergency Section N - Night Light Section L - Life Safety Section G - Philips Bodine GTD <i>Battery and Emergency pg. 5</i>	W - White ^{QS} S - Metallic Silver ^{QS} BL - Textured Black ^{QS} BR - Bronze GR - Graphite CC - Custom Color <i>Finish pg. 5</i>	QS - Quick Ship ^{QS} <i>Fixture Options pg. 5-6</i>	DLMFC - Wattstopper DLM (wired) NLTAIR - Acuity nLight AIR (wireless) EASYS - Philips EasySense (wireless) SNSLM - Osram Sensillum (wireless) WVLX - Eaton Wavelinx (wireless) VDO - Lutron Vive Sensor (wireless) VRF - Lutron Vive Connected (wireless) ENL - Enlighted (wireless) <i>Controls pg. 6</i>

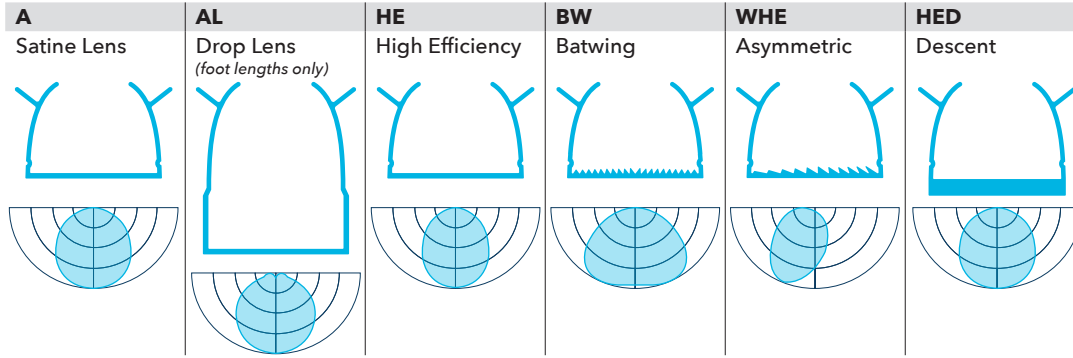
¹When specifying SOURCE the first _ is for specifying either **8** - 80CRI, **9** - 90CRI or **B** - Bios. The ending __ are for specifying output, example **HO** - High Output. When specifying BIOS use **B** and then specify color temperature, either 3500K or 4000K, and output, example **B35HO** - BIOS 3500K High Output. See output charts for more information. ²Individual fixtures come in 2', 3', 4', 5', 6', 7' & 8' lengths. Continuous row come in 1/8" increments. For Mod layouts specify pattern shape and overall dimensions. Example: L6x4: L pattern that is 6'x4'. ³Specify AC Cable: Standard single AC = AC or Movable AC = MAC; Specify AC length standard AC is 48"; Specify grid: G1=15/16", G9=9/16", GS=Screw Slot. Example: AC48G1 ⁴Enter quantity for Battery and Emergency, Example 2P. ⁵QS must be used in fixture options section of part number to qualify. 1/8" increments not available for QS. ⁶Controls can only be used with Single Circuit (**1**) or Emergency Circuit (**E**). See Controls chart on page 6 for driver options and more information.

Specifications and dimensions subject to change without notice. Specification sheets that appear on pinnacle-ltg.com are the most recent version and supersede all other previously printed or electronic versions.



Direct Shielding

Indirect Shielding



Source: White LED¹

- Specify either 80 or 90 CRI
- Longer lead-time may apply for 90 CRI. Consult factory
- 80 CRI = R9≥19 and 90 CRI = R9≥61

Custom Output - Lumens OR Wattage

CL _____	Specify CRI, CCT and desired lumens (i.e. CL835500)	Specify lumens between standard offering listed below. Lumens are specified per color temp
CW _____	Specify CRI, CCT and desired wattage (i.e. CW9407)	Specify watts between standard offering listed below

80 CRI

	Color	Lumens per foot	Shielding ¹											
			A Satine		AL Drop		HE High Efficiency		BW Batwing		WHE Asymmetric		HED Descent	
			LPW	Watts/ft	LPW	Watts/ft	LPW	Watts/ft	LPW	Watts/ft	LPW	Watts/ft	LPW	Watts/ft
830	3000K	500	111	4.5	101	4.9	123	4.1	124	4.0	124	4.0	111	4.5
830HO	3000K	750	112	6.7	102	7.3	127	5.9	125	6.0	125	6.0	113	6.6
830VHO	3000K	1000	111	11.8	103	9.7	127	7.9	125	8.0	125	8.0	113	8.9
835	3500K	500	114	4.4	105	4.8	127	4.0	125	4.0	125	4.0	115	4.4
835HO	3500K	750	115	6.5	105	7.1	129	5.8	127	5.9	127	5.9	117	6.4
835VHO	3500K	1000	115	8.7	107	9.3	131	7.6	129	7.7	129	7.7	116	8.6
840	4000K	500	114	4.4	105	4.8	127	4.0	125	4.0	125	4.0	115	4.4
840HO	4000K	750	115	6.5	105	7.1	129	5.8	127	5.9	127	5.9	117	6.4
840VHO	4000K	1000	115	8.7	107	9.3	131	7.6	129	7.7	129	7.7	116	8.6

90 CRI

927	2700K	500	91	5.5	83	6.0	104	4.8	103	4.9	103	4.9	93	5.4
927HO	2700K	750	92	8.2	83	9.0	105	7.2	103	7.3	103	7.3	93	8.1
930	3000K	500	99	5.0	90	5.6	111	4.5	111	4.5	111	4.5	101	5.0
930HO	3000K	750	100	7.5	91	8.3	113	6.6	112	6.7	112	6.7	102	7.4
935	3500K	500	99	5.1	89	5.6	111	4.5	110	4.5	110	4.5	100	5.0
935HO	3500K	750	100	7.5	90	8.3	113	6.7	111	6.7	111	6.7	101	7.4
940	4000K	500	99	5.1	89	5.6	111	4.5	110	4.5	110	4.5	100	5.0
940HO	4000K	750	100	7.5	90	8.3	113	6.7	111	6.7	111	6.7	101	7.4

Source: BIOS¹

- CRI >84, R9 >90
- Spectrum focused lighting for circadian stimulus
- High EML or M/P ratio: .8 for 3500K, .9 for 4000K
- COI: ≤3.3
- Available for use with most Driver or Control options

Custom Output - Lumens OR Wattage

CLB _____	Specify CRI, CCT and desired lumens (i.e. CL835500)	Specify lumens between standard offering listed below. Lumens are specified per color temp
CWB _____	Specify CRI, CCT and desired wattage (i.e. CW9407)	Specify watts between standard offering listed below

BIOS

	Color	Lumens per foot	Shielding ¹					
			A Satine		HE High Efficiency		BW Batwing	
			LPW	Watts/ft	LPW	Watts/ft	LPW	Watts/ft
B35	3500K	500	69	7.2	79	6.3	79	6.3
B35HO	3500K	750	69	10.9	80	9.4	79	9.6
B35VHO	3500K	1000	N/A	N/A	77	13.0	N/A	N/A
B40	4000K	500	71	7.0	81	6.1	80	6.2
B40HO	4000K	750	70	10.6	82	9.1	81	9.3
B40VHO	4000K	1000	N/A	N/A	79	12.6	N/A	N/A

¹LPW and watts/ft based off 48" fixture size.

Specifications and dimensions subject to change without notice. Specification sheets that appear on pinnacle-ltg.com are the most recent version and supersede all other previously printed or electronic versions.



Source: Blanco¹

- CRI >90, R9 >92
- 3 Channel tunable white for precise black body curve CCT
- Allows for high color consistency between fixtures

- Self-commissioning with Wattstopper DLM integrated controls
- Requires Control Ordering Code **B3LM** (pg. 6)
- Requires Drive Ordering Code **EC2** (pg. 4)

Blanco 3 Tunable White (TW3)

TW3	Range	Shielding ¹			HE High Efficiency			BW Batwing		
		A Satine Lumens/ft	LPW	Watts/ft	Lumens/ft	LPW	Watts/ft	Lumens/ft	LPW	Watts/ft
	2700-6500K	635	74	8.6	720	84	8.6	712	83	8.6

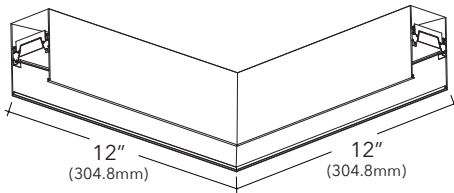
¹Lumens/ft LPW and watts/ft based off 48" fixture at full output at 4000K.

Length

- For Continuous Runs, add 3/16" (4.7mm) for each end plate or 3/8" (9.5mm) to the overall length of the row
- BIOS and Blanco3 are only available in foot lengths

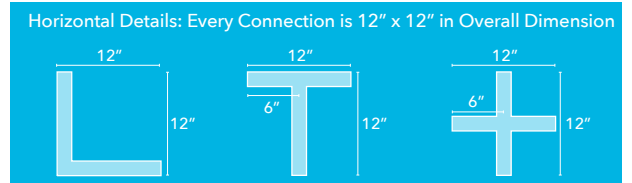
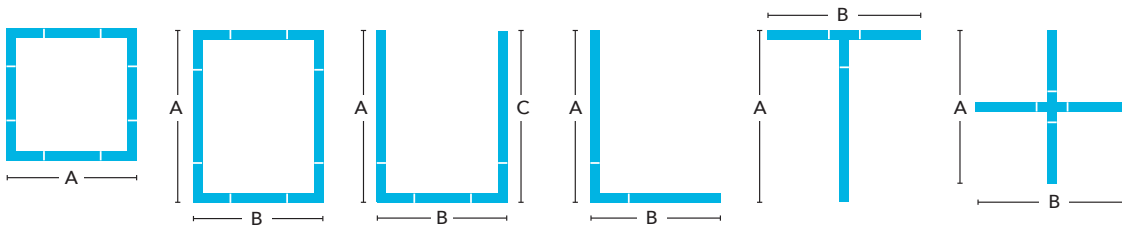
2	3	4	5	6	7	8	-
Indiv. Fixture	Indiv. Fixture	Indiv. Fixture	Indiv. Fixture	Indiv. Fixture	Indiv. Fixture	Indiv. Fixture	Cont. Run
24-3/8" (619.1mm)	36-3/8" (934.8mm)	48-3/8" (1228.7mm)	60-3/8" (1533.5mm)	72-3/8" (1838.3mm)	84-3/8" (2143.1mm)	96-3/8" (2447.9mm)	Specify nominal overall row length to the 1/8" Longer lead-time may apply for lengths to the 1/8". Consult factory.
							Specify to the 1/8" >>>

Pattern



- Specify pattern shape and overall dimensions (includes corner dimensions)
- Refer to dimensions table below for available standard lengths
- All connectors are direct only
- 90 degree horizontal corners are 12"x12" (overall, outside dimension)
- Angles and shapes not shown require Mod Pattern; consult factory
- Only available with "A" or "HE" lens options

S_	R_x_	U_x_x_	L_x_	T_x_	X_x_	M
Square Provide A dimension Example: S4' Minimum Length- 4'x4'	Rectangle Provide AxB dimensions Example: R4'x4' Minimum Length- 4'x4'	U-Shape Provide AxBxC dimensions Example: U3'x4'x3' Minimum Length- 3'x4'x3'	L-Shape Provide AxB dimensions Example: L3'x3' Minimum Length- 3'x3'	T-Shape Provide AxB dimensions Example: T3'x5' Minimum Length- 3'x5'	X-Shape Provide AxB dimensions Example: X5'x5' Minimum Length- 5'x5'	Mod Layout For patterns or lengths not shown or standard



Specifications and dimensions subject to change without notice. Specification sheets that appear on pinnacle-ltg.com are the most recent version and supersede all other previously printed or electronic versions.

Designed in Denver, CO • USA | pinnacle-ltg.com | O: 303-322-5570 F: 303-322-5568

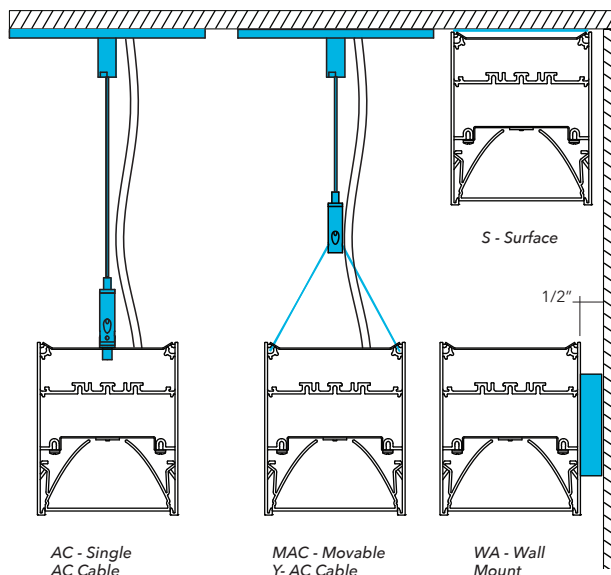


Mounting

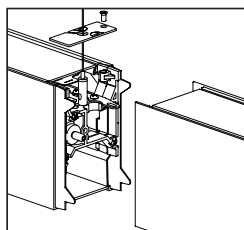
- Specify cable length in ordering code (AC48G1)
- Standard adjustable cable. Specify 48", 120", 240" or 350"
- End plates and power cord attached at factory
- Aircraft cable (AC) mounts on 4' (1219.2mm) and 8' (2438.4mm) centers
- Maximum recommended movable mounting locations are 12" from end of 4' fixture and 18" from end of 8' fixture
- Aircraft Cable supplied with 5" (127mm) power and 2" (50.8mm) non-power canopies

AC_G1	Aircraft Cable 1" (15/16") T-Bar
AC_G9	Aircraft Cable 9/16" T-Bar
AC_GS	Aircraft Cable Screw Slot T-Bar
AC_JB	Aircraft Cable Junction Box
AC_ST	Aircraft Cable Structure
AC5_G	Aircraft Cable 5" (127mm) Non-Power Canopy
AC5_JB	Aircraft Cable 5" (127mm) Non-Power Canopy
SQ_G	Aircraft Cable 5" (127mm) Square Canopy
SQ_JB	Aircraft Cable 5" (127mm) Square Canopy
MAC_G1	Moveable AC 1" (15/16") T-Bar
MAC_G9	Moveable AC 9/16" T-Bar
MAC_GS	Moveable AC Screw Slot T-Bar
MAC_JB	Moveable AC Junction Box
MAC_ST	Moveable AC Structure
MAC5_G	Moveable AC 5" (127mm) Non-Power Canopy
MAC5_JB	Moveable AC 5" (127mm) Non-Power Canopy
MSQ_G	Moveable AC 5" (127mm) Square Canopy
MSQ_JB	Moveable AC 5" (127mm) Square Canopy
WA	Wall Mount
S	Surface Mount

- Canopies and pendants match fixture finish, power cords are white, grey, or black depending on fixture finish. See Finish section for additional details.
- Approved for dry/damp location unless otherwise noted
- Refer to installation instructions during installation at the job site
- Maximum fixture weight is 20 lbs for a standard 4' fixture



Straight EDGE Joint System



- The Straight EDGE Joint comes standard for all runs.
- Two connection points - one to cinch fixtures together, the other to perfectly align all fixtures in a run.
- Factory-installed light shields on both sides of the fixture ensure no light leaks.
- Patented.

Voltage

- Some EX2D configurations will not accommodate all voltage options; consult with factory

U	Universal
1	120 volt
2	277 volt
3	347 volt

Driver

- Standard Driver Option = OL1
- Driver Lifetime: 50,000 hours at 25°C ambient operating conditions
- For more driver options see Pinnacle Resource Guide
- Some EX2D configurations will not accommodate all driver options; consult with factory

OL1	Osram Optotronic 10%, 0-10v
OL2	Osram Optotronic 1%, 0-10v, nominal 1% dimming range
OL3	Osram Optotronic 347v 10%, 0-10v, <i>requires 347v option</i>
OL5	Osram Optotronic 1%, 0-10v, AUX
OD1	Osram Optotronic 1%, DEXAL
EE1	eldoLED ECOdrive 1%, 0-10v Logarithmic
EE6	eldoLED ECOdrive 1%, for nLight Air Wireless
ES1	eldoLED SOLOdrive 0%, 0-10v Logarithmic
ES6	eldoLED SOLOdrive 0%, <i>for nLight Air Wireless</i>
LH1	Lutron Hi-lume Soft-on, Fade-to-black 1%, EcoSystem, LDE1
L51	Lutron 5-Series 5%, EcoSystem, LDE5
PL2	Philips Advance Xitanium 1%, 0-10v
PR1	Philips Advance Xitanium SR, <i>requires EASY, VDO, or VRF</i>
EC2	Constant Voltage LED driver, 120v or 277v required
ND	Non-Dimming

Specifications and dimensions subject to change without notice. Specification sheets that appear on pinnacle-ltg.com are the most recent version and supersede all other previously printed or electronic versions.

Designed in Denver, CO • USA | pinnacle-ltg.com | O: 303-322-5570 F: 303-322-5568

EX4D_LED_SPEC_MARCH2020



How to Specify Circuiting, Battery and Emergency

- 1**
- Select fixture circuiting from options below
 - Some EX2D configurations will not accommodate all circuiting options, consult with factory

Circuiting

1	Single Circuit
M	Multi Circuit
E	Emergency Circuit only
N	Night Light Circuit only

- 2** + **3**
- Battery and emergency section options are available in addition to fixture circuit
 - Select battery and emergency section options below; factory shop drawing required
 - Some EX2D configurations will not accommodate all circuiting options, consult with factory

Battery and/or Emergency *If Required*

0	No battery or specific emergency section required
----------	---

Battery

- Select battery section type if required, indicate total QTY. *Example 2PL*
- 90 minute battery runtime; test button location dependant on configuration, consult factory
- No battery option available for 2' lengths
- Entire direct fixture housing is on battery for lengths up to 5'
- Half of direct fixture is on battery for 6' or 8' housing lengths
- For more battery options available, see Pinnacle Resource Guide

For Approximate Battery Lumen Output

- Multiply battery wattage X fixture LPW shown on Lumen Table
- 92.3 (LPW) x 10 (watts) = 923 battery lumen output

0	No battery
_PL	Philips Bodine 10w Integral
_IL	Iota 10w Integral

Battery OR Emergency Ordering Examples

- | | |
|--|----------------------|
| • Single circuit, 10w Integral Battery | Ordering Code: 1-1PL |
| • Emergency only, 10w Integral Battery | Ordering Code: E-1PL |
| • Single circuit, GTD required | Ordering Code: 1-1G |

Emergency

- Select emergency section type if required, indicate total QTY. *Example 1E*
- Combine battery and emergency section ordering codes if both options are selected

_E	Emergency circuit section
_N	Night Light circuit section
_L	Life Safety circuit section NO THROUGH WIRE
_G	Philips Bodine GTD, Generator Transfer Device section

Combination Section Ordering Examples

- | | |
|--|------------------------|
| • Single circuit, (1) 10w battery, (1) emergency section | Ordering Code: 1-1PL1E |
| • Multi circuit, (2) 10w battery, (2) emergency sections | Ordering Code: M-2PL2E |
| • Single circuit, (1) night light section | Ordering Code: 1-1N |

Finish

- Standard powder-coat textured white, metallic silver, textured black, graphite or bronze painted finish; consult factory for chip of standard paint finishes
- Selecting a fixture finish other than white may impact lumen output; consult factory for more information

W	White (<i>white cord/white canopy</i>)
S	Metallic Silver (<i>grey cord/silver canopy</i>)
BL	Textured Black (<i>black cord/black canopy</i>)
BR	Bronze (<i>white cord/bronze canopy</i>)
GR	Graphite (<i>white cord/graphite canopy</i>)
CC	Custom Color (<i>white cord/color match canopy</i>)

Fixture Options

- Additional options to enhance the fixture and finish of the product
- Specify CC-C to match housing. If not specified, canopy will be standard matte white

QS	Quick Ship
-----------	------------



Quick Ship

Shielding	CRI, CCT & Output	Mounting	Voltage	Driver	Circuiting	Battery	Finish						
10-Day													
A HE BW WHE	80 CRI, all color temperatures, all lumen packages <i>See pg 2</i>	(M)AC48G_ (M)AC48JB (M)AC48ST WA S	(M)AC to Grid (M)AC to J_BOX (M)AC to Structure Wall Mount Surface Mount	U 1 2	Universal (120-277) 120V 277V	OL1 OL2 PL2 LH1 ND	Osram 0-10v, 10% Osram 0-10v, 1% Advance Xitanium 0-10v, 1% Lutron LDE1 Non- Dimming	1 E N	Single Circuit Emergency Night Light	0 _IL	None Iota 10w Integral	W S BL	White Silver Black

All lengths and continuous rows up to 1,000 ft OR 150 individual fixtures. Black QuickShip only available in 4', 6', and 8' individual lengths. Consult factory for larger projects.

Controls

- Pinnacle Lighting offers easy to specify network control solutions that connect to an intelligent centralized system to maximize lighting energy efficiencies or integral sensors for individual fixture control
- Pinnacle Lighting fixtures ship technology ready; commissioning by others
- Controls can only be used with Single Circuit (1) or Emergency Circuit (E)
- Contact factory for any non-standard configurations for layout, placement, or EM options
- One drop/sensor per run typical, contact factory for more information

	Solution	Components	Network/Sensor	Connection	Required Drivers	Limitations
DLMFC	Legrand Wattstopper DLM	LMFC-011	Digital Lighting Management (DLM)	Wired, two RJ45 ports	Any 0-10v	Not available with Battery
NLTAIRS	Acuity nLight AIR Wireless	RES7 G2	nLight, Daylight/PIR Occupancy Sensor	Wireless	EE6, ES6	Not available with 347 volt
NLTAIRM	Acuity nLight AIR Wireless	RES7 PDT G2	nLight, Daylight/PIR Occupancy Sensor	Wireless	EE6, ES6	Not available with 347 volt
NLTAIR	Acuity nLight AIR Wireless Connected	RIO EZDL G2	nLight	Wireless	EE6, ES6	Not available with 347 volt
EASYS	Philips EasySense	SNS-200	Daylight/PIR Occupancy	Wireless to switches	PR1	Not available with 347 volt
SNSLM	Osram Sensilum	EN-CLM-PIR-DD-ZB	Encelium, Daylight/PIR Occupancy	Wireless	OD1, OL1, OL2	Not available with 347 volt
WLVX	Eaton Wavelinx	SWPD1, NSP3IVMVDC1	WaveLinx WCL, Daylight	Wireless	Any 0-10v	Not available with 347 volt
VDO	Lutron Vive Sensor	DFCSJ-OEM-OCC	Vive, Daylight/PIR Occupancy	Wireless	OD1, PR1	Not available with 347 volt
VRF	Lutron Vive Connected	DFCSJ-OEM-RF	Vive	Wireless	OD1, PR1	Not available with 347 volt
ENLI	Enlighted	SU-5E-IOT, CU-4E	Enlighted, Daylight/PIR Occupancy	Wireless	Any 0-10v	Not available with 347 volt
ENLC	Enlighted	SU-5E-CL, CU-4E	Enlighted, Daylight/PIR Occupancy	Wireless	Any 0-10v	Not available with 347 volt

Controls: Tunable White

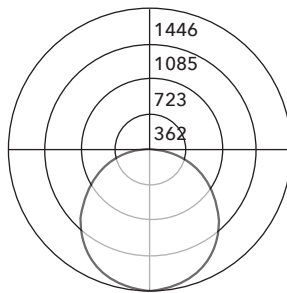
- Pinnacle Lighting offers easy to specify tunable white solutions for integrated building control solutions or standalone controls
- Pinnacle Lighting fixtures ship technology ready; commissioning by others
- Controls can only be used with Single Circuit (1) or Emergency Circuit (E)
- Contact factory for any non-standard configurations for layout or placement

	Solution	Components	Network/Sensor	Connection	RQD Drivers	RQD LED	RQD Controls	Limitations
B3LM	Legrand Wattstopper Blanco 3	BLM3-DLM	Digital Lighting Management (DLM)	Wired, two RJ45 ports	EC2	TW3	B3LM	Not available with 347 volt

Photometrics

Satine Lens

Test # ITL91449
Catalog # EX4D-A-840VHO-4
Lumens 4125 lm
Watts 36.4 W
Efficacy 113 LPW



Candela Distribution

Vert Angle	Horizontal Angle				
	0	22.5	45	67.5	90
0	1446	1446	1446	1446	1446
5	1439	1440	1440	1440	1440
10	1422	1420	1423	1423	1423
15	1393	1383	1391	1392	1389
20	1347	1338	1346	1346	1344
25	1292	1280	1289	1289	1286
30	1225	1214	1222	1220	1217
35	1149	1137	1146	1141	1138
40	1062	1054	1059	1054	1052
45	969	960	963	958	954
50	865	859	860	854	852
55	756	751	750	743	744
60	641	635	633	629	626
65	522	518	516	511	511
70	399	395	392	391	391
75	276	275	275	274	275
80	161	163	164	164	166
85	67	67	69	69	69
90	0	0	0	0	0

Luminance Data (cd/sq.m)

Angle In Degrees	Average 0-Deg	Average 45-Deg	Average 90-Deg
45	11170	11101	10997
55	10744	10658	10573
65	10068	9952	9856
75	8692	8661	8661
85	6266	6453	6453

For all available IES files, please visit our website at pinnacle-ltg.com. Photometry testing in accordance to IESNA-LM-79-08 at an NVLAP accredited testing laboratory. Testing conducted at 25°C ambient conditions.

Specifications and dimensions subject to change without notice. Specification sheets that appear on pinnacle-ltg.com are the most recent version and supersede all other previously printed or electronic versions.

Designed in Denver, CO • USA | pinnacle-ltg.com | O: 303-322-5570 F: 303-322-5568



Applications & Certificates

Construction: 6063-T6 Extruded aluminum housing. Highly reflective steel white painted reflector.

Shielding: Diffuse snap-in acrylic lens, removable for maintenance.

Mounting: Aircraft cable and wall mount available. Select from 2 aircraft cable options. Select the straight aircraft cable that mounts on 4'-0" (1219.2mm) and 8'-0" (2438.4mm) centers or the moveable adjustable Y-cable mount. The Y-Cable design allows for adjustable mounting locations. Aircraft Cable supplied with 5" (127mm) power and 2" (50.8mm) non-power canopies. Refer to installation instructions for appropriate ceiling detail. Canopies are painted white unless otherwise specified. Maximum fixture weight is 20 lbs. for a standard 4' fixture.

White LED: 25°C test environment. Lumen output/wattage has a margin of +/- 5%; 2' or 3' lengths may have a greater wattage deviation. All luminaire configurations tested in accordance with IES LM-79. Diodes tested in accordance with IES LM-80. Lifetime calculated using IES TM-21. Minimum lifetime greater than 60,000 hours. Lifetime Projection L70 = 146,500 hours and L90 = 45,000 hours. MacAdam 3-Step Ellipses. Not all products are Lighting Facts listed. For all available IES files, please visit our website at pinnacle-ltg.com. Three lumen packages available. Standard, High (HO) and Very High (VHO). Custom outputs are available. Specify custom lumens or watts between standard offering listed on CRI, CCT & Output page. 80 CRI is available for 3000K, 3500K, and 4000K. 90 CRI is available for 2700K, 3000K, 3500K, and 4000K. 80 CRI = R9≥19 and 90 CRI = R9≥61.

BIOS LED: Spectrum focused lighting for circadian stimulus. EML or M/P ratio: .8 for 3500K, .9 for 4000K. COI >3.0. Not all lumen packages available. Three lumen packages available. Standard, High (HO) and Very High (VHO). Custom outputs are available. Specify custom lumens or watts between standard offering listed on CRI, CCT & Output page.

Tunable White LED: Blanco 3; 3 Channel tunable white for precise black body curve CCT. Self-commissioning with Wattstopper DLM integrated controls. Custom lumen output and color temperature configurations require use of controls.

Voltage: Universal (U), 120 volt (1), 277 volt (2) and 347 volt (3) options available. Must specify OL3 in Driver section when 347 volt (3) is selected. Some EDGE configurations will not accommodate all voltage options; consult with factory.

Driver: Standard Driver Option is Osram 0-10V, 10% = OL1. Electronic driver, Power factor is >0.9 with a THD <20%. Driver Lifetime: 50,000 hours at 25°C ambient operating conditions. Ambient operating range: -20°F/-30°C to 122°F/50°C. For more driver options, see Pinnacle Resource Guide. Some EDGE configurations will not accommodate all driver options.

Circuiting: Select from single circuit (1), Multi circuit - For multiple circuiting and zone control, requires factory shop drawing (M), Emergency circuit (E), Life Safety (L) or Night Light circuit (N). For emergency circuiting situations that require no through wire or circuit separation, Life Safety Circuit should be selected. This will provide a separate power feed and only the Life Safety Circuit in that section. Some EDGE configurations will not accommodate all circuiting options; consult with factory.

Battery & Emergency: Select battery or emergency options if required. If battery or emergency option is not required, enter 0. Battery duration is 90 minutes as standard. Test button location dependant on configuration, consult factory. For more Battery options, see Pinnacle Resource Guide.

Finish: Standard powder-coat textured white, metallic silver, textured black, graphite or bronze painted finish; consult factory for chip of standard paint finishes or for additional custom color and finish options.

Controls: DLM utilizes wired network connections for digital control through switching and dimming. nLight Air rES7 sensor provides wireless control, daylight harvesting and occupancy detection with PIR using eldoLED LED drivers. nLight Air rES7 sensor provides wireless control, daylight harvesting and occupancy detection with PDT using eldoLED LED drivers. nLight Air rIO module provides wireless control using eldoLED LED drivers. EasySense sensor provides daylight harvesting and PIR occupancy detection using the SR LED driver; the Philips app provides advanced configurations. ENCELIUM SensiLUM sensor provides wireless control, daylight harvesting and PIR occupancy; driver data is available when using the DEXAL driver. ENCELIUM SensiLUM sensor provides wireless control, daylight harvesting and PIR occupancy; driver data is available when using the DEXAL driver. Wavelinx Connected Lighting sensor provides wireless control and daylight harvesting using 0-10V LED drivers. Lutron Vive sensor provides wireless control, daylight harvesting and PIR occupancy detection using DEXAL or SR LED drivers. Lutron Vive module provides wireless control using DEXAL or SR LED drivers. Enlighted Smart Sensor provides multi-functionality including daylight harvesting and PIR occupancy; for IOT platform using 0-10v LED drivers. Enlighted Smart Sensor provides multi-functionality including daylight harvesting and PIR occupancy; for Connected platform using 0-10v LED drivers.

Labels: ETL listed conforming to UL1598 and CSA 250. Standard, HO and VHO lumen packages are IC Rated, approved for dry/damp location unless otherwise noted.

Fixture Weight: Maximum fixture weight is 20lbs per 4' fixture.

Buy American Act Compliant

Warranty: EDGE LED offered with a 5-year limited warranty. Covers LED, driver and fixture.