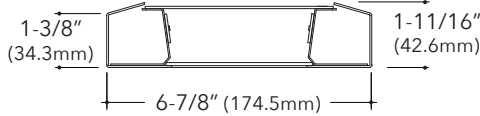




LINERO L6DI-A

Single Source Linear



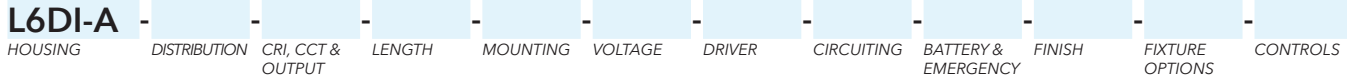
Key Features

- One piece die-formed 18 gauge steel housing
- Highly reflective die-formed white painted steel reflector
- Die-cast aluminum end caps
- LINERO offered with a 5-year limited warranty that covers LED, driver and fixture
- UL and cUL Listed
- Approved for dry/damp location
- Maximum fixture weight is 17 lbs per standard 4' fixture
- Room-Side Maintenance for LED system
- Buy American Act compliant



GET A QUOTE >

Example Part #: L6DI-A-70-835HO-26'-AC48G1-U-OL1-1-0-W



L6DI-A	---	-----	---
HOUSING	DISTRIBUTION	CRI, CCT & OUTPUT ^{QS, 1}	LENGTH ²
L6DI-A - LINERO 6 with Satine Lens ^{QS} <i>Shielding pg. 2</i>	40 - 40% Direct / 60% Indirect ^{QS} 70 - 70% Direct / 30% Indirect ^{QS} 100 - 100% Direct ^{QS} <i>Shielding pg. 2</i>	_27_ - 2700K _30_ - 3000K _35_ - 3500K (available with BIOS) _40_ - 4000K (available with BIOS) CL - Custom Lumens CW - Custom Watts <i>Lumen Output pg. 2-5</i>	_ _ - Individual Fixture ^{QS} _ _ - Continuous Row ^{QS} <i>Length pg. 5</i>
---	-----	-	---
MOUNTING ³	VOLTAGE	DRIVER	CIRCUITING
AC_ _G_ - AC to Grid ^{QS} AC_ _JB - AC to J Box ^{QS} AC_ _ST - AC to Structure ^{QS} AC5_ _G_ - 5" Non-Power Canopy AC5_ _JB - 5" Non-Power Canopy SQ_ _G_ - 5" Square Canopy SQ_ _JB - 5" Square Canopy WA - Wall Mount <i>Mounting pg. 5</i>	U - Universal ^{QS} (120 thru 277V) 1 - 120V ^{QS} 2 - 277V ^{QS} 3 - 347V <i>Voltage pg. 6</i>	OL1 - Osram (10%, 0-10v, standard) ^{QS} OL2 - Osram (1%, 0-10v) OL5 - Osram (1%, 0-10v, AUX) OL5 - Osram (1%, 0-10v, DEXAL) EE1 - eldoLED ECOdrive (1%, 0-10v) ES1 - eldoLED SOLOdrive (0%, 0-10v) ^{QS} LH1 - Lutron Hi-lume (1%, EcoSystem) ^{QS} L51 - Lutron 5-Series (5%, EcoSystem) PS1 - Advance Xitanium (50%/100%) ND - Non-Dimming ^{QS} <i>Driver pg. 6</i>	1 - Single Circuit ^{QS} M - Multi Circuit E - Emergency ^{QS} (entire fixture) N - Night Light ^{QS} (entire fixture) <i>Circuiting pg. 6</i>
-	---	--	---
BATTERY & EMERGENCY ⁴	FINISH	FIXTURE OPTIONS ⁵	CONTROLS ⁶
0 - None ^{QS} _IL - Iota Integral 10W (low profile) _PL - Bodine 10W (low profile) ^{QS} _E - Emergency circuit section _N - Night Light circuit section _L - Life Safety circuit section _G - Bodine GTD <i>Battery and Emergency pg. 6</i>	W - White ^{QS} S - Metallic Silver BL - Textured Black BR - Bronze GR - Graphite CC - Custom Color <i>Finish pg. 7</i>	QS - QuickShip ^{QS} <i>Fixture Options pg. 7</i>	DLMFC - Wattstopper DLM (wired) NLTAIR - Acuity nLight AIR (wireless) EASYS - Philips EasySense (wireless) SNSLM - Osram Sensilum (wireless) WVLX - Eaton WaveLinX (wireless) VDO - Lutron Vive Sensor (wireless) VRF - Lutron Vive Connected (wireless) ENL - Enlighted (wireless) <i>Controls pg. 7</i>

¹When specifying SOURCE the first _ is for specifying either **8** - 80CRI, **9** - 90CRI or **B** - BIOS. The ending _ _ are for specifying output, example **HO** - High Output. When specifying BIOS use **B** and then specify color temperature, either 3500K or 4000K, and output, example **B35HO** - BIOS 3500K High Output. See output charts for more information. For Quickship CRI, CCT & Output see chart on page 7 ²Individual fixtures come in 4', 6' & 8' lengths. Continuous rows available in 2' increments, starting at 4'. ³Specify AC Cable length, standard AC is 48"; Specify grid: G1=15/16", G9=9/16", G5=Screw Slot. Example AC48G1. ⁴Enter quantity for Battery and Emergency, Example 2PL. ⁵QS must be used in fixture options section of part number to qualify. 1/8" increments not available for QS. ⁶Controls can only be used with Single Circuit (1) or Emergency Circuit (E). See Controls chart on page 6 for driver options and more information.

Specifications and dimensions subject to change without notice. Specification sheets that appear on pinnacle-ltg.com are the most recent version and supersede all other previously printed or electronic versions.



Distribution

40 40% Direct / 60% Indirect	70 70% Direct / 30% Indirect	100 100% Direct

40% Direct Source: Static White

- Specify either 80 or 90 CRI
- Longer lead-time may apply for 90 CRI. Consult factory
- 80 CRI = R9≥19 and 90 CRI = R9≥61

Custom Output- Lumens OR Wattage

CL _____	Specify CRI, CCT and desired lumens (i.e. CL835950)	Specify lumens between standard offering listed below. Lumens are specified per color temp
CW _____	Specify CRI, CCT and desired wattage (i.e. CW9409.5)	Specify watts between standard offering listed below

80 CRI

	Color	Lumens per foot	Shielding A	
			Satine Watts/ft	LPW
830LO	3000K	400	3.1	127.5
830	3000K	600	4.5	133.3
830HO	3000K	850	6.4	133.2
830VHO	3000K	1250	9.5	131.0
835LO	3500K	400	3.1	130.8
835	3500K	600	4.3	138.1
835HO	3500K	850	6.1	139.7
835VHO	3500K	1250	9.2	135.7
840LO	4000K	400	3.0	131.3
840	4000K	600	4.5	134.2
840HO	4000K	850	6.1	140.3
840VHO	4000K	1250	9.2	136.3

90 CRI

927LO	2700K	400	3.7	108
927	2700K	600	5.4	112
927HO	2700K	850	7.7	111
927VHO	2700K	1250	11.5	108
930LO	3000K	400	3.6	112
930	3000K	600	5.2	116
930HO	3000K	850	7.4	114
930VHO	3000K	1250	11.1	112
935LO	3500K	400	3.5	113
935	3500K	600	5.1	118
935HO	3500K	850	7.3	117
935VHO	3500K	1250	10.9	115
940LO	4000K	400	3.6	112
940	4000K	600	5.1	117
940HO	4000K	850	7.3	116
940VHO	4000K	1250	11.0	114

¹LPW and watts/ft based off 96" fixture size.

Specifications and dimensions subject to change without notice. Specification sheets that appear on pinnacle-ltg.com are the most recent version and supersede all other previously printed or electronic versions.



40% Direct Source: BIOS¹

- CRI >84, R9 >90
- Spectrum focused lighting for circadian stimulus
- High EML or M/P ratio: .8 for 3500K, .9 for 4000K
- COI: ≤3.3
- Available for use with most Driver or Control options

Custom Output- Lumens OR Wattage

CLB _____	Specify CRI, CCT and desired lumens (i.e. CL835950)	<i>Specify lumens between standard offering listed below. Lumens are specified per color temp</i>
CWB _____	Specify CRI, CCT and desired wattage (i.e. CW9409.5)	<i>Specify watts between standard offering listed below</i>

80 CRI

	Color	Lumens <i>per foot</i>	Shielding A	
			Satine Watts/ft	LPW
835LO	3500K	400	4.5	89
835	3500K	600	6.8	89
835HO	3500K	850	9.8	87
835VHO	3500K	1250	15.1	83
840LO	4000K	400	4.5	88
840	4000K	600	6.8	88
840HO	4000K	850	10.0	85
840VHO	4000K	1250	15.3	82

70% Direct Source: Static White¹

Custom Output- Lumens OR Wattage

CL _____	Specify CRI, CCT and desired lumens (i.e. CL835950)	<i>Specify lumens between standard offering listed below. Lumens are specified per color temp</i>
CW _____	Specify CRI, CCT and desired wattage (i.e. CW9409.5)	<i>Specify watts between standard offering listed below</i>

80 CRI

	Color	Lumens <i>per foot</i>	Shielding A	
			Satine Watts/ft	LPW
830LO	3000K	400	3.7	107
830	3000K	600	5.4	111
830HO	3000K	850	7.8	110
830VHO	3000K	1250	11.7	107
835LO	3500K	400	3.6	111
835	3500K	600	5.2	115
835HO	3500K	850	7.5	114
835VHO	3500K	1250	11.2	111
840LO	4000K	400	3.6	111
840	4000K	600	5.2	115
840HO	4000K	850	7.5	114
840VHO	4000K	1250	11.2	112

90 CRI

927LO	2700K	400	4.5	90
927	2700K	600	6.5	92
927HO	2700K	850	9.3	91
927VHO	2700K	1250	14.0	89
930LO	3000K	400	4.3	93
930	3000K	600	6.2	97
930HO	3000K	850	9.0	94
930VHO	3000K	1250	13.6	92
935LO	3500K	400	4.2	94
935	3500K	600	6.1	99
935HO	3500K	850	8.8	96
935VHO	3500K	1250	13.3	94
940LO	4000K	400	4.3	94
940	4000K	600	6.1	98
940HO	4000K	850	8.9	96
940VHO	4000K	1250	13.4	94

¹LPW and watts/ft based off 96" fixture size.

Specifications and dimensions subject to change without notice. Specification sheets that appear on pinnacle-ltg.com are the most recent version and supersede all other previously printed or electronic versions.



70% Direct Source: BIOS¹

Custom Output- Lumens OR Wattage

CLB _____	Specify CRI, CCT and desired lumens (i.e. CL835950)	<i>Specify lumens between standard offering listed below. Lumens are specified per color temp</i>
CWB _____	Specify CRI, CCT and desired wattage (i.e. CW9409.5)	<i>Specify watts between standard offering listed below</i>

80 CRI

	Color	Lumens <i>per foot</i>	Shielding A	
			Satine Watts/ft	LPW
835LO	3500K	400	5.3	75
835	3500K	600	8.1	74
835HO	3500K	850	11.9	72
835VHO	3500K	1250	18.4	68
840LO	4000K	400	5.5	73
840	4000K	600	8.4	72
840HO	4000K	850	12.1	70
840VHO	4000K	1250	19.0	66

100% Direct Output

Custom Output- Lumens OR Wattage

CL _____	Specify CRI, CCT and desired lumens (i.e. CL835950)	<i>Specify lumens between standard offering listed below. Lumens are specified per color temp</i>
CW _____	Specify CRI, CCT and desired wattage (i.e. CW9409.5)	<i>Specify watts between standard offering listed below</i>

80 CRI

	Color	Lumens <i>per foot</i>	Shielding A	
			Satine Watts/ft	LPW
830LO	3000K	400	3.8	106
830	3000K	600	5.4	110
830HO	3000K	850	7.8	109
830VHO	3000K	1250	11.7	107
835LO	3500K	400	3.6	110
835	3500K	600	5.3	114
835HO	3500K	850	7.5	113
835VHO	3500K	1250	11.3	111
840LO	4000K	400	3.6	111
840	4000K	600	5.2	115
840HO	4000K	850	7.5	114
840VHO	4000K	1250	11.2	111

90 CRI

	Color	Lumens	Shielding A	
			Satine Watts/ft	LPW
927LO	2700K	400	4.5	89
927	2700K	600	6.5	92
927HO	2700K	850	9.4	91
927VHO	2700K	1250	14.1	89
930LO	3000K	400	4.3	92
930	3000K	600	6.2	96
930HO	3000K	850	9.1	94
930VHO	3000K	1250	13.6	92
935LO	3500K	400	4.3	94
935	3500K	600	6.1	98
935HO	3500K	850	8.9	96
935VHO	3500K	1250	13.3	94
940LO	4000K	400	4.3	94
940	4000K	600	6.1	98
940HO	4000K	850	8.9	95
940VHO	4000K	1250	13.4	93

¹LPW and watts/ft based off 96" fixture size.

Specifications and dimensions subject to change without notice. Specification sheets that appear on pinnacle-ltg.com are the most recent version and supersede all other previously printed or electronic versions.



100% Direct Source: BIOS¹

Custom Output- Lumens OR Wattage

CLB _____	Specify CRI, CCT and desired lumens (i.e. CL835950)	<i>Specify lumens between standard offering listed below. Lumens are specified per color temp</i>
CWB _____	Specify CRI, CCT and desired wattage (i.e. CW9409.5)	<i>Specify watts between standard offering listed below</i>

80 CRI

	Color	Lumens per foot	Shielding A	
			Satine Watts/ft	LPW
835LO	3500K	400	5.0	79
835	3500K	600	7.7	78
835HO	3500K	850	11.2	76
835VHO	3500K	1250	17.3	72
840LO	4000K	400	5.5	73
840	4000K	600	8.4	71
840HO	4000K	850	12.1	70
840VHO	4000K	1250	19.1	65

¹LPW and watts/ft based off 96" fixture size.

Length

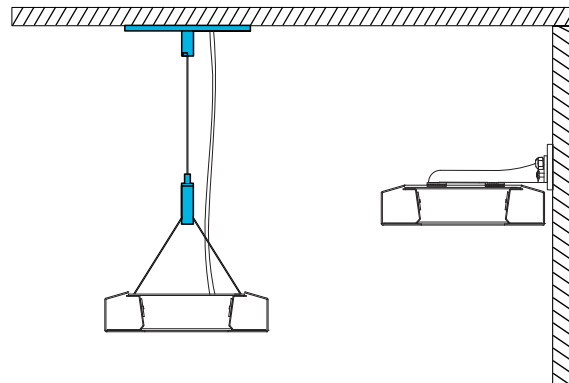
- All individual units cannot be joined, end caps are factory installed and cannot be removed
- Add 3/8" for each end cap or 3/4" to the overall length of the row
- Aperture sizes vary, 4' fixtures have a single 45-7/16" long aperture, 6' fixtures have two 33-11/16" long apertures, and 8' fixtures have two 45-7/16" long apertures

4	6	8	-
Individual Fixture	Individual Fixture	Individual Fixture	Continuous Run
48" (1,219mm)	72" (1,829mm)	96" (2,438mm)	Continuous rows available in 2' increments, starting at 4'
Specify to the 2', starting at 4' >>>			

Mounting

- Specify cable length in ordering code (AC48G1)
- Standard adjustable cable. Specify 48", 120", 240" or 350"
- Adjustable aircraft cable mounts on 4'-0" (1,219mm), 6'-0" (1,829mm) or 8'-0" (3438.4mm) center
- End caps and standard white power cord attached at factory
- Aircraft Cable supplied with 5" (127mm) power and 2" (51mm) non-power canopies
- Canopies match fixture finish, power cords are white, grey, or black depending on fixture finish. See Finish section for additional details.
- Approved for dry/damp location unless otherwise noted
- Refer to installation instructions during installation at the job site
- Maximum fixture weight is 17 lbs. per 4' fixture

AC_G1	Adjustable AC to 1" (15/16") T-Bar
AC_G9	Adjustable AC to 9/16" T-Bar
AC_GS	Adjustable AC to Screw Slot T-Bar
AC_JB	Adjustable AC to Junction Box
AC_ST	Adjustable AC to Structure
AC5_G	5" (127mm) Non-Power Canopy
AC5_JB	5" (127mm) Non-Power Canopy
SQ_G	5" (127mm) Square Canopy
SQ_JB	5" (127mm) Square Canopy
WA	Wall Mount





Voltage

- Some Linero configurations will not accommodate all voltage options; consult with factory

U	Universal
1	120 volt
2	277 volt
3	347 volt

Driver

- Standard Driver Option = OL1
- Driver Lifetime: 50,000 hours at 25°C ambient operating conditions
- For more driver options see Pinnacle Resource Guide
- Some LINERO configurations will not accommodate all driver options; consult with factory

OL1	Osram Optotronic 10%, 0-10v
OL2	Osram Optotronic 1%, 0-10v
OL3	Osram Optotronic, 347v 10%, 0-10v (requires 347v)
OL5	Osram Optotronic 1%, 0-10v, AUX
OD1	Osram Optotronic 1%, DEXAL
EE1	eldoLED ECOdrive 1%, 0-10v Logarithmic
EE6	eldoLED ECOdrive 1%, for nLight Air Wireless
ES1	eldoLED SOLOdrive 0%, DALI Logarithmic
ES6	eldoLED SOLOdrive 0%, for nLight Air Wireless
LH1	Lutron Hi-lume Soft-on, Fade-to-black 1%, EcoSystem, LDE1
LS1	Lutron 5-Series 5%, EcoSystem, LDE5
PR1	Advance Xitanium SR, 5%
ND	Non-Dimming

How to specify Circuiting, Battery and Emergency

- 1**
- Select fixture circuiting from options below
 - Some LINERO configurations will not accommodate all circuiting options, consult with factory

Circuiting

1	Single Circuit
M	Multi Circuit
E	Emergency Circuit only
N	Night Light Circuit only

- 2** + **3**
- Battery and emergency section options are available in addition to fixture circuit
 - Select battery and emergency section options below; factory shop drawing required
 - Some LINERO configurations will not accommodate all circuiting options, consult with factory

Battery and/or Emergency *If Required*

0 No battery or specific emergency section required

Battery

- Select battery section type if required, indicate total QTY. *Example 2PL*
- 90 minute battery runtime; test button is integral to fixture
- For more battery options available, see Pinnacle Resource Guide

0	No battery
_IL	Iota 10w Integral (low profile)
_PL	Bodine 10w Integral (low profile)

Emergency

- Select emergency section type if required, indicate total QTY. *Example 1E*
- Combine battery and emergency section ordering codes if both options are selected

_E	Emergency circuit section
_N	Night Light circuit section
_L	Life Safety circuit section NO THROUGH WIRE
_G	Bodine GTD, Generator Transfer Device section

Battery OR Emergency Ordering Examples

- Single circuit, 10w Integral Battery Ordering Code: 1-1PL
- Emergency only, 10w Integral Battery Ordering Code: E-1PL
- Single circuit, GTD required Ordering Code: 1-1G

For Approximate Battery Lumen Output

- Multiply battery wattage X fixture LPW shown on Lumen Table
- 92.3 (LPW) x 10 (watts) = 923 battery lumen output

Combination Section Ordering Examples

- Single circuit, (1) 10w battery, (1) emergency section
Ordering Code: 1-1PL1E
- Multi circuit, (2) 10w battery, (2) emergency sections
Ordering Code: M-2PL2E
- Single circuit, (1) night light section
Ordering Code: 1-1N



Finish

- Standard powder-coat textured white, metallic silver, textured black, graphite or bronze painted finish; consult factory for chip of standard paint finishes
- Selecting a fixture finish other than white may impact lumen output; consult factory for more information

W	White (white cord/white canopy)
S	Metallic Silver (grey cord/silver canopy)
BL	Textured Black (black cord/black canopy)
BR	Bronze (white cord/bronze canopy)
GR	Graphite (white cord/graphite canopy)
CC	Custom Color (white cord/color match canopy)

Fixture Options

- Additional options to enhance the fixture and finish of the product

QS Quick Ship

Quick Ship

Distribution	CRI, CCT & Output	Mounting	Voltage	Driver	Circuiting	Battery	Finish	
10-Day								
45	45% Direct	80 CRI, All color temperatures, all lumen packages including custom See pg 2-3	AC__GX Grid AC__JB Junction Box AC__ST Structure	U Universal (120 thru 277) 1 120 V 2 277V	OL1 Osram 0-10v, 10% LH1 Lutron LDE1	1 Single Circuit E Emergency N Night Light	1PL Philips Bodine 10w Integral (low profile)	W White
75	75% Direct							
100	100% Direct							

All lengths and continuous rows up to 1,000 ft OR 150 individual fixtures. Consult factory for larger projects.

Controls

- Pinnacle Lighting offers easy to specify network control solutions that connect to an intelligent centralized system to maximize lighting energy efficiencies or integral sensors for individual fixture control
- Pinnacle Lighting fixtures ship technology ready; commissioning by others
- Controls can only be used with Single Circuit (1) or Emergency Circuit (E)
- Contact factory for any non-standard configurations for layout, placement, or EM options
- One drop/sensor per run typical, contact factory for more information

	Solution	Components	Network/Sensor	Connection	Required Drivers	Limitations
DLMFC	Legrand Wattstopper DLM	LMFC-011	Digital Lighting Management (DLM)	Wired, one RJ45 ports	Any 0-10v	Not available with Battery
NLTAIRS	Acuity nLight AIR Wireless	RES7 G2	nLight, Daylight/PIR Occupancy Sensor	Wireless	EE6, ES6	Not available with 347 volt
NLTAIRM	Acuity nLight AIR Wireless	RES7 PDT G2	nLight, Daylight/PIR Occupancy Sensor	Wireless	EE6, ES6	Not available with 347 volt
NLTAIR	Acuity nLight AIR Wireless Connected	RIO EZDL G2	nLight	Wireless	EE6, ES6	Not available with 347 volt
EASYS	Philips EasySense	SNS-200	Daylight/PIR Occupancy	Wireless to switches	PR1	Not available with 347 volt
SNSLM	Osram Sensilum	EN-CLM-PIR-DD-ZB	Encelium, Daylight/PIR Occupancy	Wireless	OD1, OL5	Not available with 347 volt
WLX	Eaton WaveLinx	SWPD1, MSP3IVMVDC1	WaveLinx WCL, Daylight	Wireless	Any 0-10v	Not available with 347 volt
VDO	Lutron Vive Sensor	DFCSJ-OEM-OCC	Vive, Daylight/PIR Occupancy	Wireless	OD1, PR1	Not available with 347 volt
VRF	Lutron Vive Connected	DFCSJ-OEM-RF	Vive	Wireless	OD1, PR1	Not available with 347 volt
ENLI	Enlighted IOT	SU-5E-IOT, CU-4E	Enlighted, Daylight/PIR Occupancy	Wireless	Any 0-10v	Not available with 347 volt
ENLC	Enlighted Connected Lighting	SU-5E-CL, CU-4E	Enlighted, Daylight/PIR Occupancy	Wireless	Any 0-10v	Not available with 347 volt

Specifications and dimensions subject to change without notice. Specification sheets that appear on pinnacle-ltg.com are the most recent version and supersede all other previously printed or electronic versions.

Designed in Denver, CO • USA | pinnacle-ltg.com | O: 303-322-5570 F: 303-322-5568

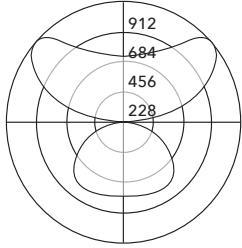
L6DI_LED_SPEC_JAN2020



Photometrics

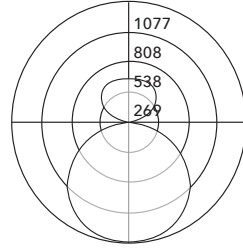
Satine Lens 40% Direct

Test #	ITL90498-GONIOPHOTOMETRY
Catalog #	L6DI-A-40-835VHO-4
Lumens	4624
Watts	36.6
Efficacy	126.3



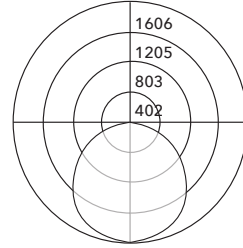
Satine Lens 70% Direct

Test #	ITL90506-GONIOPHOTOMETRY
Catalog #	L6DI-A-70-840VHO-4
Lumens	4865
Watts	47.2
Efficacy	103.1



Satine Lens 100% Direct

Test #	ITL90505-GONIOPHOTOMETRY
Catalog #	L6D-A-100-840VHO-4
Lumens	4504
Watts	43.4
Efficacy	103.8



Candela Distribution

Vert Angle	Horizontal Angle				
Angle	0	22.5	45	67.5	90
0	595	595	595	595	595
5	594	595	596	597	597
15	583	584	597	606	608
25	555	558	584	604	611
35	506	513	547	574	584
45	433	442	476	503	513
55	340	348	376	397	404
65	234	239	256	270	275
75	122	125	131	138	142
85	27	28	29	30	31
90	0	0	0	0	0
95	51	59	87	108	106
105	155	187	319	401	404
115	242	294	493	640	654
125	305	369	578	798	837
135	350	419	581	831	912
145	389	452	558	699	778
155	435	476	543	602	625
165	487	500	530	551	560
175	523	525	528	531	532
180	528	528	528	528	528

Candela Distribution

Vert Angle	Horizontal Angle				
Angle	0	22.5	45	67.5	90
0	1077	1077	1077	1077	1077
5	1073	1074	1074	1075	1076
15	1043	1040	1054	1063	1063
25	975	972	1001	1021	1027
35	869	872	910	937	946
45	731	738	774	802	813
55	566	573	603	625	632
65	386	391	408	423	430
75	200	203	211	217	219
85	45	46	47	49	48
90	0	0	0	0	0
95	12	15	13	13	13
105	62	65	67	67	70
115	165	173	185	191	200
125	268	306	356	386	399
135	336	392	470	520	537
145	375	426	513	567	586
155	393	423	497	543	559
165	394	404	441	471	482
175	389	389	392	397	398
180	388	388	388	388	388

Candela Distribution

Vert Angle	Horizontal Angle				
Angle	0	22.5	45	67.5	90
0	1606	1606	1606	1606	1606
5	1599	1598	1599	1599	1600
15	1541	1532	1547	1554	1552
25	1418	1410	1436	1453	1454
35	1241	1241	1274	1296	1301
45	1027	1030	1063	1086	1095
55	786	791	816	835	845
65	530	534	549	564	570
75	273	275	281	288	292
85	61	61	62	63	62
90	0	0	0	0	0

Luminance Data (cd/sq.m)

Angle In Degrees	Average 0-Deg	Average 45-Deg	Average 90-Deg
45	11079	11467	11812
55	10453	10852	11237
65	9566	9909	10288
75	8046	8281	8606
85	5339	5426	5426

Luminance Data (cd/sq.m)

Angle In Degrees	Average 0-Deg	Average 45-Deg	Average 90-Deg
45	6141	6751	7276
55	5945	6574	7064
65	5553	6075	6526
75	4727	5076	5502
85	3107	3337	3567

Luminance Data (cd/sq.m)

Angle In Degrees	Average 0-Deg	Average 45-Deg	Average 90-Deg
45	10368	10978	11531
55	9897	10544	11051
65	9160	9682	10204
75	7750	8176	8486
85	5178	5408	5523

For all available IES files, please visit our website at pinnacle-ltg.com. Photometry testing in accordance to IESNA-LM-79-08 at an NVLAP accredited testing laboratory. Testing conducted at 25°C ambient conditions



Approvals & Certifications

Construction: One piece die-formed 18 gauge steel housing in a 6-7/8" (174mm) by 1-11/16" (42mm) profile with a 1-3/8" (34mm) side profile. Standard 4'-0" (1,219mm), 6'-0" (1,828mm) and 8'-0" (3,438mm) fixtures can be joined to create continuous runs. Standard high reflectance die-formed white painted aluminum.

Shielding: Direct: white satine lens with matte finish. Indirect: 40/60 distribution uses a batwing diffuser, 70/30 distribution uses a perforated reflector and clear dust guard, 100 direct distribution uses a steel top cover. 4' fixtures have a single 45-7/16" long aperture, 6' fixtures have two 33-11/16" long apertures, and 8' fixtures have two 45-7/16" long apertures.

Mounting: Adjustable aircraft cable, or wall mounts available. Air Craft Cable mounts on 4'-0" (1,219mm), 6'-0" (1,828mm) and 8'-0" (3,438mm) centers. Refer to installation instructions for appropriate ceiling detail. Maximum fixture weight is 17 lbs. per 4' fixture.

LED: 25°C test environment. Lumen output/wattage has a margin of +/- 5%. All luminaire configurations tested in accordance with IES LM-79. Diodes tested in accordance with IES LM-80. Lifetime calculated using IES TM-21. Minimum lifetime greater than 60,000 hours. Lifetime Projection for 40%, 70% and 100%: L70 lifetime - 130,000 hours and L90 lifetime - 39,000 hours. MacAdam 3-Step Ellipses. For all available IES files, please visit our website at pinnacle-ltg.com.

BIOS LED: Spectrum focused lighting for circadian stimulus. EML or M/P ratio: .8 for 3500K, .9 for 4000K. COI >3.0. Not all lumen packages available. Two lumen packages available. Standard, and High (HO). Custom outputs are available. Specify custom lumens or watts between standard offering listed on CRI, CCT & Output page.

CRI, CCT & Lumen Output: Two lumen packages available. Standard and High (HO). Custom outputs are available. Specify custom lumens or watts between standard offering listed on CRI, CCT & Output page. 80 CRI is available for 3000K, 3500K, and 4000K. 90 CRI is available for 2700K, 3000K, 3500K, and 4000K. 80 CRI = R9≥19 and 90 CRI = R9≥61. Fixture performance and photometric data based on 8' configuration for worst case input voltage. Published lumen or wattage data based on OL1 configuration.

Voltage: Universal (U), 120 volt (1), 277 volt (2) and 347 volt (3) options available. Must specify OL3 in Driver section when 347 volt (3) is selected. Some LINERO configurations will not accommodate all voltage options; consult with factory.

Driver: Standard Driver Option is Osram 0-10V, 10% = OL1. Electronic driver, Power factor is >0.9 with a THD <20%. Driver Lifetime: 50,000 hours at 25°C ambient operating conditions. Ambient operating range for 40%, 70% and 100%: -23F/-30C to

125F/52C For more driver options, see Pinnacle Resource Guide. Some LINERO configurations will not accommodate all driver options.

Circuiting: Select from single circuit (1), Multi circuit (M), Emergency circuit (E), Night Light circuit (N) or Life Safety (L). For emergency circuiting situations that require no through wire or circuit separation, Life Safety Circuit should be selected. This will provide a separate power feed and only the Life Safety Circuit in that section. Some LINERO configurations will not accommodate all circuiting options; consult with factory.

Battery & Emergency: Select battery or emergency options if required. If battery or emergency option is not required, enter 0. Battery duration is 90 minutes as standard. Test button is integral to fixture. For more Battery options, see Pinnacle Resource Guide.

Finish: Standard powder-coat textured white, metallic silver, textured black, graphite or bronze painted finish, consult factory for chip of standard paint finishes. Canopies painted white unless specified differently in the options section of the part number. Contact factory for additional custom color and finish options.

Controls: DLM utilizes wired network connections for digital control through switching and dimming with 0-10v LED drivers. nLight Air rIO module provides wireless control using eldoLED LED drivers. nLight Air rE57 sensor provides wireless control, daylight harvesting and occupancy detection with PIR or PDT using eldoLED LED drivers. EasySense sensor provides daylight harvesting and PIR occupancy detection using the SR driver; the Philips app provides advanced configurations. ENCELIUM SensiLUM sensor provides wireless control, daylight harvesting and PIR occupancy; driver data is available when using the DEXAL LED driver. WaveLinX Connected Lighting sensor provides wireless control and daylight harvesting using 0-10V LED drivers. Lutron Vive sensor provides wireless control, daylight harvesting and PIR occupancy detection using DEXAL or SR LED drivers. Lutron Vive module provides wireless control using DEXAL or SR LED drivers. Enlighted Smart Sensor provides multi-functionality including daylight harvesting and PIR occupancy; for IOT platform using 0-10v LED drivers. Enlighted Smart Sensor provides multi-functionality including daylight harvesting and PIR occupancy; for Connected platform using 0-10v LED drivers.

Labels: UL and cUL Listed. Approved for dry/damp location unless otherwise noted.

Fixture Weight: Maximum fixture weight is 17 lbs (per 4' fixture).

Buy American Act Compliant

Warranty: LINERO LED offered with a 5-year limited warranty. Covers LED, driver and fixture.