



Pru15 | Linear



PRUDENTIAL LTG.

PRULITE.COM 213.746.0360



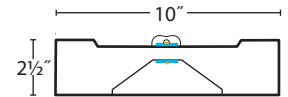
Pru15-SQ



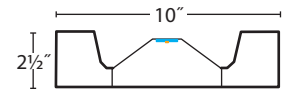
Pru15-R

Type:

Job:



D3 - 2 row of LEDs
Configurable Down/Up

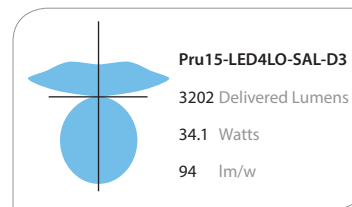


D9 - 1 row of LEDs
87 Down/17 Up

see next page for details

Control down and uplight separately.

Control the amount of Down vs. Up light separately by specifying different outputs (eg. LO Down/HO Up) and/or Dual Circuit (DC) dimming controls; 20 down/80 up, 80 down/20 up or anywhere in between is easily attained. Control down and uplight separately with DC, turning off the Down and leaving the Up dimmed for projector usage. It's all about control.



UPTO **106** LM/W

D3 — at 53% uplight, 47% down (LO/LO, etc.)

	LO	MO	SO	HO
lm/ft	725	975	1300	1700
w/ft	7	9.3	13	17

D9 — 17% uplight, 83% down

	LO	MO	SO	HO
lm/ft	300	400	650	900
w/ft	3.5	4.6	7	10

See LED Details PDF for more info

Lumen output may vary +/- 5%
4000K used for lm/ft estimates above
3500K -2% If, 3000K -4%, 2700K -6%
See LED Details PDF for more info

SERIES	STYLE	LED COLOR	OUTPUT	NOMINAL LENGTH	SHIELDING	COLOR/ FINISH	DISTRIBUTION	CIRCUITING	VOLTAGE	MOUNTING	CEILING SYSTEMS	DRIVERS	OPTIONS & CONTROLS	
PRU15			-											
	SQ Square R Round	LED27 2700K (90CRI) LED3 3000K LED35 3500K LED4 4000K	LO Low MO Medium SO Standard HO High PROG Programmable Light Output (Specify desired lm/ft or w/ft) NOTE for D3: Specify separate output Down / Up if desired eg. HO/LO.	4' 8' R (Row Length in 4' increments only) NOTES: Individual fixtures are NOT intended for row mounting Row lengths are typically made up of 8' and 4' fixtures (8' come standard in long rows) unless symmetric row lengths are requested.	SAL Satin Acrylic Lens WA White Acrylic Lens (Standard)	TMW Textured Matte White (Standard) YSW Seashell White (Matte) (Premium color) Y_ Premium Color CC Custom Color NOTE: All canopies are painted the same color as the fixture unless specified otherwise	D3 Direct/ Indirect Note: (Adjustable down/up if DC is specified) D1 Direct Solid Top Note: Only 1 row of LEDs. D9 Semi-Direct Note: Only 1 row of LEDs, 83% Down, 17% Up.	SC Single Circuit DC Dual Circuit (Two feeds required, Control Down & Up Light Separately, D3 only)	UNV (120-277) 347 (Emergency battery requires a Step Down transformer)	CA48", 96" or 144" Aircraft Cable (Adjustable)	X1 T-Bar Exposed (Standard) X3 Hard Ceiling X6 Slot Grid	ND Non-Dimming DM10 0-10v, 10% Dimming (Standard) DM01 0-10v, 1% Dimming STEP Step Dimming, 100-50-Off, Osram NOTE: Lumens and watts per foot may differ for STEP drivers, consult factory LDE5 5%, Lutron (Ecosystem) LDE1 1%, Lutron (Soft Fade to Black, Ecosystem)	L3DA 1%, Lutron, 3 Wire ECO 1% 0-10v, EldoLED ECDA 1% DALI, EldoLED SOLO 0.1% 0-10v, EldoLED (Dim to Dark) SODA 0.1% DALI, EldoLED (Dim to Dark)	EML Emergency Battery, Low (900 delivered lumens) EMH Emergency Battery, High (1250 delivered lumens) PRUBIN Meticulous Binning and Labeling every LED Board within a 2-Step MacAdams Ellipse SENSORS: 205 WattStopper PIR Occupancy 205-STEP: Dim to 50% 205-DM: Dim to 10% / 1% LUX Phillips DLH



Prudential Ltg. reserves the right to change design specifications or materials without notice. Please visit prulite.com for most current data.
© 2014 All rights reserved - All products manufactured at: Prudential Ltg. 1774 E. 21st Street, Los Angeles, CA 90058

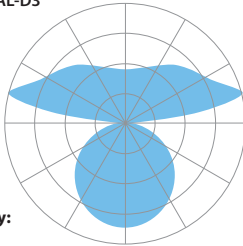
Linear



D3 – SPECIFY DOWN/UP SEPARATELY

Medium Down - Medium Up: Pru15-LED4-MO/MO-SAL-D3

3940 Delivered Lumens
37 Watts
106 lm/w
4000 CCT
LIGHT LABS TEST
#L021502301



Zonal Lumen Summary:
0-90 = 51%
90-180 = 49%

Vertical Angle	0	25	45	65	90
0	688	688	688	688	688
5	682	683	685	684	684
15	648	649	652	651	651
25	586	588	590	591	589
35	505	505	508	508	508
45	408	411	414	415	416
55	307	311	315	317	318
65	211	216	223	227	229
75	113	120	130	138	141
85	38	43	58	68	73
90	13	25	46	53	52
95	22	57	247	298	176
105	66	109	267	623	841
115	119	169	258	497	653
125	176	233	316	493	605
135	231	284	359	483	567
145	275	314	376	444	492
155	318	338	377	412	429
165	351	359	374	388	397
175	370	371	374	374	376
180	373	373	373	373	373

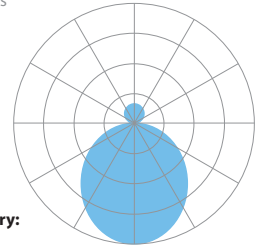
D3 Distribution Options – DOWN and UP

	LO/LO	LO/MO	LO/SO	LO/HO
Lm/ft	340/385	340/520	340/690	340/850
w/ft%	7	8.2	10	12
DWN/UP	52/48	45/55	39/61	34/66
	MO/LO	MO/MO	MO/SO	MO/HO
Lm/ft	460/385	460/520	690/460	460/850
w/ft%	8.2	9.3	11.2	13.2
	60/40	53/47	46/54	41/59
	SO/LO	SO/MO	SO/SO	SO/HO
Lm/ft	610/385	615/520	610/690	610/850
w/ft%	10	11.2	13	15
	67/33	60/40	53/47	48/52
	HO/LO	HO/MO	HO/SO	HO/HO
Lm/ft	750/385	750/520	750/690	750/850
w/ft%	12	13.2	15	17
	71/29	58/42	58/42	53/47

D9 (ONE ROW OF LEDS)

Pru15-LED4-MO-WA-D9

1626 Delivered Lumens
17.2 Watts
94 lm/w
4000 CCT
LIGHT LABS TEST
#L0101404401



Zonal Lumen Summary:
0-90 = 84%
90-180 = 16%

Vertical Angle	0	25	45	65	90
0	518	518	518	518	518
5	514	514	515	514	514
15	490	490	490	489	488
25	447	447	445	442	440
35	389	388	384	379	376
45	321	319	313	308	306
55	246	243	238	233	231
65	168	166	162	158	157
75	87	85	83	81	80
85	22	22	20	19	18
90	0	0	0	0	0
95	9	10	9	8	7
105	21	25	29	28	13
115	34	33	39	44	46
125	46	44	47	50	52
135	58	55	56	57	58
145	67	61	65	65	65
155	75	74	73	73	72
165	81	80	80	79	79
175	83	84	84	84	84
180	84	84	84	84	84

LUMEN MAINTENANCE

Designed to last with cool running mid-power LEDs projected to maintain 90% (L90) of their initial output for 100,000 hours (at HO), and L70 exceeding 150,000 hours.

LED SYSTEM

LED modules and drivers are field replaceable.

PROG^(optional)

Programmable light output. Specify desired lumens or watts per linear foot. Min: 2.5 w/ft, consult factory for requests above 12 w/ft.

BINNING

Standard binning (all Prudential LED boards) includes testing at the chip level and board integration to provide consistent color temperature within a 3-step MacAdams ellipse, with +/- 5% lumen output range and +/- .004 Duv.

PRUBIN^{™(optional)}

Prudential Ltg's exclusive 'job binning' method that ensures color temperature consistency across all luminaires on a project. Meticulously testing and labeling EVERY LED BOARD to +/- 25 lumens, +/- 50k CCT and +/- .004 Duv — while also separating positive from negative — allows us to match color, hue and intensity throughout a project and provides a consistent color temperature within a 2-step MacAdams ellipse.

LABELS

ETL damp labeled and I.B.E.W. manufactured

ELECTRICAL

Must specify LED dimming controls. LED fixtures have constant current driver(s) with less than 20% THD when loaded to a minimum of 60%. Drivers sink a maximum of 6mA per driver. DM10 LED drivers are 0-10V dimmable and are compatible with most 0-10V wall slide dimmers and direct 0-10V analog signal dimmers. Max driver size 1.25" w x 1" h.

CONSTRUCTION

Housing 20-gauge USA steel, >20% PC recycled, 100% recyclable, PAF, Painted After Fabrication

Lens Acrylic, 100% recyclable

MOUNTING Suspended by adjustable cable.

WARRANTY Single-source, 5 year limited warranty covers standard components and construction



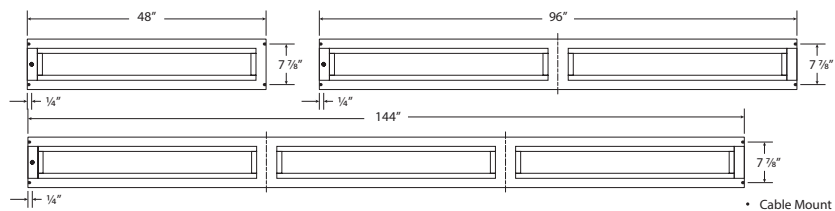


NEW YSW – Seashell White (Matte)	NEW YCH – Champagne (Metallic)
YSL – Silver (Metallic)	YPE – Pewter (Matte)
YRG – Rain Grey (Gloss)	YSTM – Storm Grey (Matte)
NEW YBK – Black (Matte)	NEW YBB – Black (Semi Gloss)
YSKM – Sky (Matte)	NEW YMB – Military Blue (Matte)
NEW YIB – Interstate Blue (Matte)	YSAM – Sapphire (Matte)
NEW YFGM – Forest Green (Matte)	YBR – Bronze (Matte)
YBY – Boysenberry (Matte)	YSRM – Sunset Red (Matte)
NEW YOR – Orange (Matte)	NEW YDAM – Daffodil (Matte)



Client | HDR Architects Architect | HDR Architects

MOUNTING LOCATIONS

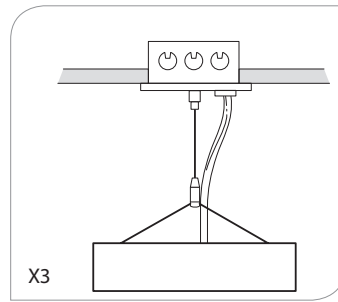
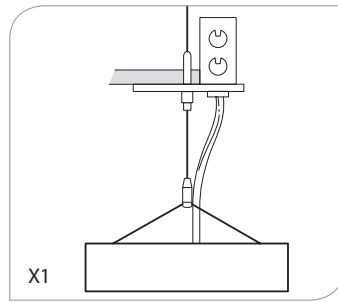


NOTE: When connecting two or more, only one mounting assembly required on each additional fixture.

- Cable Mount
- ◆ 3/8" Wiring KO

Choose from one of our Premium Colors with no set-up fee.

For paint chip samples, please e-mail: info@prulite.com



CONTROLS

