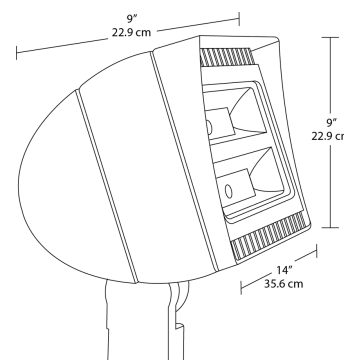


FXLED78SF

High power, wide distribution LED floodlight. Replaces 250W Metal Halide. Patent Pending airflow technology ensures long LED and driver lifespan. Use for building facade lighting, sign lighting, LED landscape lighting and instant-on security lighting.

Color: Bronze

Weight: 24.0 lbs



LED Info

Watts: 78
 Color Temp: 5000K (Cool)
 Color Accuracy: 67
 L70 Lifespan: 0
 LM79 Lumens: 5,927
 Efficacy: 66 LPW

Driver Info

Type: Constant Current
 120V: 0.79
 208V: 0.49
 240V: 0.42
 277V: 0.37
 Input Watts: 90W
 Efficiency: 87%

Technical Specifications

UL Listing:

Suitable for wet locations. Suitable for mounting within 4' of the ground.

NEMA Type:

6H x 5V Beam Spread

Replacement Range:

The FXLED78 can be used to replace 150 - 320W Metal Halide Floodlights based on delivered lumens.

LEDs:

Six multi-chip, 13Watt high-output, long-life LEDs

Drivers (3):

Constant Current, Class 2, 720mA, 100 - 277V, 50 - 60 Hz, 100 - 277VAC 0.4 Amps

Fixture Efficacy:

65 Lumens per Watt

Surge Protection:

6 KV

Ambient Temperature:

Suitable for use in 40C ambient temperatures.

Cold Weather Starting:

The minimum starting temperature is -40F/-40C.

Heatsink:

Superior heat sinking with external Air-Flow fins.

Housing:

Die-cast aluminum housing and door frame

Mounting:

Heavy-duty Slip Fitter for 2 3/8" OD pipe with stainless steel hardware

Color Stability:

RAB LED products exceed industry standards for chromatic stability.

Color Accuracy:

67 CRI

Color Temperature (Nominal CCT):

5000K

Color Uniformity:

RAB's range of CCT (Correlated Color Temperature) follows the guidelines of the American National Standard for (SSL) Products, ANSI C78.377-2008.

Reflector:

Semi-specular anodized aluminum

Gaskets:

High-temperature silicone gaskets

Finish:

Chip and fade resistant polyester powder coat finish.

Green Technology:

Mercury and UV free

IESNA LM-79 & LM-80 Testing:

RAB LED luminaires have been tested by an independent laboratory in accordance with IESNA LM-79 and LM-80, and have received the Department of Energy Lighting Facts label.

California Title 24:

FFLED78 complies with California Title 24 building and electrical codes.

Warranty:

RAB LED fixtures give you peace of mind because both the fixture and light engine components are backed by RAB's 5 Year Warranty. For more information,

Patents:

The FFLED78 design is protected by patents pending in the U.S., Canada, China, Taiwan and Mexico.