



**ModiFly** is the new action hero for lighting design. This next generation lighting innovation has it all: contemporary form, infinite design freedom, and undisputed performance. Simple, yet sophisticated, ModiFly has a style that lends itself perfectly for a variety of spaces including open offices, education, and retail environments, where visual comfort and design continuity are essential.

Project: \_\_\_\_\_  
 Location: \_\_\_\_\_  
 Cat.No: \_\_\_\_\_  
 Type: \_\_\_\_\_  
 Qty: \_\_\_\_\_  
 Notes: \_\_\_\_\_

### Ordering guide

Example: MFOSL84045QN08DE1NNNW, M1-24

Family	Version <sup>4,5</sup>	Type	Source	CRI/CCT <sup>1,2</sup>	Lumens <sup>1</sup>	Optics	Distribution <sup>1</sup>	Run Length
<b>MF</b>		<b>S</b>	<b>L</b>			<b>Q</b>	<b>N</b>	
MF ModiFly	<b>O</b> Straight Run with Static Links	S Suspended	L LED	<b>840</b> 80CRI/4000K	<b>45</b> 4500 lm/4ft	Q Vertical Light Guide	N 75% Down / 25% Up	<b>02</b> 2ft
	<b>B</b> Straight Run with Bi-Links			<b>835</b> 80CRI/3500K	<b>40</b> 4000 lm/4ft			<b>04</b> 4ft
	Pre-defined Patterns:			<b>830</b> 80CRI/3000K	<b>35</b> 3500 lm/4ft			<b>05</b> 5ft
				<b>935</b> 90CRI/3500K	<b>30</b> 3000 lm/4ft			<b>06</b> 6ft
				<b>8T2</b> 2-channel Tunable White 80CRI / 2700-6500K <sup>8</sup> (For PoE Lighting Controller only)	<b>25</b> 2500 lm/4ft			<b>08</b> 8ft
				<b>TRIA</b> Triangle Pattern	<b>20</b> 2000 lm/4ft			<b>XX</b> Continuous run in 1ft increments
				<b>CRSS</b> Cross Patten	<b>15</b> 1500 lm/4ft			
				<b>SQRE</b> Square Pattern				
	<b>HEXA</b> Hexagon Pattern							
	<b>OCTA</b> Octagon Pattern							
	<b>WHYY</b> Y-Shape Pattern							
	<b>CSTM</b> Custom Patterns							

Voltage <sup>2</sup>	Driver <sup>2</sup>	Circuit	Wiring Option <sup>2</sup>	Sensors <sup>2,6</sup>	Finish	Mount Type <sup>3</sup>	Suspension
		<b>1</b>					
<b>D</b> UNV 120-277V <b>3</b> 347V	<b>E</b> Advance 0-10V (1% Dim)	<b>1</b> Single Circuit	<b>N</b> Standard, No Option <b>E</b> Aux. Wiring <sup>7</sup> <b>B</b> Battery Pack, Integral	<b>NN</b> No Integral Sensor	<b>W</b> Standard White	<b>M1</b> Non-accessible ceiling, 0°-15° Slope Mount <b>M2</b> T-Grid Fixed Position Mount <b>M3</b> Non-accessible ceiling, 0°-90° Slope Mount <b>M5</b> T-Grid 24" Span Mount (non tegular tile only) <b>M6-1</b> T-Grid On-Grid Mount 15/16" (non tegular tile only) <b>M6-2</b> T-Grid On-Grid Mount 9/16" (non tegular tile only) <b>M6-3</b> T-Grid On-Grid Mount 9/16" x 5/16" (slot tee & tegular tile)	<b>24</b> 24"
<b>D</b> UNV 120-277V	<b>S</b> Advance Sensor Ready (5% Dim)			<b>SZ</b> SpaceWise DT Daylight & Occupancy	<b>V</b> Venom Black		<b>48</b> 48"
<b>D</b> UNV 120-277V	<b>H</b> Lutron EcoSystem LDE1 (1% Dim)			<b>IP</b> Interact Pro <sup>6</sup>	<b>T</b> Titanium Silver		<b>96</b> 96"
<b>L</b> Low Voltage (48-54V DC)	<b>P</b> PoE Lighting Controller			<b>NN</b> No Integral Sensor	<b>B</b> Black		<b>144</b> 144"
				<b>NN</b> No Integral Sensor	<b>C</b> Custom		

**Footnotes:**

- Nominal values within a range. Consult photometry data for CRI, color temp, lumens & distribution of chosen configuration.
- Not all wiring types are available with all configurations. Consult Ledalite for a complete list of available options. Tunable White, PoE, and Interact options requires separate controls hardware by Signify.
- T-Grid On-Grid mounts (M6-x) are not available with Quad-Link joints due to weight restrictions.
- Version code for specification purposes only, product will ship as "MFOS". Bi-links can be articulated 180 degrees on site to create unique open patterns using linear modules.
- See Page 3 of spec sheet for how to specify patterns.
- Interact Pro is not available with 90CRI/3500K options at 4500 lm/4ft and 4000 lm/4ft
- Aux. Wiring not available on Tunable White, PoE, or Interact configurations.
- Tunable White option is only available with PoE Lighting Controllers.

# ModiFly suspended

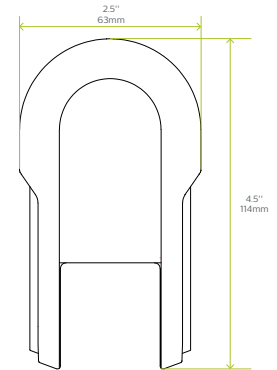
## Options and details

### Performance summary – suspended\*

LED Output (lm/ft)	375lm		500lm		625lm		750lm		875lm		1000lm		1125lm	
CRI*	80	90	80	90	80	90	80	90	80	90	80	90	80	90
Energy (W/ft)	3.0	3.8	4.0	4.8	4.8	6.0	6.0	7.0	6.8	8.3	7.8	9.5	8.8	10.8
Efficacy (lm/W)	127	107	132	111	134	110	131	109	131	109	131	108	130	109

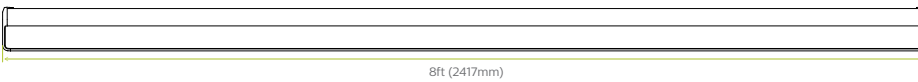
\*80CRI values based on 4000K CCT; 90CRI values based on 3500K CCT

### Cross section

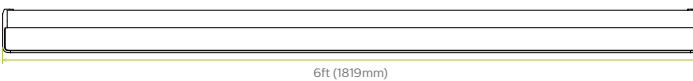


### Lengths and dimensions

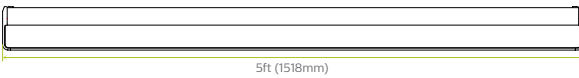
8ft Luminaire



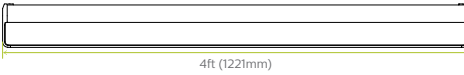
6ft Luminaire



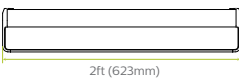
5ft Luminaire



4ft Luminaire



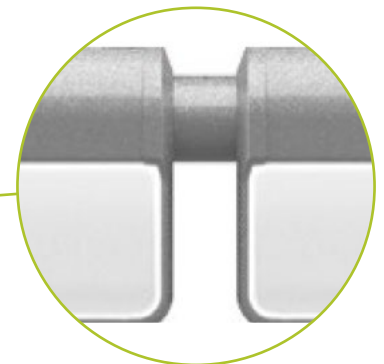
2ft Luminaire



### Finish options



### Continuous rows



With a variety of different length options, continuous rows of ModiFly can be used to fill an open office for comfortable, ambient illumination. The image above shows ModiFly with a static link between modules for continuous rows of luminaires.

# ModiFly suspended

## Predefined patterns

Shake things up, and modify spaces with ModiFly luminaires to create an endless array of patterns - whether it be pods of pendants or interconnected hexagons in space - ModiFly allows for ultimate flexibility, making lighting the key element of architectural design.

The patterns below are just some of the examples ModiFly has to offer. Choose from one of these, or customize your own pattern.



Triangle  
Order Code: TRIA



Square  
Order Code: SQRE



Hexagon  
Order Code: HEXA



Octagon  
Order Code: OCTA



Y-shape  
Order Code: WHY



Cross  
Order Code: CRSS



### Example Pattern Configuration Details

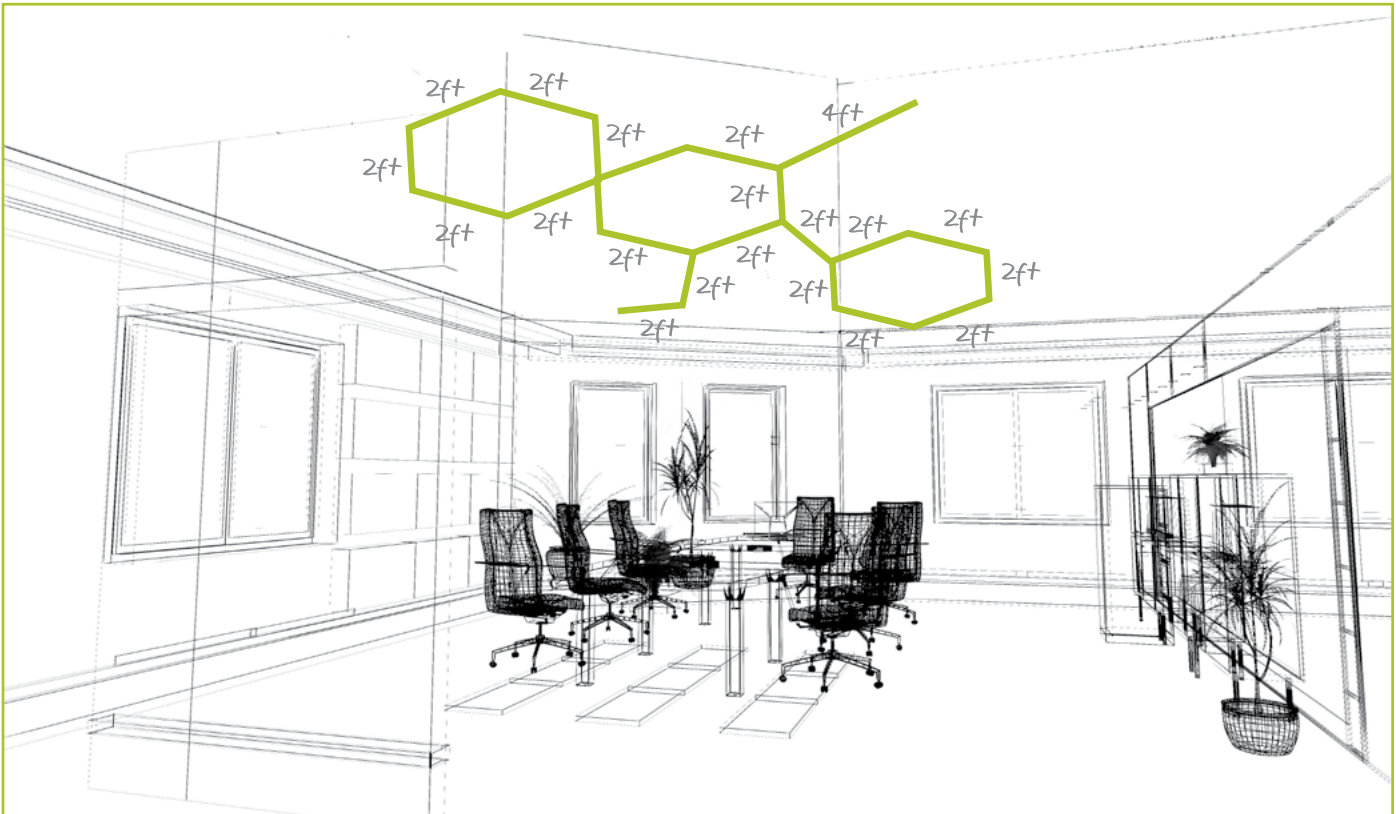


Example order code:  
MF-CRSS-SL84045QN05DE1NNNW, M1-24

- Cross  
Order Code: CRSS  
System includes:  
(4) ModiFly Luminaires (of equal length)  
(1) ModiFly Quad-Link  
(5) Aircraft Cables  
(2) Power Cords  
(2) Power Mount Canopies  
(3) Non-power Mount Canopies  
(4) Endcaps

## Configure custom patterns

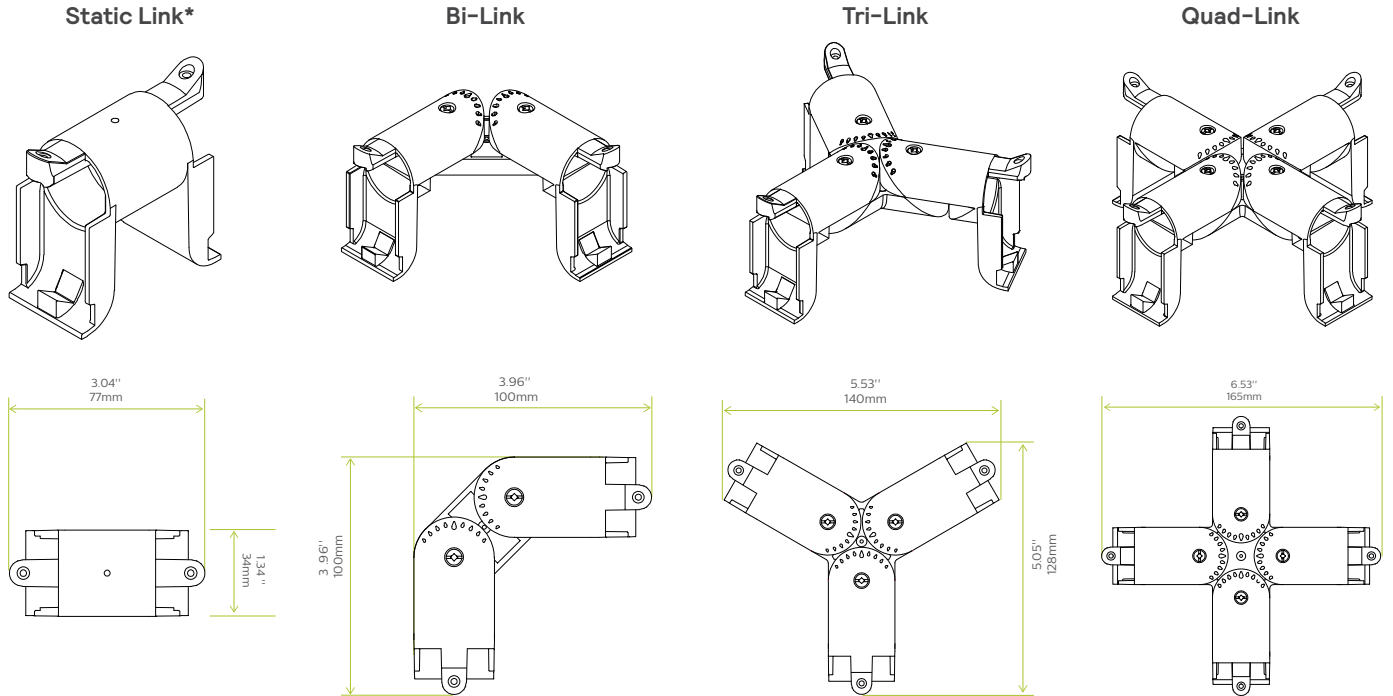
Can't find the right pre-defined shape for your project? Just sketch out your vision, and we'll bring it to life. For a quote, please email your sketch with dimensions to [quotes.ledalite@signify.com](mailto:quotes.ledalite@signify.com)



# ModiFly suspended

## ModiFly articulating links

Harness the ultimate flexibility of on-site articulation of luminaires. Create one-of-a-kind designs with unique shapes and precision angles ModiFly's patent pending design of the factory pre-wired Bi, Tri, and Quad-link systems allow for articulating luminaires on-site, allowing for final touches of angulation to be just perfect.



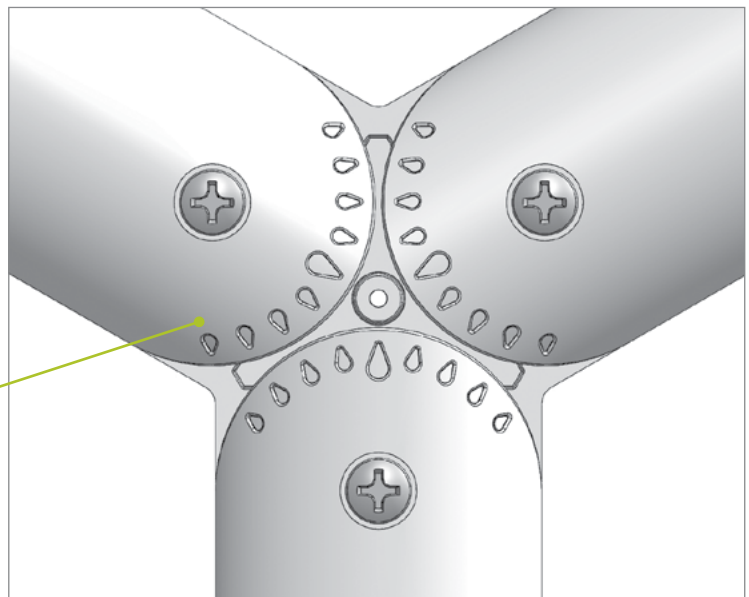
\*Static links apply to continuous runs only; all other links apply to patterns/shapes.

## On-site luminaire rotation

With fool-proof angulation, rotation of pendant modules to achieve the look desired... becomes flawless.

Simply match up the markings on the arms of the link to rotate fixture modules 7.5 degree increments (with markings at 15 degrees).

15 degree increment markings to make onsite articulation, easy!



# ModiFly suspended

## ModiFly – 4ft suspended Photometrics

Lumen Package	Nominal CRI & CCT	Flux (lm)	Watts (W)	Efficacy (lm/W)	CRI	R9	WELL**	DLC (120/277V)***	Photometry Report	IES File	Revit/BIM
1500 lm/4ft	80CRI, 3000K	1428	12	118	83	10	Yes	Standard	PDF	IES	RFA
	80CRI, 3500K	1465	12	121	84	11		Standard	PDF	IES	
	80CRI, 4000K	1535	12	127	81	4		Premium	PDF	IES	
	90CRI, 3500K	1556	15	107	93	67		N/A	PDF	IES	
2000 lm/4ft	80CRI, 3000K	1940	16	124	83	10	Yes	Standard	PDF	IES	RFA
	80CRI, 3500K	1976	16	126	84	11		Standard	PDF	IES	
	80CRI, 4000K	2068	16	132	81	4		Premium	PDF	IES	
	90CRI, 3500K	2070	19	111	93	67		N/A	PDF	IES	
2500 lm/4ft	80CRI, 3000K	2438	19	126	83	10	Yes	Standard	PDF	IES	RFA
	80CRI, 3500K	2479	19	128	84	11		Standard	PDF	IES	
	80CRI, 4000K	2594	19	134	81	4		Premium	PDF	IES	
	90CRI, 3500K	2593	24	110	93	67		N/A	PDF	IES	
3000 lm/4ft	80CRI, 3000K	2895	24	123	83	10	Yes	Standard	PDF	IES	RFA
	80CRI, 3500K	2949	24	126	84	11		Standard	PDF	IES	
	80CRI, 4000K	3087	24	131	81	4		Premium	PDF	IES	
	90CRI, 3500K	3094	28	109	93	67		N/A	PDF	IES	
3500 lm/4ft	80CRI, 3000K	3365	27	123	83	10	Yes	Standard	PDF	IES	RFA
	80CRI, 3500K	3428	27	125	84	11		Standard	PDF	IES	
	80CRI, 4000K	3588	27	131	81	4		Premium	PDF	IES	
	90CRI, 3500K	3580	33	109	93	67		N/A	PDF	IES	
4000 lm/4ft	80CRI, 3000K	3846	31	123	83	10	Yes	Standard	PDF	IES	RFA
	80CRI, 3500K	3918	31	125	84	11		Standard	PDF	IES	
	80CRI, 4000K	4101	31	131	81	4		Premium	PDF	IES	
	90CRI, 3500K	4100	38	108	93	67		N/A	PDF	IES	
4500 lm/4ft	80CRI, 3000K	4303	35	122	83	10	Yes	Standard	PDF	IES	RFA
	80CRI, 3500K	4384	35	124	84	11		Standard	PDF	IES	
	80CRI, 4000K	4588	35	130	81	4		Premium	PDF	IES	
	90CRI, 3500K	4626	42	109	93	67		N/A	PDF	IES	

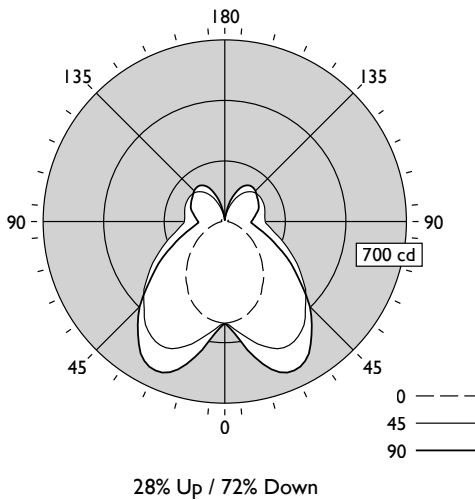
Values per 4ft. Fixture photometry has been conducted in accordance with IESNA LM-79-08. IES files for this and other options can be downloaded online at ledalite.com.

\*Luminaires painted in finishes other than standard white result in an up to 16% drop in light flux and efficacy. DLC is only available for configurations with a standard white finish and no battery pack.

\*\*The WELL Building Standard® is the first standard to integrate human health and wellness into the design, construction, maintenance and operations of buildings.

Select ModiFly configurations contribute toward satisfying features LO4 and L07 under the WELL Building Standard®.

\*\*\*For 347V DLC listings, please visit the DLC QPL website



### CANDELA DISTRIBUTION

Vertical Angle	Horizontal Angle					Zonal Lumens
	0°	22.5°	45°	67.5°	90°	
0°	392	392	392	392	392	
5°	387	397	416	435	433	41
15°	363	410	488	555	569	136
25°	321	405	537	611	633	233
35°	262	375	515	563	577	292
45°	196	318	441	462	464	299
55°	133	250	361	339	329	265
65°	79	201	279	238	223	216
75°	41	164	212	168	152	169
85°	17	135	168	124	109	134
90°	12	125	156	112	102	
95°	12	119	155	109	110	122
105°	14	110	160	123	127	123
115°	14	106	165	136	145	120
125°	13	100	166	145	154	111
135°	10	88	159	152	167	94
145°	7	69	138	150	169	69
155°	6	45	99	121	144	40
165°	4	21	49	71	83	14
175°	5	6	9	16	17	2
180°	4	4	4	4	4	

\*Photometric data shown is for 2500 lm/4ft, 3500K, 80 CRI configuration

### COEFFICIENTS OF UTILIZATION (%)

Pc---	80				70				50				0
Pw---	70	50	30	10	70	50	30	50	30	10	0	0	
RCR													
0	112	112	112	112	107	107	107	96	96	96	72		
1	101	95	90	86	95	90	86	81	77	74	56		
2	91	82	75	69	86	78	71	70	65	60	46		
3	83	72	63	57	78	68	60	61	55	50	38		
4	75	63	54	48	71	60	52	54	47	42	32		
5	69	56	47	41	65	53	45	48	41	36	27		
6	64	50	41	35	60	48	40	43	36	31	24		
7	59	45	37	31	55	43	35	39	32	27	21		
8	55	41	33	27	51	39	31	36	29	24	19		
9	51	38	29	24	48	36	28	33	26	22	17		
10	47	34	27	22	45	33	26	30	24	19	15		

### AVG LUMINANCE (cd/m2)

	0°	45°	90°
0°	5870	5870	5870
5°	5766	5762	6011
15°	5508	6129	6904
25°	5060	6323	6967
35°	4453	5863	5909
45°	3699	4972	4526
55°	2978	4117	3235
65°	2317	3345	2234
75°	1771	2769	1589
85°	1422	2526	1257

### ZONAL LUMEN SUMMARY

Zone	Lumens	%Fixture
0-30°	410	16.5%
0-40°	702	28.3%
0-60°	1266	51.1%
0-90°	1786	72.0%
90-130°	475	19.2%
90-150°	639	25.8%
90-180°	693	28.0%
0-180°	2479	100.0%

# ModiFly suspended

## ModiFly – 2ft suspended Photometrics

Lumen Package	Nominal CRI & CCT	Flux (lm)	Watts (W)	Efficacy (lm/W)	CRI	R9	WELL**	DLC (120/277V)***	Photometry Report	IES File	Revit/BIM
1500 lm/4ft	80CRI, 3000K	710	8	93	83	10	Yes	N/A	PDF	IES	RFA
	80CRI, 3500K	729	8	96	84	11		N/A	PDF	IES	
	80CRI, 4000K	762	8	100	81	4		N/A	PDF	IES	
	90CRI, 3500K	767	9	89	93	67		N/A	PDF	IES	
2000 lm/4ft	80CRI, 3000K	965	9	104	83	10	Yes	N/A	PDF	IES	RFA
	80CRI, 3500K	983	9	105	84	11		N/A	PDF	IES	
	80CRI, 4000K	1029	9	111	81	4		N/A	PDF	IES	
	90CRI, 3500K	1026	11	97	93	67		N/A	PDF	IES	
2500 lm/4ft	80CRI, 3000K	1213	11	111	83	10	Yes	Standard	PDF	IES	RFA
	80CRI, 3500K	1233	11	113	84	11		Standard	PDF	IES	
	80CRI, 4000K	1291	11	118	81	4		Standard	PDF	IES	
	90CRI, 3500K	1273	13	100	93	67		N/A	PDF	IES	
3000 lm/4ft	80CRI, 3000K	1440	13	115	83	10	Yes	Standard	PDF	IES	RFA
	80CRI, 3500K	1467	13	117	84	11		Standard	PDF	IES	
	80CRI, 4000K	1536	13	123	81	4		Standard	PDF	IES	
	90CRI, 3500K	1525	15	102	93	67		N/A	PDF	IES	
3500 lm/4ft	80CRI, 3000K	1674	15	115	83	10	Yes	Standard	PDF	IES	RFA
	80CRI, 3500K	1705	15	118	84	11		Standard	PDF	IES	
	80CRI, 4000K	1785	15	123	81	4		Standard	PDF	IES	
	90CRI, 3500K	1762	17	104	93	67		N/A	PDF	IES	
4000 lm/4ft	80CRI, 3000K	1913	16	117	83	10	Yes	Standard	PDF	IES	RFA
	80CRI, 3500K	1949	16	120	84	11		Standard	PDF	IES	
	80CRI, 4000K	2040	16	125	81	4		Standard	PDF	IES	
	90CRI, 3500K	2024	19	104	93	67		N/A	PDF	IES	
4500 lm/4ft	80CRI, 3000K	2141	18	119	83	10	Yes	Standard	PDF	IES	RFA
	80CRI, 3500K	2181	18	121	84	11		Standard	PDF	IES	
	80CRI, 4000K	2283	18	127	81	4		Standard	PDF	IES	
	90CRI, 3500K	2270	22	102	93	67		N/A	PDF	IES	

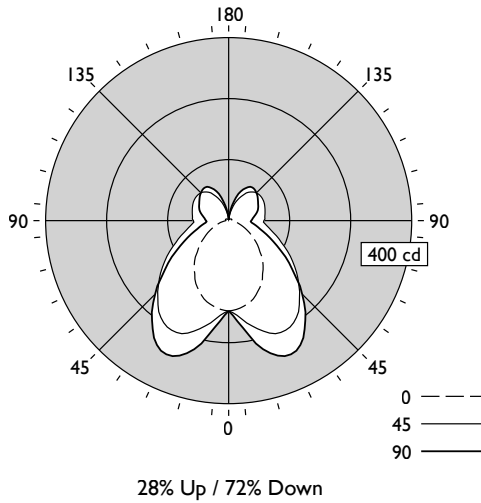
Values per 2ft. Fixture photometry has been conducted in accordance with IESNA LM-79-08. IES files for this and other options can be downloaded online at [ledalite.com](http://ledalite.com).

\*Luminaires painted in finishes other than standard white result in an up to 16% drop in light flux and efficacy. DLC is only available for configurations with a standard white finish and no battery packs.

\*\*The WELL Building Standard® is the first standard to integrate human health and wellness into the design, construction, maintenance and operations of buildings.

Select ModiFly configurations contribute toward satisfying features LO4 and L07 under the WELL Building Standard®.

\*\*\*For 347V DLC listings, please visit the DLC QPL website



### CANDELA DISTRIBUTION

Vertical Angle	Horizontal Angle					Zonal Lumens
	0°	22.5°	45°	67.5°	90°	
0°	197	197	197	197	197	
5°	195	200	208	222	221	21
15°	184	206	245	282	291	69
25°	161	204	270	309	322	118
35°	131	188	258	284	289	147
45°	97	160	219	227	227	148
55°	66	126	177	167	161	131
65°	40	98	135	114	107	105
75°	21	80	101	78	71	82
85°	9	66	80	59	51	65
90°	7	61	77	53	49	
95°	6	58	79	51	53	60
105°	7	53	82	59	63	61
115°	7	52	86	65	71	60
125°	6	50	88	71	78	56
135°	5	44	86	76	86	49
145°	4	35	76	75	89	36
155°	3	23	54	62	75	21
165°	2	11	26	36	42	7
175°	2	3	5	8	10	1
180°	2	2	2	2	2	

\*Photometric data shown is for 2500 lm/4ft, 3500K, 80 CRI configuration

### COEFFICIENTS OF UTILIZATION (%)

Pc---	80				70				50				0
Pw---	70	50	30	10	70	50	30	10	50	30	10	0	
RCR													
0	112	112	112	112	106	106	106	95	95	95	72		
1	101	95	91	86	95	90	86	81	77	74	56		
2	91	82	75	69	86	78	72	70	65	60	46		
3	83	72	64	57	78	68	61	61	55	50	38		
4	75	63	55	48	71	60	52	54	48	42	32		
5	69	56	47	41	65	54	45	48	42	36	28		
6	64	51	42	35	60	48	40	43	37	32	24		
7	59	46	37	31	55	43	35	39	33	28	21		
8	55	41	33	27	52	39	32	36	29	25	19		
9	51	38	30	24	48	36	29	33	26	22	17		
10	48	35	27	22	45	33	26	30	24	20	15		

### AVG LUMINANCE (cd/m2)

	0°	45°	90°
0°	5903	5903	5903
5°	5823	5863	5960
15°	5587	6237	6829
25°	5217	6447	6930
35°	4645	6007	5966
45°	3980	5156	4680
55°	3266	4359	3342
65°	2541	3601	2344
75°	1982	3027	1712

### ZONAL LUMEN SUMMARY

Zone	Lumens	%Fixture
0-30	207	16.8%
0-40	354	28.7%
0-60	632	51.3%
0-90	883	71.6%
90-130	237	19.2%
90-150	321	26.1%
90-180	350	28.4%
0-180	1233	100.0%

# ModiFly suspended

## Optical system

The optical system contains arrays of LEDs edge lighting a low profile light guide panel, using total internal reflection to homogenize the sources. The microstructure surface of the light guide optimizes light extraction to create an efficacious direct distribution. Standard distribution is 72% down / 28% up.

## Construction

- Housing: Extruded architectural finish aluminum.
- Endcaps: Die-cast aluminum.
- Luminaire Weight: Max weight 3.75lbs/ft, or 15lbs/4ft.

## Finish options

- Standard powder coat finish options: Hero Gold, Venom Black, Silver Nova, White, Black, Titanium Silver

## Standard drivers

- Advance Xitanium 0-10V, 1-100%.
- Advance Xitanium SR, 5-100% (SpaceWise DT and Interact Pro)
- ETO Ready Lutron EcoSystem LDE1, 1-100% with Soft-on, Fade-to-Black
- PoE Lighting Controller (by Signify)
- Constant Current Class 2 rated output. Consult Ledalite for other available drivers.
- Power Factor: >0.90
- Total Harmonic Distortion: <20%

## Standard battery pack

Bodine, 90 min, 10W, Class 2 rated output.

Battery Pack lumen output = 10W x luminaire efficacy x 1.1.

Typical output: 1300lm.

## Lumen maintenance

LEDs have been tested by the manufacturer in accordance with IESNA LM-80-08. At an ambient temperature of 25°C, the LED lumen maintenance expectation according to IES TM-21-11 is: L80 > 100,000 hours (reported methodology).

## Source color

LEDs rated for color rendering CRI >80, R9 >0 and fixture to fixture color accuracy within 2 SDCM. Available 90 CRI option is rated for CRI >90, and R9 >50.

## Mounting

- Standard mounting kits (M1 to M6) are available for drywall, t-grid, and non-accessible ceiling types (see Ledalite Mounting document for details).
- Power and non-power canopies standard finish is white. M1 and M3 canopies can be finished to match fixture color.

## Connected systems

### SpaceWise DT

SpaceWise is an easy to use, flexible, wireless lighting system. It allows you to create customized light zones in your office space, achieve high savings through LED technology and different dimming options, increase employee comfort through better quality of light and option to personalize light settings. Learn more at: [www.philips.com/spacewise](http://www.philips.com/spacewise)

### Interact Pro

Interact Pro allows you to control and personalize lighting, and provides data insights for small and medium sized businesses.

With Philips Interact Ready lighting products, you're ready to connect to the cloud-based Interact Pro app without hassle. Learn more at:

[www.interact-lighting.com/pro](http://www.interact-lighting.com/pro)

## Interact Office Wired (PoE) & Tunable White

PoE based IoT connected lighting solution for large enterprises that span across multiple floors, buildings and require multiple gateways. Use Interact Office software and insights to increase building efficiency, achieve building wide integration and optimize space through occupancy analytics. Learn more at: [www.interact-lighting.com/office](http://www.interact-lighting.com/office)

## Tunable White

Signify tunable white solutions are designed to help maximize the influence of lighting on your daily life. Dynamic behaviors via scheduled lighting recipes mimicking daylight patterns or supporting biorhythms. Learn more at: [www.usa.lighting.philips.com/products/product-highlights/tunablewhitetechnology](http://www.usa.lighting.philips.com/products/product-highlights/tunablewhitetechnology)

## Validation

- Luminaires are certified for safety to UL1589 and CSAC22.2. No.250.0
  - In accordance with CAN ICES-005-A/NEB-005-A and FCC Part 15A
- Listed on DesignLights Consortium® Qualified Products List (QPL)

## Environment

Rated for dry or damp locations in operating ambient temperatures 0-30°C (32-104°F). Certain luminaire components may be adversely affected by contaminants. Damage caused by sulfur, chlorine, petroleum based solutions or other contaminants are not covered under warranty. Not suitable for natatorium environments.

## Warranty

Five-year luminaire limited warranty including LED boards.

[www.signify.com/warranties](http://www.signify.com/warranties)

The information presented in this document is not intended as any commercial offer and does not form part of any quotation or contract.

