

High efficiency LED Low Bays. Use anywhere you need exceptional light distribution for mounting heights up to 25 feet.

Limitless options for the following applications:

- Warehouses
- Commercial Facilities
- Manufacturing Facilities
- Aisles (Open and Stack)

Great features and benefits:

- Energy-efficient drivers
- Instant on
- Long life: 50,000 hours
- Replaces traditional metal halide and linear fluorescent low bay systems
- Excellent color rendering
- Heavy duty 20 gauge housing is code grade steel



LED Low Bay with Prismatic Wraparound Lens

LED Low Bay with Prismatic Insert Lens and Wire Guard



LED
we know light.™



LED Low Bay

LED 50,000 Hours average rated life, 120-277 Volts

Applications:

Ideal for mounting heights from 10 feet to 25 feet.

- + Warehouses
- + Commercial Facilities
- + Manufacturing Facilities
- + Aisles (Open and Stack)

Features

Up to 60% less energy than HID alternatives

Long life

Very low heat generation

Excellent Color Consistency and CRI

UL approved for damp location

Benefits

Instant energy savings.

Minimizes replacement and maintenance costs.

Less energy wasted as heat.

Enhances colors of focal point while maintaining uniformity throughout lighting installation.

Can be used outdoors when protected from elements. Withstands humidity indoors/outdoors.

Led Energy Savings

TYPE	WATTS	ENERGY SAVINGS (%)
TCP LED Low Bay	85W	—
175W Metal Halide	215W	60%
4 Lamp T8 HBF	147W	42%
3 Lamp T5HO	182W	53%

Specifications

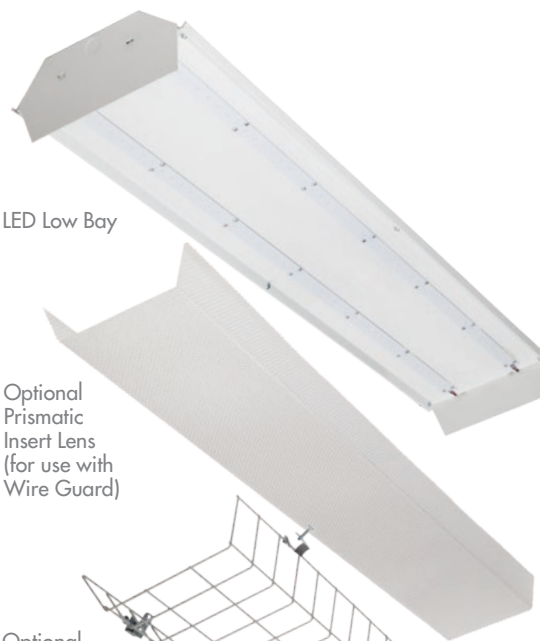
Input Line Voltage:	120 - 277 VAC
Input Power	85W
Input Line Frequency	50/60HZ
Lamp Life (Rated)	50,000 hrs
Minimum Starting Temp	-30°C
Maximum Operating Temp	50°C
CRI	82

LED Low Bay



Optional Prismatic Wraparound Lens (not for use with Wire Guard)

LED Low Bay



Optional Prismatic Insert Lens (for use with Wire Guard)

Optional Wire Guard



5 YEAR WARRANTY

For the most up-to-date specs and warranty information, please visit www.tcpi.com

TCP®

325 Campus Dr. | Aurora, Ohio 44202 | P: 800-324-1496 | tcpi.com

©TCP JUL 2014/53349



LED Low Bay

Catalog Number

Notes

Type



LED Low Bay with Wire Guard

LED Low Bay

Installation

Suspension by chain, cable, hook or monopoint with appropriate accessories.

Listing

UL/cUL Listed - Suitable for damp locations.

Warranty

Five year warranty against defects in manufacturing.

Application

The LED Low Bay's superior lumen package is ideal for replacing traditional metal halide and linear fluorescent low bay systems. Benefits include high efficiency, excellent color rendering, long life, instant on, and improved uniformity. Suggested mounting heights from 10' - 25' with primary applications including warehousing, commercial facilities, manufacturing facilities, open and stack aisle applications.

Description

The full body assembly features TCP high efficiency drivers and high output LEDs. The LED Low Bay's heavy duty 20 gauge housing and 8 gauge wireguard is code gauge steel and all components, excluding the wireguard, are post painted with a glossy, high reflectance white paint.

Electrical

All drivers are class 2 rated and UL/cUL listed. Our drivers are tightly secured by mounting bolts.

Finish

The baked white enamel finish is electrostatically applied and post painted with a glossy, highly reflective and durable white paint.

Catalog Ordering Matrix

Brand	Family	Voltage and Controls	Lumen Package	Color Temperature	Options
TCP	LB4 - 4' LED Low Bay	UNI - 120V-277V	8 - 8,000 Lumens	41K - 4100K 50K - 5000K	(See Below)

OPTIONS (Add to catalog number in order shown)

1 Power Cords

- 6C - 6' PCord 300V 16/3 SJT00W NO PLUG
- 6C4 - 6' PCord 300V 18/4 SJTOW NO PLUG
- 6W - 6' WHIP PCord 600V 16/3 NO PLUG
- 2P - 8' PCord 125V 15A 16/3 SJT00W NEMA 5-15P
- 3P - 8' PCord 125V 15A 16/3 SJTOW NEMA L5-15P
- 8T - 8' PCord 480V 20A 16/3 SEOW NEMA L8-20P
- 9T - 8' PCord 250V 20A 16/3 SJTOW NEMA L6-20P
- 4T - 10' PCord 125V 20A 16/3 SJTOW NEMA L5-20P
- 10T - 10' PCord 277V 15A 14/3 SJTOW NEMA L7-15P
- 10T2 - 10' PCord 277V 20A 14/3 SJTOW NEMA L7-20P
- 10C - 10' PCord 277V SJT00W NO PLUG
- 10C6 - 10' PCord 600V 15A 16/3 STOW NO PLUG
- 20C - 20' PCord 277V 20A 16/3 SJT00W NO PLUG
- 20C4 - 20' PCord 300V 18/4 SJTOW NO PLUG

2 Occupancy Sensors

- TS1 - TCP Occupancy Sensor w/bracket and interchangeable lenses, 40' or less, 120V, 277V, or 347V.
- TS1C - TCP Cold Storage Occupancy Sensor w/bracket and interchangeable lenses, 40' or less, 120V, 277V, or 347V.
- TS4 - TCP Occupancy Sensor w/bracket and interchangeable lenses, 40' or less, 480V.
- TS4C - TCP Cold Storage Occupancy Sensor w/bracket and interchangeable lenses, 40' or less, 480V.

3 Wire Guard / Lens

- WG - Wire Guard
- PIL - Prismatic Insert Lens, to be used with Wire Guard
- PWL - Prismatic Wrap Lens, not to be used with Wire Guard

4 Special Mounting

- HCB - Hub Connector Box - 3/4" Threaded Hub Mount

5 Special Packaging

- SP - Single Packed

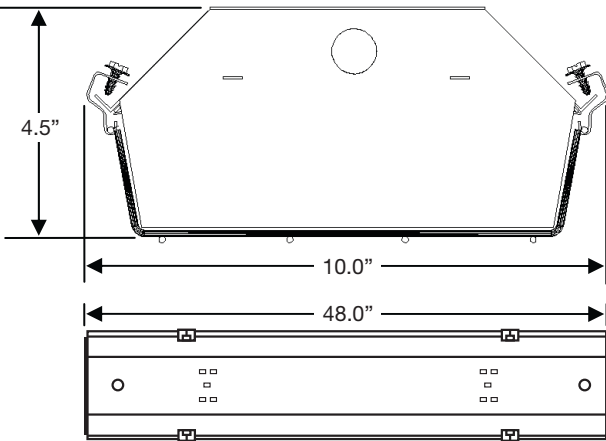
AVAILABLE HANGING KITS (ordered separately)

- EZHANGER - 15' adjustable aircraft cable hanging kit



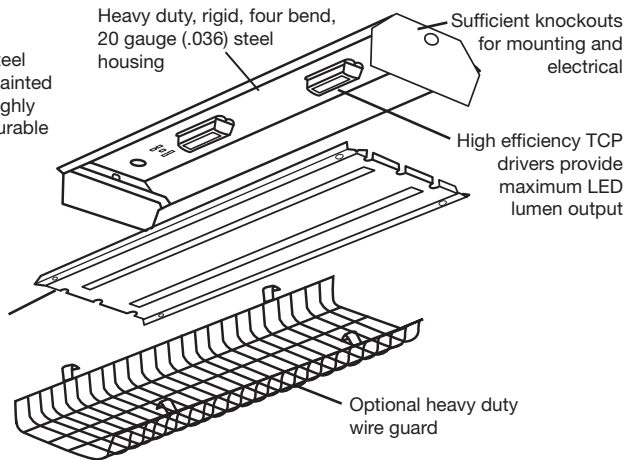
LED Low Bay

Dimensions & Construction



All cold rolled steel parts are post painted with a glossy, highly reflective and durable white paint

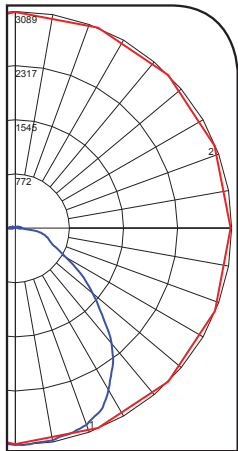
Metal plate dissipates heat from the LEDs for maximum lifespan



Photometric Report

TCP LED Low Bay with Prismatic Wraparound Lens

LED Low Bay Luminaire with lumen rating of 8000 lumens and two high efficiency drivers operating at 120-277 VAC and 85 watts.



Maximum Candela = 3089.14
Located At Horizontal Angle = 67.5,
Vertical Angle = 2

1 - Vertical Plane Through
Horizontal Angles (67.5 - 247.5)
(Through Max. Cd.)

2 - Horizontal Cone Through
Vertical Angle (2) (Through Max. Cd.)

Photometric Report

Efficiency (total) N.A.
Spacing Criterion (0-180) 1.14
Spacing Criterion (90-270) 1.36

Average Luminance (Candelas / Square Meter)

Angle In Degrees	Average 0-Deg	Average 45-Deg	Average 90-Deg
45	6292	6033	7614
55	6478	5818	5529
65	6530	5919	3710
75	7261	6841	3373
85	5550	5434	4704

Coefficient of Utilization Table Effective Floor Cavity Reflectance = 20%

RC RW	80				70				50				30				10				0					
	70	50	30	10	70	50	30	10	50	30	10	50	30	10	50	10	30	10	50	10	30	10	0	0	0	0
0	118	118	118	118	115	115	115	115	109	109	109	103	103	103	98	98	98	96	98	98	98	96	0	0	0	0
1	108	103	99	95	105	100	97	93	95	92	89	91	88	86	86	84	83	80	86	84	83	80	0	0	0	0
2	98	90	84	78	95	88	82	77	84	79	74	80	76	72	76	73	70	67	76	73	70	67	0	0	0	0
3	90	80	72	66	87	78	71	65	74	68	63	71	66	61	68	64	60	57	68	64	60	57	0	0	0	0
4	83	71	63	56	80	70	62	56	66	60	54	64	58	53	61	56	52	50	61	56	52	50	0	0	0	0
5	76	64	55	49	74	63	54	48	60	53	47	57	51	46	55	50	46	43	55	50	46	43	0	0	0	0
6	71	58	49	43	69	57	48	42	54	47	42	52	46	41	50	45	40	38	50	45	40	38	0	0	0	0
7	66	53	44	38	64	52	44	38	50	42	37	48	41	37	46	40	36	34	46	40	36	34	0	0	0	0
8	61	48	40	34	59	47	39	34	46	38	33	44	38	33	43	37	33	31	43	37	33	31	0	0	0	0
9	57	44	36	31	56	43	36	31	42	35	30	41	34	30	39	34	30	28	39	34	30	28	0	0	0	0
10	54	41	33	28	52	40	33	28	39	32	28	38	32	27	37	31	27	25	37	31	27	25	0	0	0	0

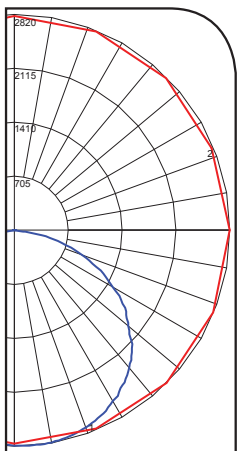
Zonal Lumen Summary

Zone	Lumens	% Lamp	% Fixture
0-20	1127.91	N.A.	14.00
0-30	2376.36	N.A.	29.50
0-40	3788.57	N.A.	47.10
0-60	6187.04	N.A.	76.90
0-80	7500.9	N.A.	93.30
0-90	7683.07	N.A.	95.50
10-90	7392.12	N.A.	91.90
20-40	2660.67	N.A.	33.10
20-50	3981.05	N.A.	49.50
40-70	3175.95	N.A.	39.50
60-80	1313.87	N.A.	16.30
70-80	536.39	N.A.	6.70
80-90	182.16	N.A.	2.30
90-110	199.14	N.A.	2.50
90-120	265.89	N.A.	3.30
90-130	310.28	N.A.	3.90
90-150	351.32	N.A.	4.40
90-180	360.49	N.A.	4.50
110-180	161.35	N.A.	2.00
0-180	8043.56	N.A.	100.00
Total Luminaire Efficiency = N.A.%			

Photometric Report

TCP LED Low Bay

LED Low Bay Luminaire with lumen rating of 8000 lumens and two high efficiency drivers operating at 120-277 VAC and 85 watts.



Maximum Candela = 2820.42
Located At Horizontal Angle = 31.5,
Vertical Angle = 7

1 - Vertical Plane Through
Horizontal Angles (31.5 - 135)
(Through Max. Cd.)

2 - Horizontal Cone Through
Vertical Angle (7) (Through Max. Cd.)

Photometric Report

Efficiency (total) N.A.
Spacing Criterion (0-180) 1.32
Spacing Criterion (90-270) 1.38

Average Luminance (Candelas / Square Meter)

Angle In Degrees	Average 0-Deg	Average 45-Deg	Average 90-Deg
45	7738	8141	8602
55	7653	8197	8397
65	7430	8002	7681
75	6752	7097	6171
85	26	352	2804

Coefficient of Utilization Table Effective Floor Cavity Reflectance = 20%

RC RW	80				70				50				30				10				0					
	70	50	30	10	70	50	30	10	50	30	10	50	30	10	50	10	30	10	50	10	30	10	0	0	0	0
0	119	119	119	119	116	116	116	116	111	111	111	106	106	106	102	102	102	100	102	102	102	100	0	0	0	0
1	109	104	100	96	106	102	98	95	98	94	92	94	91	89	90	88	86	84	90	88	86	84	0	0	0	0
2	99	91	84	78	96	89	82	77	85	80	75	82	77	73	79	75	72	70	79	75	72	70	0	0	0	0
3	90	79	71	64	87	78	70	64	75	68	63	72	66	61	69	64	60	58	69	64	60	58	0	0	0	0
4	82	70	61	54	80	69	60	54	66	59	53	64	57	52	61	56	52	49	61	56	52	49	0	0	0	0
5	75	62	53	46	73	61	53	46	59	51	46	57	50	45	55	49	45	42	55	49	45	42	0	0	0	0
6	69	56	47	40	67	55	46	40	53	45	40	51	45	39	50	44	39	37	50	44	39	37	0	0	0	0
7	64	51	42	35	62	50	41	35	48	41	35	47	40	35	45	39	34	32	45	39	34	32	0	0	0	0
8	60	46	37	31	58	45	37	31	44	36	31	43	36	31	41	35	31	29	41	35	31	29	0	0	0	0
9	56	42	34	28	54	42	34	28	40	33	28	39	33	28	38	32	28	26	38	32	28	26	0	0	0	0
10	52	39	31	25	51	38	31	25	37	30	25	36	30	25	35	29	25	23	35	29	25	23	0	0	0	0

Zonal Lumen Summary

Zone	Lumens	% Lamp	% Fixture
0-20	1044.22	N.A.	11.90
0-30	2258.32	N.A.	25.70
0-40	3778.4	N.A.	43.10
0-60	6917.51	N.A.	78.80
0-80	8681.79	N.A.	98.90
0-90	8754.03	N.A.	99.80
10-90	8487.16	N.A.	96.70
20-40	2734.19	N.A.	31.20
20-50	4366.19	N.A.	49.80
40-70	4292.19	N.A.	48.90
60-80	1764.29	N.A.	20.10
70-80	611.21	N.A.	7.00
80-90	72.23	N.A.	0.80
90-110	8.01	N.A.	0.10
90-120	10.91	N.A.	0.10
90-130	13.50	N.A.	0.20
90-150	18.05	N.A.	0.20
90-180	20.88	N.A.	0.20
110-180	12.88	N.A.	0.10
0-180	8774.91	N.A.	100.00
Total Luminaire Efficiency = N.A.%			