

SOLID STATE AREA LIGHTING

8630 SERIES-LED

SPECIFICATIONS

HOUSING

Heavy wall cast aluminum (A356 alloy; < 0.2% copper) construction. Powder coated for use in concrete. Two (2) 3/4" NPT conduit entries provided at bottom of Splice Compartment.

LENS FRAME

Corrosion resistant, precise cast aluminum (A356 alloy; <0.2% copper) construction with vandal resistant lens guard.

LED MODULE

Array of multiple LED Tubes fastened to a retaining plate. Each LED Tube consists of circuit board populated with a multiple of LED's and is mechanically fastened to a radial aluminum heat sink. An acrylic Lens and end cap protects the LED Tube's internal components.

LED EMITTERS

High Output LED's are driven at 350mA for nominal 1 Watt output each. LED's are available in standard Neutral White (4000K), or optional Cool White (5000K) or Warm White (3000K). Consult Factory for other LED options.

LED DRIVER

Constant current LED drivers are UL and cUL recognized mounted on a single plate and factory prewired with quick-disconnect plugs. Drivers are electronic and have a power factor of >.90 and a minimum operating temperature of -40°F. Drivers accept an input of 120-277V, 50/60Hz. (Consult factory for dimming applications.)

FINISH

Polyester powder coat incorporates four step iron phosphate process to pretreat metal surface for maximum adhesion. Top coat is baked at 400°F for maximum hardness and exterior durability.

PROJECT NAME: _____

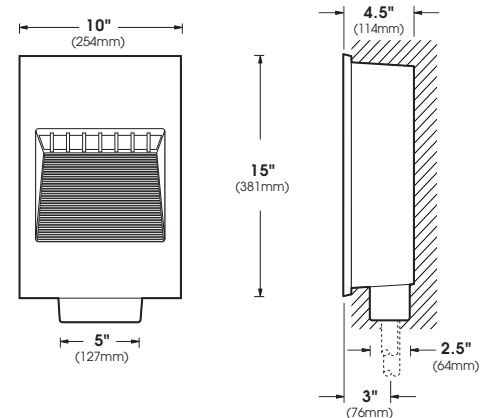
PROJECT TYPE: _____

GET A QUOTE >



8630

PATENT PENDING

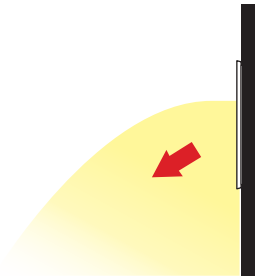
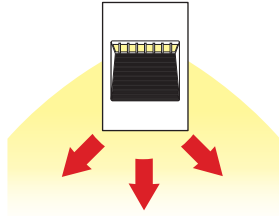


2014064

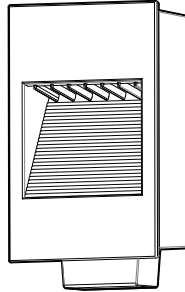
8630 SERIES - LED

S P E C I F I C A T I O N S

OPTICAL CONFIGURATIONS

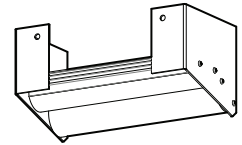


LED POWER ARRAY™ MODULE



8630-LED

16 LED



LED MODULE

Spec/Order Example: 8630/16LED-CW/277/RAL-8019-T

S P E C / O R D E R I N G I N F O R M A T I O N

MODEL	# of LED's	COLOR TEMP - CCT	VOLTAGE	FINISH	OPTIONS
MODEL	LED	FINISH	OPTIONS		
<input type="checkbox"/> 8630 Recessed	<input type="checkbox"/> 16LED (19 Watts) <input type="checkbox"/> NW (4000K)* *STANDARD <input type="checkbox"/> CW (5000K) <input type="checkbox"/> WW (3000K) OTHER LED COLORS AVAILABLE CONSULT FACTORY 1 - CONSULT FACTORY FOR 347V APPLICATION	<input type="checkbox"/> 120 <input type="checkbox"/> 208 <input type="checkbox"/> 240 <input type="checkbox"/> 277	STANDARD TEXTURED FINISH <input type="checkbox"/> BLACK..... RAL-9005-T <input type="checkbox"/> WHITE..... RAL-9003-T <input type="checkbox"/> GREY..... RAL-7004-T <input type="checkbox"/> DARK BRONZE RAL-8019-T <input type="checkbox"/> GREEN..... RAL-6005-T FOR SMOOTH FINISH REPLACE SUFFIX "-T" WITH SUFFIX "-S" (EXAMPLE: RAL-9005-S) CONSULT FACTORY FOR CUSTOM COLORS	<input type="checkbox"/> 10KV SURGE PROTECTOR..... 10SP <input type="checkbox"/> SINGLE FUSED (120V., 277V)..... SF <input type="checkbox"/> DOUBLE FUSE (208V., 240V)..... DF	