



PROFESSIONAL
OUTDOOR LIGHTING

Type: _____

Model: _____

Project: _____

SPECIFICATION SHEET

MODEL 1182 Architectural Series • Inground & Well Lights

FIXTURE SPECIFICATIONS:

DOOR:

Machined and passivated stainless steel or TYPE III hard anodized/ powdercoat die cast A360 aluminum with captive stainless steel fasteners.

FIXTURE HOUSING:

Injection-molded, glass-reinforced polymer for strength and high UV stability. Unibody construction allows for superior door and optic housing support. Standard with two 1/2" NPT side **S12** tapped holes. 1/2" NPT bottom **B12** and 3/4" NPT bottom **B34** conduit entry holes optional without side holes.

OPTIC/DRIVER HOUSING:

Die-cast A360 aluminum. Type III hard anodized for maximum corrosion protection. Optic and driver compartment separately sealed while being electrically connected. Driver compartment houses electronic LED driver. Driver compartment is completely epoxy potted to protect electronics from moisture.

DOOR FINISH:

Durable powder coat finish available in Black, Architectural Bronze, Dark Bronze, Granite, White, Architectural Brick, Light Bronze, Special Bronze, Glossy Gray, Rust, Hunter Green, Weathered Bronze, Weathered Iron, Graphite Metallic, Verde, Pewter, Mocha and Olde Finish. Custom Powder coat finishes available on request. Also available in Stainless Steel and 304 Stainless Steel.

LED:

Cree® CXB 1310 COB

CRI:

The CRI range is 83 - 84.

COLOR TEMPERATURE:

LED's are offered in 2700°K, 3000°K, 3500°K, 4000°K, or 5000°K CCT ANSI white 4 step Cree® East White™ bins

LIGHT DISTRIBUTION:

Very Narrow Spot **VNS** (NEMA 1x1), Narrow Spot **NS** (NEMA 1x1), Medium Flood **MF** (NEMA 4x4), and Wide Flood **WF** (NEMA 5x5).

OPTICS:

TIR/Reflectorized optics designed for maximum performance and uniformity. Very Narrow Spot VNS optic incorporates an internal source shield to eliminate unwanted glare outside the beam pattern.

LENS/SEAL:

3/16" thick tempered pressed clear glass sealed with a solid molded silicone gasket. Optional anti slip clear lens **AX**.

DRIVER:

Integral CUL listed LED driver, offered with three fixed power levels **B**, **C**, & **D** ranging from 287 lumens to 1084 lumens. A tri-modal dimmable model (power level **E**) is offered which is suitable for phase cut dimming (**PCT**) or 0-10VDC dimming (**010**) and delivers 1300 lumens at full output. Dual-Volt **DV** 120V or 277V driver input standard.

ACCESSORIES:

TO5 - Tilt Optic 5°, **TO10** - Tilt Optic 10°, **TO15** - Tilt Optic 15°, **LSF** - Linear Spread Filter, **RBK** - Rebar Bracket Kit, **STR** Stainless Trim Ring.

MOUNTING:

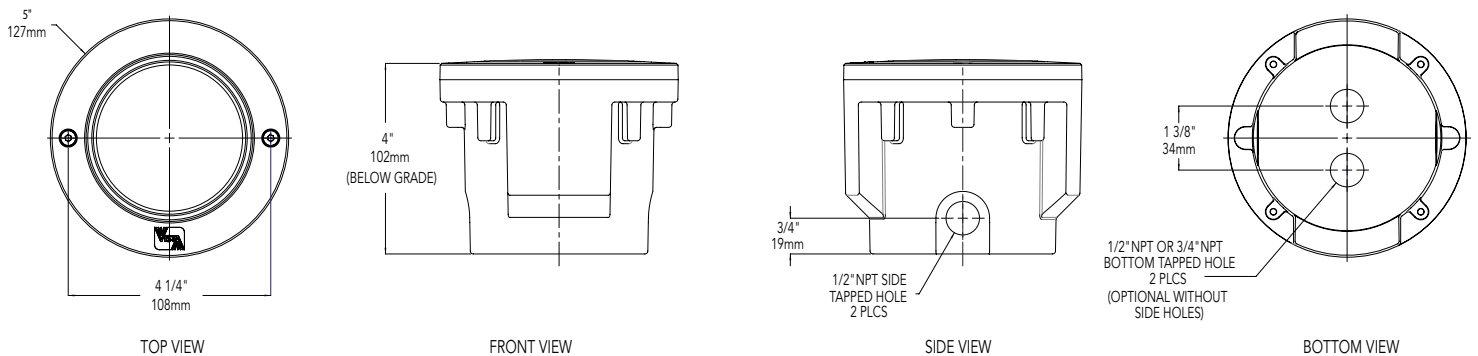
Fixture suitable for direct burial in earth or poured concrete. Also suitable for IC (walls only) and Non-IC installation. For both indoor and outdoor applications.

CERTIFICATION:

UL & CUL wet location listed. *IP68*

All Vista Architectural luminaires are **MADE IN THE U.S.A.**

DIMENSIONS:



Vista Professional Outdoor Lighting reserves the right to modify the design and/or construction of the fixture shown without further notification.



SPECIFICATION SHEET

MODEL 1182 Architectural Series • Inground & Well Lights

LAMP SPECIFICATIONS

LED:

- Cree® CXB 1310 COB
- 2700°K, 3000°K, 3500°K, 4000°K, or 5000°K CCT ANSI white 4 step Cree® Easy White™ bins
- 287-1300 Delivered Lumens
- 6.28W - 14Watts

OPTICS/AIMING:

- Fixture aiming achieved via a series of tilt optic lenses and patented magnetic aiming system
- TIR/Reflectorized optics designed for maximum performance and uniformity

Very Narrow Spot **VNS** (NEMA 1x1), Narrow Spot **NS** (NEMA 1x1), Medium Flood **MF** (NEMA 4x4), and Wide Flood **WF** (NEMA 5x5).

ELECTRICAL:

- Constant current output driver.
- Dual-Volt **DV** 120V or 277V input.
- Three fixed power outputs (B,C,D) and one tri-modal dimmable output (E) suitable for phase cut (PCT) or 010 dimming.

1182 SERIES-LOAD RATING:

- Peak compressive force of **10,000 lbs.** This represents 95% of max load to load failure on average. Independent tests performed by SGS US Testing Company, Inc., an ISO 17025 accredited National Testing Laboratory.

FIXTURE ORDERING INFORMATION

TO ORDER FIXTURE: Select appropriate choice from each column as in the following example.

EXAMPLE: 1182-SS-SS-VNS-30-E-DV-CX-010-S12-TO5

MODEL	DOOR COVER	DOOR FINISH	DISTRIBUTION	COLOR TEMPERATURE	DELIVERED LUMENS/POWER LEVEL
1182	SS - Stainless Steel AL - Aluminum	SS - Stainless Steel *	VNS - Very Narrow Spot NS - Narrow Spot MF - Medium Flood WF - Wide Flood	27 - 2700°K 30 - 3000°K 35 - 3500°K 40 - 4000°K 50 - 5000°K	VNS: B - 287 C - 511 D - 588 E - 646
		Standard			
		B - Black			
		Z - Architectural Bronze			
		DZ - Dark Bronze			
		W - White			
		GT - Granite			
		Premium			
		BR - Architectural Brick			
		LZ - Light Bronze			
SB - Special Bronze					
GG - Glossy Gray					
R - Rust					
HG - Hunter Green					
WB - Weathered Bronze					
WI - Weathered Iron					
GM - Graphite Metallic					
Hand Finished					
G - Verde					
P - Pewter					
M - Mocha					
OF - Olde Finish					
*SS finish only avail with SS Door					
					NS: B - 455 C - 777 D - 912 E - 1093
					MF: B - 564 C - 908 D - 1043 E - 1241
					WF: B - 569 C - 903 D - 1084 E - 1300

VOLTAGE	LENS	NON DIMMING / DIMMING	CONDUIT ENTRIES	ACCESSORIES
DV - Dual-Volt (120V or 277V)	CX - Crowned Clear AX - Anti Slip Clear	ND - No dimming (power levels B, C, D, E) PCT -Phase Cut dimming TRIAC (120V input only) (Power level E only) 010 - 010V Dimming (Power level E only)	S12 - Side 1/2 " B12 - Bottom 1/2" B34 - Bottom 3/4"	TO5 - Tilt Optic 5° TO10 - Tilt Optic 10° TO15 - Tilt Optic 15° LSF - Linear Spread Filter RBK - Rebar Bracket Kit STR - Stainless Trim Ring

Vista Professional Outdoor Lighting reserves the right to modify the design and/or construction of the fixture shown without further notification.



SPECIFICATION SHEET

MODEL 1182 Architectural Series • Inground & Well Lights

LUMEN OUTPUT PACKAGES

Watts	Lumens
-------	--------

Beam Spread	B	C	D	E
VNS	6.35 Watts 287 Lumens	10 Watts 511 Lumens	11.73 Watts 588 Lumens	14 Watts 646 Lumens
NS	6.33 Watts 455 Lumens	9.9 Watts 777 Lumens	11.7 Watts 912 Lumens	13.8 Watts 1093 Lumens
MF	6.27 Watts 564 Lumens	9.8 Watts 908 Lumens	11.6 Watts 1043 Lumens	14 Watts 1241 Lumens
WF	6.28 Watts 570 Lumens	9.8 Watts 904 Lumens	11.5 Watts 1084 Lumens	14 Watts 1300 Lumens

Vista Professional Outdoor Lighting reserves the right to modify the design and/or construction of the fixture shown without further notification.