



SPECIFICATION SHEET

MODEL 5281 Landscape Series • In-Ground & Well Lights

FIXTURE SPECIFICATIONS:

HOUSING:

Injection-molded, glass-reinforced Ryton® R-4 composite for strength & high UV stability – warranted for ten years against corrosion, suspended inside a 6" black ABS well.

LENS COVER:

Injection-molded, glass-reinforced Ryton® R-4 composite fitted to housing with a silicone O-ring gasket – providing a superior weather-tight seal.

FINISH:

Durable powder coat finish available in Black, Architectural Bronze, Dark Bronze, Granite, White, Architectural Brick, Light Bronze, Special Bronze, Glossy Gray, Rust, Hunter Green, Weathered Bronze, Weathered Iron, Graphite Metallic, Verde, Pewter, Mocha and Olde Finish. Custom Powder coat finishes available on request.

SOCKET/LAMP HOLDER:

Top grade ceramic socket with nickel contacts, stainless steel springs, & Teflon-jacketed wire leads.

LENS:

Clear, tempered, shock & heat-resistant, soda-lime glass lens - crowned to promote water runoff. Optical effect lenses are available; see accessories column on fixture ordering information chart.

LAMP TYPE:

MR-16 Halogen – 50W maximum. LN-20 BAB/FG (20W) Standard.

OPTICS/AIMING:

Adjustable lamp bracket provides up to ±25° of tilt as well as 360° rotation of housing for precise beam control. Lamp bracket can be locked into place to prevent disrupting lamp position when relamping. Housing bracket within ABS well provides up to ±45° of tilt in addition to lamp bracket.

MOUNTING:

In-grade installation.

FASTENERS/INSERTS:

All fasteners are stainless steel with brass inserts.

WIRING:

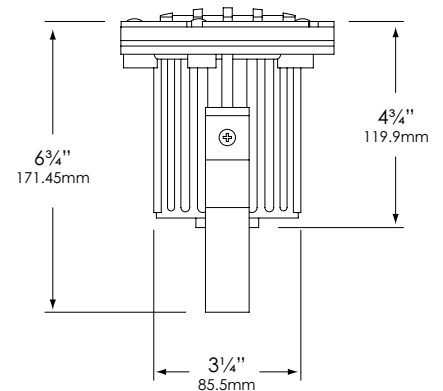
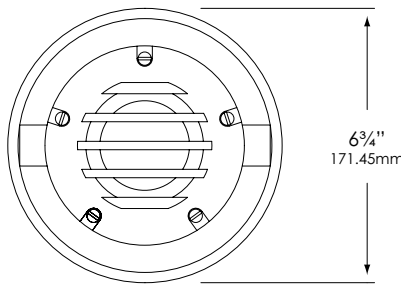
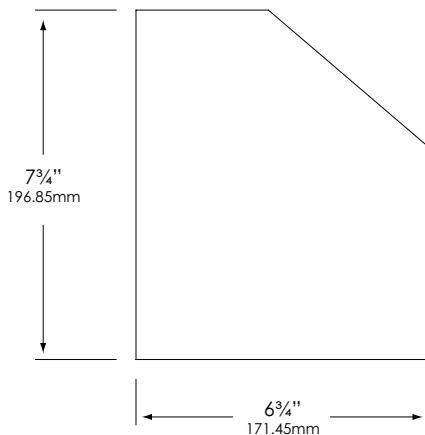
Prewired with a three-foot pigtail of 18-2 direct-burial cable & underground connectors for a secure connection to supply cable.

CERTIFICATION:

UL Listed to U.S. & Canadian safety standards for low voltage landscape luminaires (UL 1838). Maximum wattages allowed by Underwriters Laboratories (UL) for U.S. & Canadian markets may vary. Maximum wattages specified are Underwriters Laboratories U.S. standard. Please contact Vista for any questions about maximum wattages allowed by UL Canadian standards. This luminaire has an ingress protection rating of IP67 for protection against detrimental dust intrusion as well as penetration of water under submersion.

All Vista luminaires are [MADE IN U.S.A.](#)

DIMENSIONS:



Vista Professional Outdoor Lighting reserves the right to modify the design and/or construction of the fixture shown without further notification.



SPECIFICATION SHEET

MODEL 5281 Landscape Series • In-Ground & Well Lights

FIXTURE ORDERING INFORMATION

TO ORDER FIXTURE: Select appropriate choice from each column as in the following example.

EXAMPLE: GW-5281-B-BAB/FG-SL

MOUNTING	MODEL	FINISH	LAMP	ACCESSORIES
GW- In-grade	5281	Standard	BAB/FG - 20W	CBL - Crowned Cool Blue lens CFR - Crowned Frosted lens SL- Flat Spread lens DBL- Flat Dark Blue lens GL- Flat Dark Green lens RL- Flat Red lens YL- Flat Amber lens HL- Honeycomb louver
		B - Black	LN-20 BAB/FG Standard Halogen	
		Z - Architectural Bronze	4.5-W-36 - 4.5W	
		DZ - Dark Bronze	LN16-4.5-W-A-36-LED standard LED	
		GT - Granite	W-LF3SP - Warm, 3 Emitter, 5W, Spot	
		W - White	C-LF3SP - Cool, 3 Emitter, 5W, Spot	
		Premium	W-LF3MF - Warm, 3 Emitter, 5W, Medium Flood	
		BR - Architectural Brick	C-LF3MF - Cool, 3 Emitter, 5W, Medium Flood	
		LZ - Light Bronze	W-LF3WF - Warm, 3 Emitter, 5W, Wide Flood	
		SB - Special Bronze	C-LF3WF - Cool, 3 Emitter, 5W, Wide Flood	
GG - Glossy Gray	W-LF6SP - Warm, 6 Emitter, 10W, Spot			
R - Rust	C-LF6SP - Cool, 6 Emitter, 10W, Spot			
HG - Hunter Green	W-LF6MF - Warm, 6 Emitter, 10W, Medium Flood			
WB - Weathered Bronze	C-LF6MF - Cool, 6 Emitter, 10W, Medium Flood			
WI - Weathered Iron	W-LF6WF - Warm, 6 Emitter, 10W, Wide Flood			
GM - Graphite Metallic	C-LF6WF - Cool, 6 Emitter, 10W, Wide Flood			
Hand Finished	W-LF9SP - Warm, 9 Emitter, 17W, Spot			
G - Verde	C-LF9SP - Cool, 9 Emitter, 17W, Spot			
P - Pewter	W-LF9MF - Warm, 9 Emitter, 17W, Medium Flood			
M - Mocha	C-LF9MF - Cool, 9 Emitter, 17W, Medium Flood			
OF - Olde Finish	W-LF9WF - Warm, 9 Emitter, 17W, Wide Flood			
	C-LF9WF - Cool, 9 Emitter, 17W, Wide Flood			
	(Please see lamp order code column on lamp guide, Vista product catalog.)			

Fixtures shipped with standard lamp, unless otherwise specified.
 Fixtures shipped with specified mounting hardware.