



**PROFESSIONAL  
OUTDOOR LIGHTING**

Type:

Model:

Project:

# SPECIFICATION SHEET

## MODEL 1505 Architectural Series • Step Lights • LED

### FIXTURE SPECIFICATIONS:

**HOUSING:**

Compression-molded fiber-reinforced polymer. High-strength, heat resistant and UV stable. Molded in threaded brass inserts.

**DOOR COVER:**

Door cover available in choice of three styles - beveled edge tempered glass aperture plate, die-cast copper-free aluminum bordered cover with tempered glass lens, or die-cast copper-free aluminum louvered cover with tempered glass lens.

**FINISH:**

Available in Black, Architectural Bronze, Light Bronze, Dark Bronze, Verde, Pewter, Architectural Brick, Granite, Terra-cotta, Rust, Hunter Green, Mocha, Weathered Bronze, Weathered Iron & White.

**OPTICS/AIMING:**

No-glare optics. Hot-aiming adjustable performance optic assembly. 30° of adjustment for precise beam control.

**LAMP TYPE:**

Nine high output LED emitters, powered for high efficiency. Modular performance optic package.

**REFLECTOR:**

Extruded aluminum, satin etched. Adjustable ±15° from preset 0° position.

**ELECTRICAL:**

Constant current Class 2 output driver with universal voltage input. Suitable for through branch wiring. Four ½" NPT conduit entry hubs with knockout membrane standard.

**MOUNTING:**

Rough-in box designed for installation in concrete, brick/block, wood frame construction (non-IC) and insulated walls (IC).

**FASTENERS/INSERTS:**

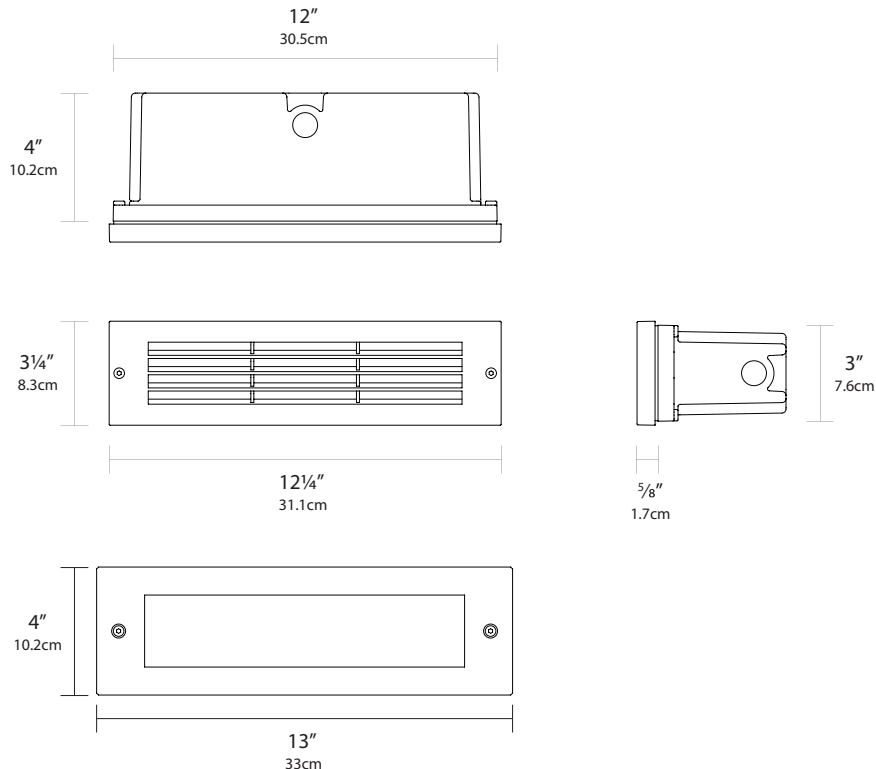
All fasteners are stainless steel.

**CERTIFICATION:**

UL Listed to U.S. & Canadian safety standards for line voltage landscape luminaires (UL 1598). Suitable for wet locations.

All Vista luminaires are **MADE IN THE U.S.A.**

### DIMENSIONS:



Vista Professional Outdoor Lighting reserves the right to modify the design and/or construction of the fixture shown without further notification.



## SPECIFICATION SHEET

### MODEL 1505 Architectural Series • Step Lights • LED

#### LAMP SPECIFICATIONS:

##### LED

- High output LED, powered for high efficiency
- Modular performance optic package
- 16W
- 542 Lumens

##### OPTICS / AIMING

- No-glare optics
- Hot-aiming adjustable performance optic assembly
- 30° of adjustment for precise beam control

##### ELECTRICAL

- Constant current Class 2 output driver
- Universal voltage input
- Suitable for through branch wiring
- Four 1/2" NPT conduit entry hubs with knockout membrane standard

#### FIXTURE ORDERING INFORMATION

TO ORDER FIXTURE: Select appropriate choice from each column as in the following example.

**EXAMPLE: 1505-AL-B-W-MV-CP-ER1**

MODEL	DOOR COVER	FINISH	COLOR TEMP	VOLTAGE	HOUSING (Rough-in Box)	ACCESSORIES
1505	AB - Aluminum Border AL - Aluminum Louver GB - Glass Border	B - Black Z - Architectural Bronze DZ - Dark Bronze LZ - Light Bronze G - Verde P - Pewter BR - Architectural Brick GT - Granite TC - Terracotta R - Rust HG - Hunter Green M - Mocha WB - Weathered Bronze WI - Weathered Iron W - White CST - Custom	W - Warm N - Neutral	MV - Multi-volt	CP - Composite	ER1 - Extension Ring x1 ER2 - Extension Ring x2 ER3 - Extension Ring x3

Fixtures shipped with standard lamp, unless otherwise specified.

Fixtures shipped with specified mounting hardware.