

PROJECT :
TYPE :
ORDERING # :
COMMENTS :

EAGLE PRF LED

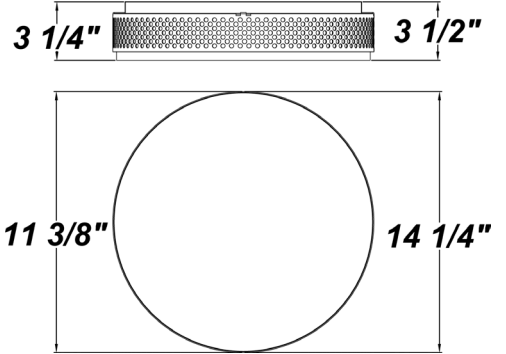


FEATURES

- Aluminum Mounting Pan w/ Hi-Reflectance White Powder Coat Finish
- Steel Perforated Collar w/ Matte Silver Powder Coat Finish
- Luminous White Acrylic Diffuser
- Mounts Directly to 4" Junction Box (By Others)
- Mounting Hardware Included
- ADA Compliant
- Damp Location

DIMMING FEATURES

- Dimmable to <5%
- Dimmable With Either Triac or Electronic Dimmers
- Over-Current, Over-Voltage, and Short Circuit Protection
- Constant Current at 350 Milliamps
- UL Class 2 Driver - Power Factor >.90
- Estimated 50,000 Hours Life (L70)
- 120V Drivers Are Dimmable
- 277V Drivers Are Not Dimmable



Please Note: For Mount Pan Finishes, Contact Factory For Ordering Code And Pricing

ORDERING INFORMATION

Example : (EE - PRF - L12.5 - 120V - WAL - SM - 30K) Matte Silver is Standard Finish

PRODUCT	SOURCE/WATTAGE	VOLTAGE	DIFFUSER	FINISH	OPTIONS
Eagle PRF 11" Fixture	L12.5 - (36) LED Array	120V - 120V 277V - 277V (50 / 60Hz)	WAL - White Acrylic (Standard) WPL - White Polycarbonate	WH - Gloss White (Standard) SM - Matte Silver TB - Textured Black AC - Antique Copper AS - Antique Silver BT - Bronze Mist CP - Copper SN - Sand SW - Swedish Steel BZ - Textured Bronze TW - Textured White RAL Colors or Custom Match - Consult Factory	30K - 12.5W Has 808 Fixture Lumens 35K - 12.5W Has 833 Fixture Lumens 40K - 12.5W Has 840 Fixture Lumens 30K - 25.0W Has 1513 Fixture Lumens 35K - 25.0W Has 1560 Fixture Lumens 40K - 25.0W Has 1572 Fixture Lumens See Page 2 For Wattage Specifications

REPLACEMENT PARTS **NOTES**

REPLACEMENT PARTS	PART NO.
11" White Acrylic Diffuser	3011360
14" White Acrylic Diffuser	3011560

We reserve the right to revise the design or components of any product due to parts availability or change in UL standards, without assuming any obligation or liability to modify any products previously manufactured, and without notice.





PROJECT :
TYPE :
ORDERING # :
COMMENTS :

PRODUCT	SOURCE/WATTAGE	30K SPECIFICATIONS	35K SPECIFICATIONS	40K SPECIFICATIONS
Eagle PRF 11" Fixture	L12.5 - (36) LED Array - Constant Current @350mA - 12.5 Input Watts 50,000 Hours(L70)	12.5W LED ARRAY 30K - 3000K Color Temp. - 80 CRI Typ. - 1090 LED Lumens (808 Fixture Lumens) - Estimated 65 Lumens Per Watt	12.5W LED ARRAY 35K - 3500K Color Temp. - 80 CRI Typ. - 1124 LED Lumens (833 Fixture Lumens) - Estimated 67 Lumens Per Watt	12.5W LED ARRAY 40K - 4000K Color Temp. - 80 CRI Typ. - 1133 LED Lumens (840 Fixture Lumens) - Estimated 67 Lumens Per Watt
Eagle PRF 14" Fixture	L25.0 - (72) LED Array - Constant Current @350mA - 25.0 Input Watts 50,000 Hours(L70)	25.0W LED ARRAY 30K - 3000K Color Temp. - 80 CRI Typ. - 2165 LED Lumens (1513 Fixture Lumens) - Estimated 61 Lumens Per Watt	25.0W LED ARRAY 35K - 3500K Color Temp. - 80 CRI Typ. - 2233 LED Lumens (1560 Fixture Lumens) - Estimated 62 Lumens Per Watt	25.0W LED ARRAY 40K - 4000K Color Temp. - 80 CRI Typ. - 2250 LED Lumens (1572 Fixture Lumens) - Estimated 63 Lumens Per Watt

ARRA 2009



BUY AMERICA ACT
ADA Compliant