

| |
|--------------|
| PROJECT : |
| TYPE : |
| ORDERING # : |
| COMMENTS : |

THORPE LED

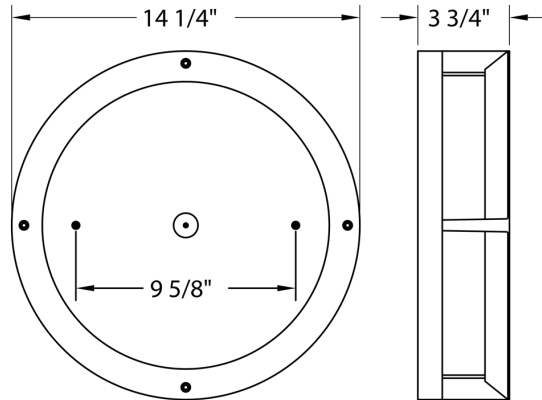


FEATURES

- Die-Cast Aluminum Housing w/ Matte Silver Polyester Powder Coat Finish
- Luminous White Polycarbonate Diffuser
- Steel Mount Pan w/ Luminous White Powder Coat Finish
- Lamps Included
- Mounts Directly to Surface, Centered Over 4" Junction Box (By Others)
- Pending CSA Listed Wet Location For Wall or Ceiling Mounting
- ADA Compliant
- Vandal Resistant

DIMMING FEATURES

- Dimmable to <5%
- Dimmable With Either Triac or Electronic Dimmers
- Over-Current, Over-Voltage, and Short Circuit Protection
- Constant Current at 350 Milliamps
- UL Class 2 Driver - Power Factor >.90
- Estimated 50,000 Hours Life (L70)



ORDERING INFORMATION

Example : (TE - L25.0 - 120V - BT - 35K)

Matte Silver is Standard Finish

| TE | | | | | |
|------------|-------------------------------------|---|----------------|---|--|
| PRODUCT | SOURCE/WATTAGE | VOLTAGE | DIFFUSER | FINISH | OPTIONS |
| Thorpe LED | L25.0 - 25.0 Watt (72) LED Array | 120V - 120V 277V - 277V (50 / 60Hz) | Not Applicable | SM - Matte Silver (Standard) TB - Textured Black AC - Antique Copper AS - Antique Silver BT - Bronze Mist CP - Copper SN - Sand SW - Swedish Steel BZ - Textured Bronze TW - Textured White RAL Colors or Custom Match - Consult Factory | 30K - 25.0W Has 1513 Fixture Lumens 35K - 25.0W Has 1560 Fixture Lumens 40K - 25.0W Has 1572 Fixture Lumens See Page 2 For Wattage Specifications |

REPLACEMENT PARTS

PART NO.

White Polycarbonate Diffuser

3022060

NOTES

We reserve the right to revise the design or components of any product due to parts availability or change in UL standards, without assuming any obligation or liability to modify any products previously manufactured, and without notice.

ARRA 2009



BUY AMERICA ACT



US Compliant



| |
|--------------|
| PROJECT : |
| TYPE : |
| ORDERING # : |
| COMMENTS : |

| PRODUCT | SOURCE/WATTAGE | 30K SPECIFICATIONS | 35K SPECIFICATIONS | 40K SPECIFICATIONS |
|-------------------|---|--|--|--|
| Thorpe LED | L25.0 - (72) LED Array - Constant Current @350mA - 25.0 Input Watts 50,000 Hours(L70) | 25.0W LED ARRAY 30K - 3000K Color Temp. - 80 CRI Typ. - 2165 LED Lumens (1513 Fixture Lumens) - Estimated 61 Lumens Per Watt | 25.0W LED ARRAY 35K - 3500K Color Temp. - 80 CRI Typ. - 2233 LED Lumens (1560 Fixture Lumens) - Estimated 62 Lumens Per Watt | 25.0W LED ARRAY 40K - 4000K Color Temp. - 80 CRI Typ. - 2250 LED Lumens (1572 Fixture Lumens) - Estimated 63 Lumens Per Watt |

ARRA 2009



BUY AMERICA ACT



ADA Compliant



Energy Verified



ENERGY STAR