

Project Name: _____ Type: _____ Quantity: _____

Alcon Lighting 10123 Heavy-Gauge Direct and Indirect LED Linear Pendant Light

INTENDED USE

The Heavy-Gauge Direct and Indirect LED Linear Pendant Light is designed for both stand-alone and continuous run applications, delivering energy-efficient illumination with a robust cold-rolled steel construction. Featuring a sleek scoop end cap for a refined, architectural aesthetic, this luminaire is available with either a satin lens or a middle baffle with no lens for versatile lighting options. The uplight provides a broad, even ceiling brightness, ideal for installations 12 to 18 inches from the ceiling. With separate circuits for up and downlight, it offers adjustable lighting control for tailored environments. Perfect for corridors, offices, schools, government buildings, and public spaces.

FEATURES

- Construction:** Heavy gauge cold rolled steel body
- Optical System:** Available with a satin lens or a middle baffle without a lens, offering flexible lighting options. The uplight delivers a wide distribution, ensuring even ceiling brightness, ideal for mounting 12 to 18 inches from the ceiling
- Electrical System:** The unit features independent circuits for up and down lighting, offering versatile adjustment options. It comes equipped with electronic drivers compatible with 120/277V applications and includes standard 0-10V dimming for smooth control. An internal LED driver is housed in a durable metal gear tray for reliable performance.
- Mounting:** Designed for precise mounting on 4-foot and 8-foot centers for a clean, streamlined installation.
- CRI:** 80+
- Voltage:** 120-277V
- Driver:** 0-10V
- Life:** 100,000 Hours
- Listing:** Damp location rated
- Warranty:** 5 years carefree for parts & components (Labor not included).

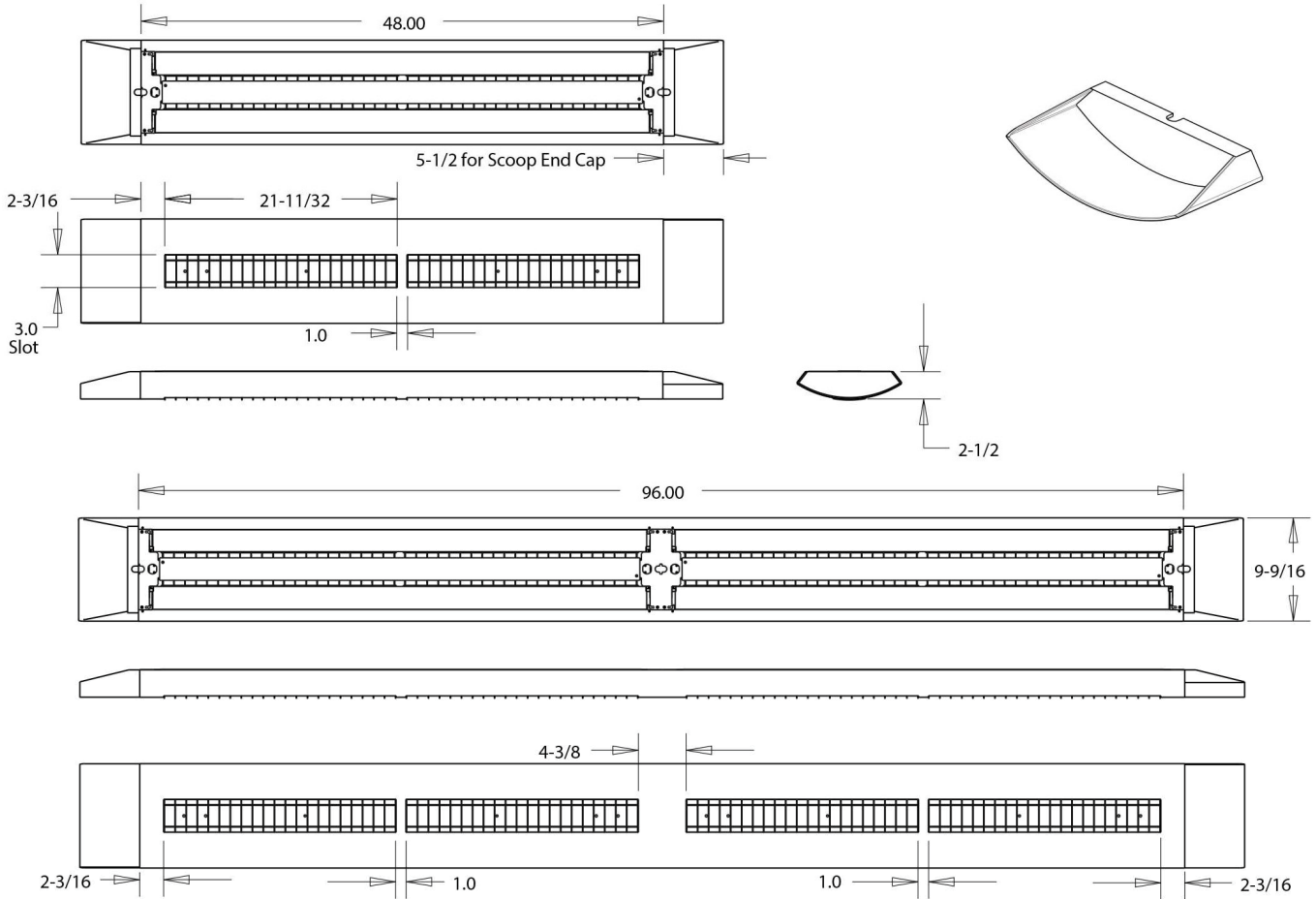


ORDERING INFORMATION Example:

Model	Length	Color Temp	Lumen Output	Lens	Finish	End Cap	Pendant Mounting	Options
10123	4 4 ft.	30K 3000K	5 500 lm/ft	B^{Standard} Middle Baffle,	W White	ECS^{Standard} Scoop	A8^{Standard} 8'	EM14 14W
	8 8 ft.	35K 3500K	7 700 lm/ft	No Lens	B Black	End Cap	Aircraft	Emergency
	CR Continuous Run	40K 4000K	9 900 lm/ft	SL No Baffle	S Silver	ECB Bullnose	ST4 4' Stem	OS Daylight and Occupancy Sensor
		50K 5000K	12 1200 lm/ft	Satin Lens				AB AB Switching
			15 1500 lm/ft					

¹ For direct/indirect applications.

LINE DRAWINGS



POWER FEED

OUTPUT	DELIVERED LUMENS	SYSTEM WATTAGE	CRI	LPW
.5L	500 LM/FT	3.5 W	80	150
.7L	700 LM/FT	4.9 W	80	150
.9L	900 LM/FT	6.3 W	80	150

ENERGY AND PERFORMANCE DATA

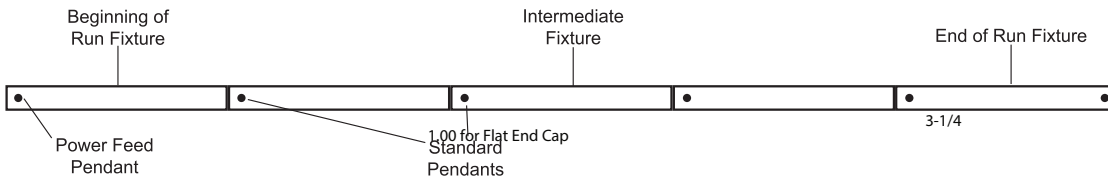
Input Voltage	120/277 VAC
Standard Dimming Control	0-10V
CCT	3000, 3500, 4000, 5000 Kelvin
CRI	82 (minimum)
Life Time Rating	>100,000 hrs at L70
Input Frequency	50/60Hz
Power Factor	>0.
Operating Temp	Low Ambient -20°C/ High Ambient 50°C

ROW CONFIGURATIONS

Advantage would like to double check your Bill of Material upon placement of your order if the number of rows and their individual row lengths are provided on the purchase order as follows:

- Row 1 - 8'
- Row 2 - 8'
- Row 3 - 24'
- Row 4 - 24'

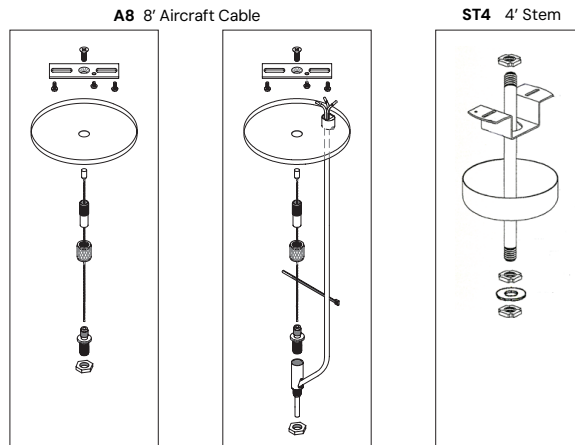
Please provide any additional pertinent information such as additional power drops required mid-row.



Row Length	4'	8'	12'	16'	20'	24'	28'	32'	36'	40'	44'	48'
Fixture Length 4'	1		1		1		1		1		1	
Fixture Length 8'		1	1	2	2	3	3	4	4	5	5	6
Total Pendants Needed	2	2	3	3	4	4	5	5	6	6	7	7

HANGING OPTIONS DETAIL

A standard mounting pendant is needed for each fixture, plus one pendant with power feed capability per continuous row or circuit.



COLOR TEMPERATURE GUIDE

2700K	3000K	3500K	4000K	5000K
WARM WHITE	SOFT WHITE GLOW	NEUTRAL GLOW	COOL WHITE GLOW	DAYLIGHT GLOW
friendly personal intimate	soft warm pleasing	sociable inviting non-threatening	neat clean efficient	bright cool alert
HOMES LIBRARIES RESTAURANTS	HOMES HOTEL ROOMS LOBBIES RETAIL STORES	EXECUTIVE OFFICES RECEPTION AREAS SUPERMARKETS	OFFICES CLASSROOMS MASS MERCHANDISERS SHOWROOMS	GRAPHICS INDUSTRY HOSPITALS GALLERIES BEAUTY SALONS
X	✓	✓	✓	✓