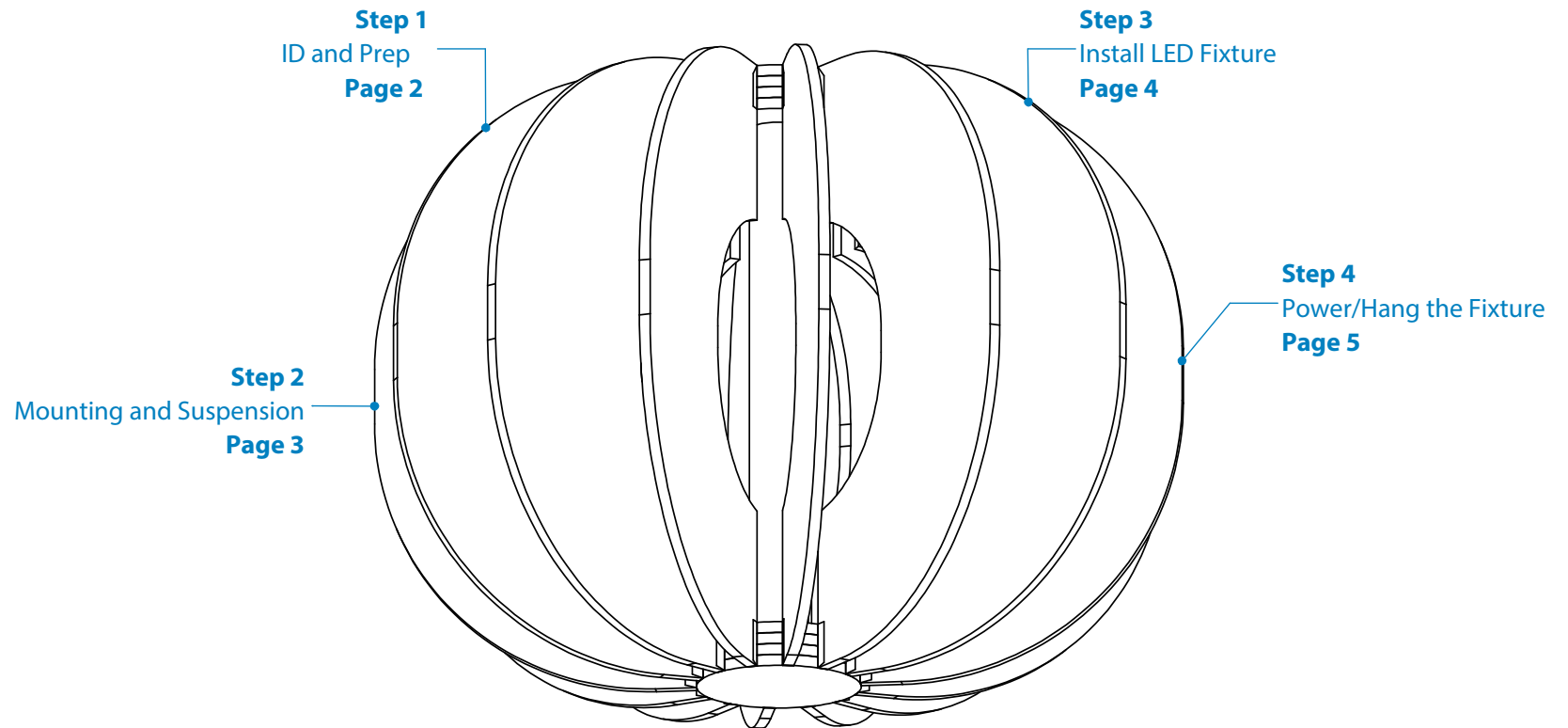


Installation Instructions

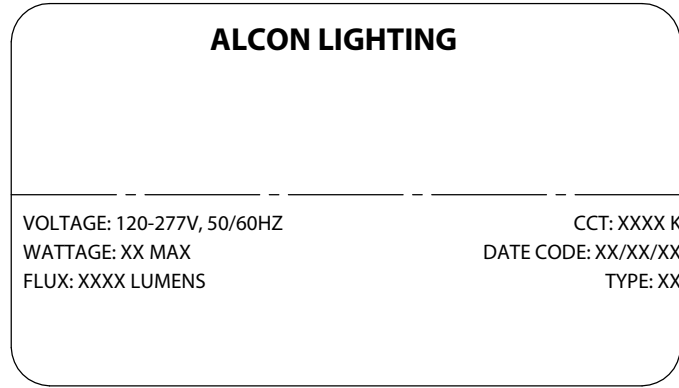
WARNINGS

- This product must be installed in accordance with all applicable codes by a person familiar with the product.
- Each fixture must be **properly supported** during install.
- **DO NOT** join fixtures on the floor prior to lifting, or damage will occur.



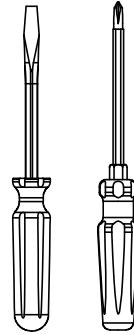
Identification and Preparation

A. Identify Fixtures



- Use labels found on the box and inside the fixture bodies to identify bodies.
- **NOTE:** Locations of labels can vary.
- Remove all fixtures from their boxes. Organize fixtures based on their labels at the install location.

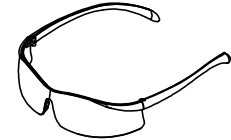
B. Tools Needed



Screwdrivers



Pliers



Safety Glasses

- Always use proper safety equipment when installing fixtures. Tools shown are recommended for standard install. Tools needed may vary based on actual install location conditions.

Kitted Hardware

- Alcon Lighting has provided the items listed here, with their Alcon Lighting part numbers listed. These items can be found in separate boxes shipped with the fixture.
- Ensure all parts are accounted for and set them aside until needed.
- Any additional hardware needed for this installation will be provided by others.

Mounting and Suspension

Drywall or other hard surfaces

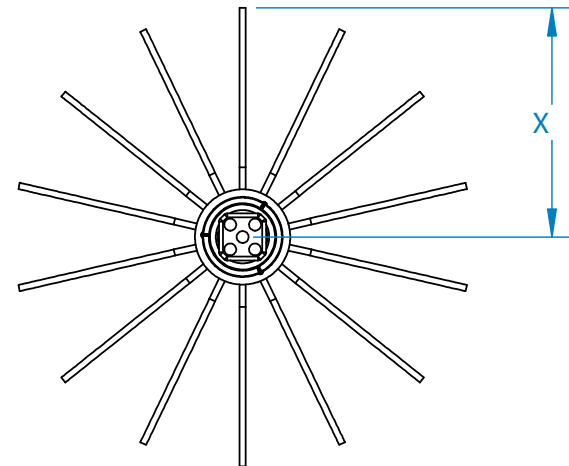
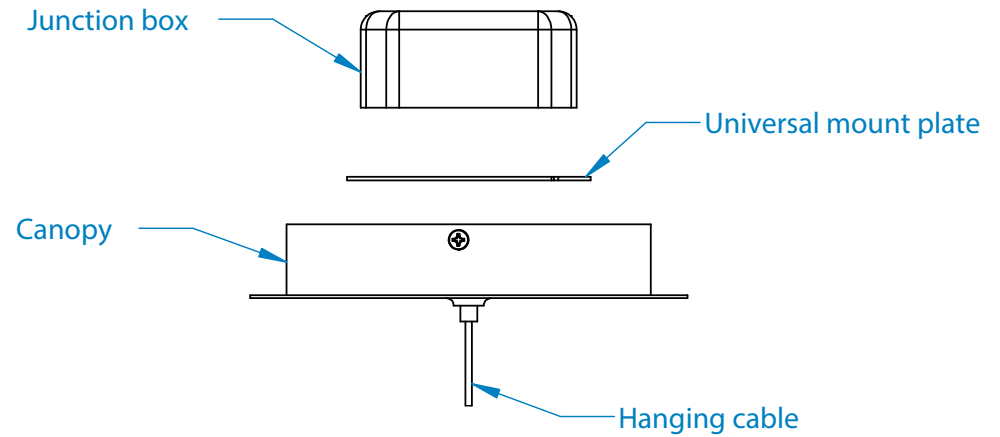
- Install junction box at suspension location.
- Ensure junction box is secure.
- Prepare fixture for mounting.

Other hard surfaces include: wood, sheet metal panels, steel beams, concrete or masonry. Use hardware appropriate for each surface and material type.

Suspension Locations

X = Suspension Dimensions

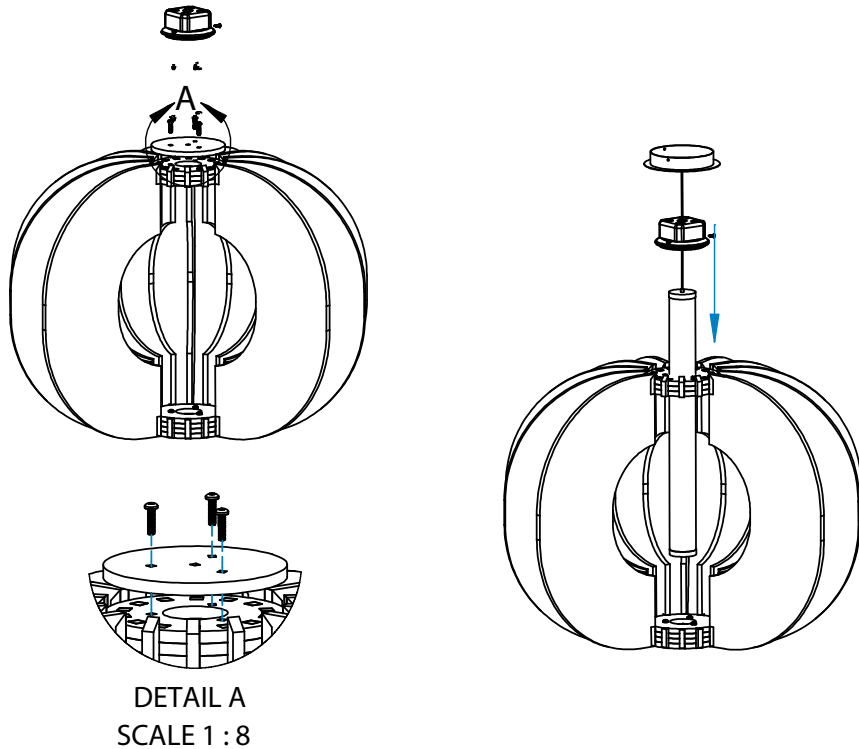
Refer to Assembly Drawings and building plans to determine exact mounting, suspension points, and power feed locations.



Install the LED Fixture

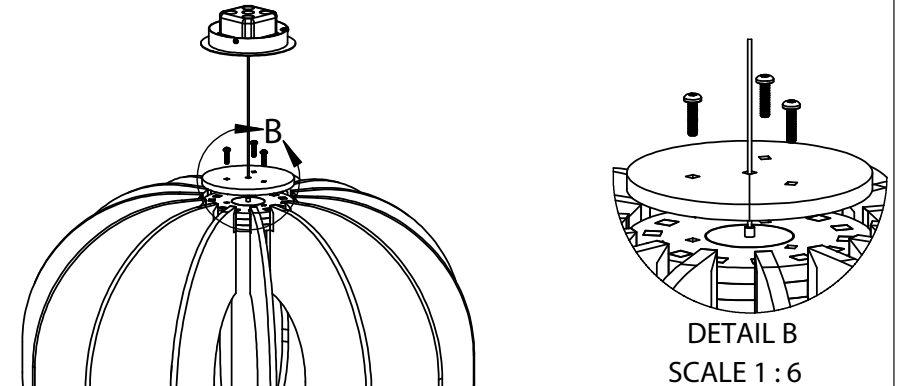
A. Insert Fixture

Some Acoustic Fins Removed for Clarity



- Remove the 3 screws from the top hub assembly and of the fixture pull the top layer acoustic disk.
- Insert the LED fixture to the acoustic material assembly and slide the fixture down until it stops at the bottom hub assembly.

B. Secure Top Hub Assembly



- Once the fixture is installed to the acoustic material assembly, replace the top layer acoustic disk.
- Use the screws removed in the previous sub-step to secure the top hub assembly.

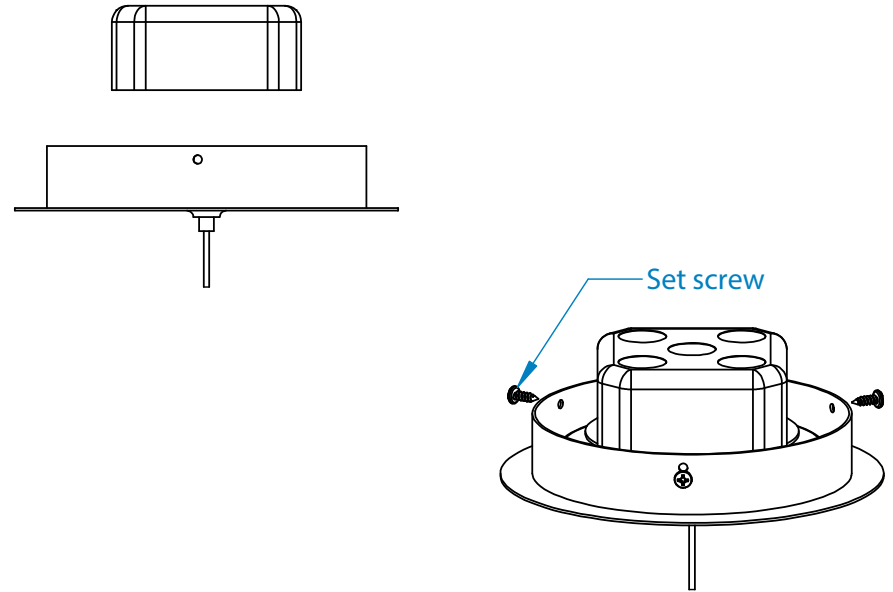
Hang and Power Fixture

A. Connect Fixture Wiring

WIRING LEGEND		
BLACK	HOT	Line Voltage
WHITE	NEUTRAL	Line Voltage
GREEN	GROUND	
GRAY	DIMMING	0-10V DC
VIOLET	DIMMING	0-10V DC

- Wire fixtures to the incoming power supply.
- For dimming option, refer to wiring legend above.
- Use UL approved connectors only. Follow all local, state and national codes.

B. Hang the Fixture



- Install the junction box at desired location.
- Hang the fixture by attaching the universal mount plate to the junction box.
- The provided set screws must be installed above the universal mount plate, this will help hold the fixture in place.