

Project Name: _____ Type: _____ Quantity: _____

INTENDED USE

This outdoor LED wall sconce combines modern style and functionality, ideal for residential, commercial, and hospitality exteriors. With a black powder-coated rectangular frame, clear glass, and frosted edges, it's available in 18" and 24" sizes. The integrated LED ensures energy efficiency with adjustable color temperature and dimming options, offering tailored, stylish illumination that enhances any outdoor setting.

FEATURES

- Construction:** Aluminum housing
- Dimming Driver:** 0-10V (120-277V) or TRIAC/ELV (120V)
- Emergency Battery:** Internal 90 min.
- Color Temperature:** 27/30/35/40/50K selectable switch
- Wattage:** 20W (18"), 26W (24")
- Lumens:** 1000 lm (18"), 1400 lm (24")
- Voltage:** 120-277VAC, 60Hz
- Minimum Starting Temperature:** -4° F
- CRI:** 90+
- Life:** 50,000 Hours
- Warranty:** 5 Years carefree for parts & components (Labor not included)
- Listings:** cETLus listed for wet locations. Title 24-JA8 compliant



Alcon Lighting 11258 Architectural Outdoor LED Rectangular Wall Sconce

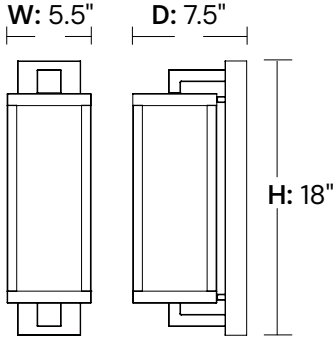


ORDERING INFORMATION Example:

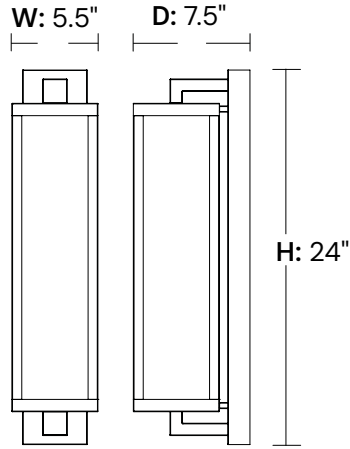
Model	Size	Options
11258	18 18 Inches 24 24 Inches	EM8 8W Emergency Battery

LINE DRAWINGS & DIMENSIONS

11258-18



11258-24



COMPATIBLE DIMMERS

	ALCON LIGHTING	LUTRON	LEVITON®	legrand®
O-10 V	2100 2101 2102	DVSTV		
MLV		AYLV-600P		RH703PTUTCCCV4
ELV		DVELV-300P SELV-300P MAELV-600P		RH703PTUTCCCV4
TRIAC		DVCL-153P DVWCL-153PH-WH CTCL-153P	6631 6672 6674 6615	RH703PTUTCCCV4 WSCL450TCCCV4 RHCL453PTCCCV6

COLOR TEMPERATURE GUIDE

