

Project Name: _____ Type: _____ Quantity: _____

INTENDED USE

Alcon Lighting's Narrow Indoor and Outdoor Architectural Flexible Linear LED Strip Light offers high-lumen, energy-efficient illumination encased in a durable, UV-resistant silicone housing. This flexible strip bends smoothly around vertical and horizontal contours, creating a continuous line of light ideal for architectural accents in both indoor and outdoor settings. Fully encapsulated and UV-protected, it includes factory-sealed connectors for secure installation, making it perfect for commercial and residential applications.



FEATURES

- Construction:** Silicone
- CRI:** 90+
- Voltage:** 24V DC Constant Voltage
- External Driver:** 0-10V, MLV, ELV, and TRIAC
- Power Consumption:** 5.1 watt per ft.
- Lumen Output:** 554 lm/ft (vertical bend), 462 lm/ft (horizontal bend)
- Max run:** Continuous run length up to 23 ft.
- Operating Temperature:** -4°F ~140°F
- Storage Temperature:** -40°F ~176°F
- Humidity:** 0-95% Non Condensing
- Life:** 50,000 Hours
- Listing:** UL Listed, UV Resistant
- Warranty:** 5 years carefree for parts & components (Labor not included).



CCT	Lumens per foot	
	Vertical Bend	Horizontal Bend
2200K	456	380
2700K	494	412
3000K	494	412
3500K	533	444
4000K	533	444
5000K	534	462

ORDERING INFORMATION Example:

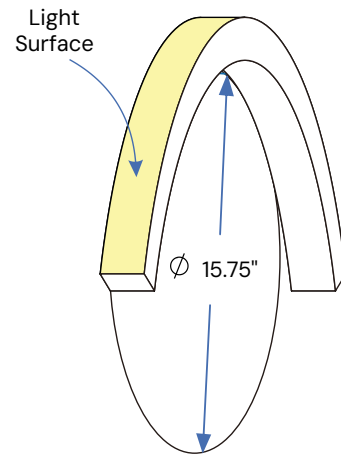
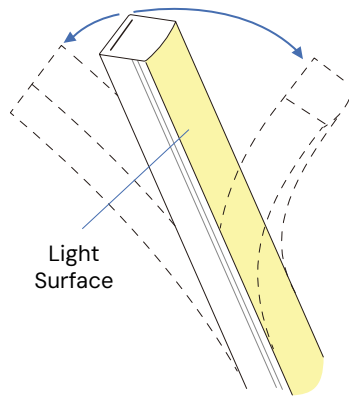
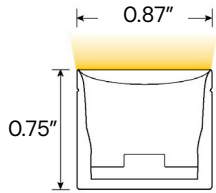
Model	Bend Direction	Color Temp	Length	Power Feed	Power Feed Cord Length	Mounting Channels
11261	V ^{Standard}	Vertical	CODE Please refer to pages 5 for exact lengths with corresponding ordering codes	8B	3 ^{Standard} 3 in. 10 10 in. 15 15 in. 30 30 in. 50 50 in.	2AL
	H	Horizontal		8L		39AL
				8R		39AF
				8E		
		22K 2200K				
		27K 2700K				
		30K 3000K				
		35K 3500K				
		40K 4000K				
		50K 5000K				

Alcon Lighting 11261 Narrow Indoor and Outdoor Architectural Flexible Linear LED Strip Light

DIMENSIONS & BEND DIRECTION

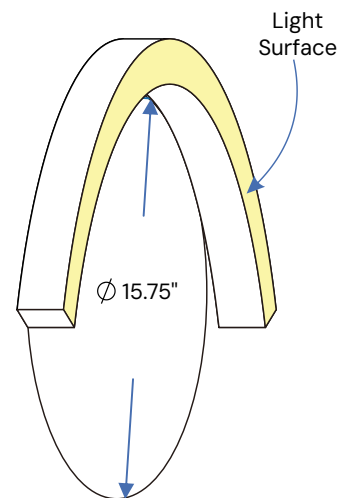
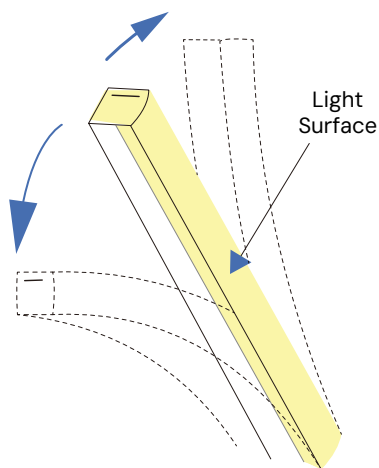
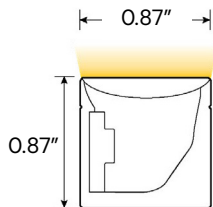
Vertical Bend (Standard)

V



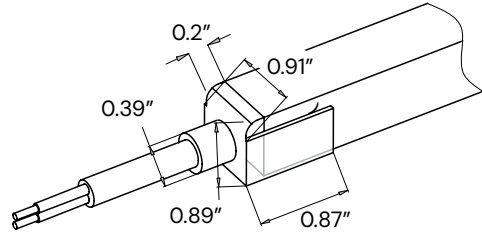
Horizontal Bend

H

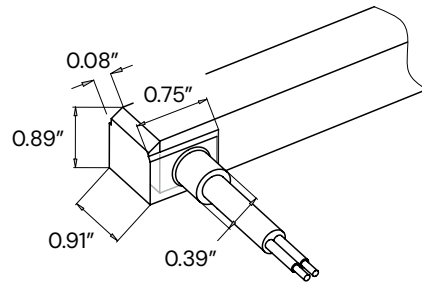
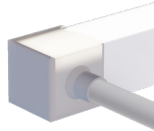


POWER FEED

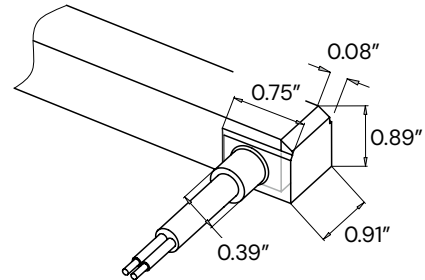
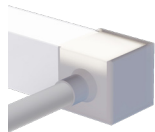
IP68 Bottom
IP68B



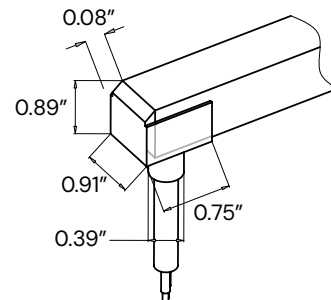
IP68 Left
IP68L



IP68 Right
IP68R



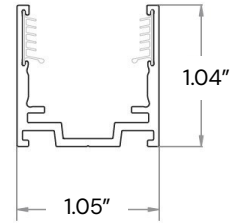
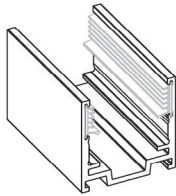
IP68 End
IP68E



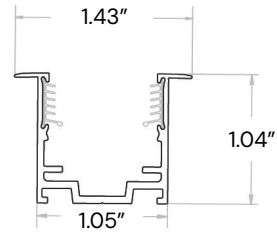
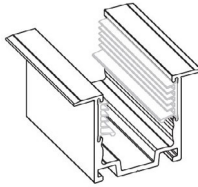
MOUNTING ACCESSORIES

Clip-on Aluminum Channel (self-locking, no glue required)

2AL
39AL

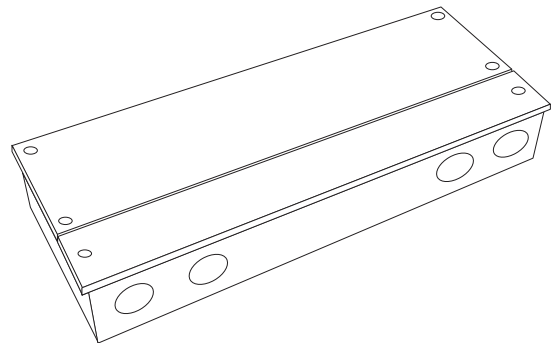


Flanged Aluminum Profile
39AF



EXTERNAL DRIVER

Driver	Dimensions
4N1-30W-24V	6.50" x 3.72" x 1.57"
4N1-60W-24V	7.40" x 3.72" x 1.57"
4N1-96W-24V	8.66" x 3.72" x 1.57"
4N1-150W-24V	10.24" x 4.13" x 1.77"
4N1-200W-24V	10.24" x 4.13" x 1.77"
4N1-300W-24V	10.94" x 4.33" x 1.77"



LENGTH

Cuts are made every 2.19". Please refer to table below to determine actual lengths once LED is cut versus actual lengths required or specified.

Total Length Calculation = order code length + end feed option length

Example: 110.1" total length = code 50 + IP68 side feed (109.5" + 0.60")

Power feed options: End feed 0.60" | Side feed 0.20" | Bottom feed 0.20"

Code	Inches	Code	Inches	Code	Inches
1	2.19	45	98.55	89	194.91
2	4.38	46	100.74	90	197.1
3	6.57	47	102.93	91	199.29
4	8.76	48	105.12	92	201.48
5	10.95	49	107.31	93	203.67
6	13.14	50	109.5	94	205.86
7	15.33	51	111.69	95	208.05
8	17.52	52	113.88	96	210.24
9	19.71	53	116.07	97	212.43
10	21.9	54	118.26	98	214.62
11	24.09	55	120.45	99	216.81
12	26.28	56	122.64	100	219
13	28.47	57	124.83	101	221.19
14	30.66	58	127.02	102	223.38
15	32.85	59	129.21	103	225.57
16	35.04	60	131.4	104	227.76
17	37.23	61	133.59	105	229.95
18	39.42	62	135.78	106	232.14
19	41.61	63	137.97	107	234.33
20	43.8	64	140.16	108	236.52
21	45.99	65	142.35	109	238.71
22	48.18	66	144.54	110	240.9
23	50.37	67	146.73	111	243.09
24	52.56	68	148.92	112	245.28
25	54.75	69	151.11	113	247.47
26	56.94	70	153.3	114	249.66
27	59.13	71	155.49	115	251.85
28	61.32	72	157.68	116	254.04
29	63.51	73	159.87	117	256.23
30	65.7	74	162.06	118	258.42
31	67.89	75	164.25	119	260.61
32	70.08	76	166.44	120	262.8
33	72.27	77	168.63	121	264.99
34	74.46	78	170.82	122	267.18
35	76.65	79	173.01	123	269.37
36	78.84	80	175.2	124	271.56
37	81.03	81	177.39	125	273.75
38	83.22	82	179.58	126	275.94
39	85.41	83	181.77		
40	87.6	84	183.96		
41	89.79	85	186.15		
42	91.98	86	188.34		
43	94.17	87	190.53		
44	96.36	88	192.72		

COMPATIBLE DIMMERS

			
0-10 V	2100 2101 2102	Diva DTVV	IP-710-DL

COLOR TEMPERATURE GUIDE



<p>2700K</p> <p>WARM WHITE</p> <p>friendly personal intimate</p> <p>HOMES LIBRARIES RESTAURANTS</p> <p>✓</p>	<p>3000K</p> <p>SOFT WHITE GLOW</p> <p>soft warm pleasing</p> <p>HOMES HOTEL ROOMS LOBBIES RETAIL STORES</p> <p>✓</p>	<p>3500K</p> <p>NEUTRAL GLOW</p> <p>sociable inviting non-threatening</p> <p>EXECUTIVE OFFICES RECEPTION AREAS SUPERMARKETS</p> <p>✓</p>	<p>4000K</p> <p>COOL WHITE GLOW</p> <p>neat clean efficient</p> <p>OFFICES CLASSROOMS MASS MERCHANDISERS SHOWROOMS</p> <p>✓</p>	<p>5000K</p> <p>DAYLIGHT GLOW</p> <p>bright cool alert</p> <p>GRAPHICS INDUSTRY HOSPITALS GALLERIES BEAUTY SALONS</p> <p>✓</p>
--	---	--	---	--