



BEFORE YOU BEGIN

Read and follow all safety instructions



WARNING

RISK OF FIRE, EXPLOSION AND ELECTRIC SHOCK

- This product should be installed, inspected, and maintained by a qualified electrician only, in accordance with the NEC (National Electric Code) and all local codes.
- Turn off electrical power before inspection, installation or removal.
- Use only UL (or other NRTL) approved wire for input/output connections.
- Make sure LEDs and drivers are cool to touch when performing maintenance.
Make sure the supply voltage is the same as the rated voltage of the luminaire.
- Do not install in a hazardous atmosphere, except where the ambient temperature does not exceed the rated operating temperature of the fixture.
- Keep tightly closed when in operation



Prepare Electrical Wiring



Electrical Requirements

Must check if the local voltage range is correspond with the working voltage of the fixture. Use min. 75°C supply.



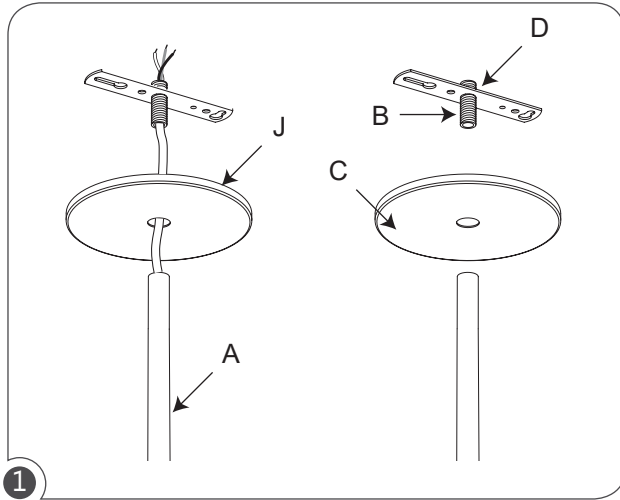
Grounding Instructions

The grounding and bonding of the overall system shall be done in accordance with NEC Article 600 and local codes.



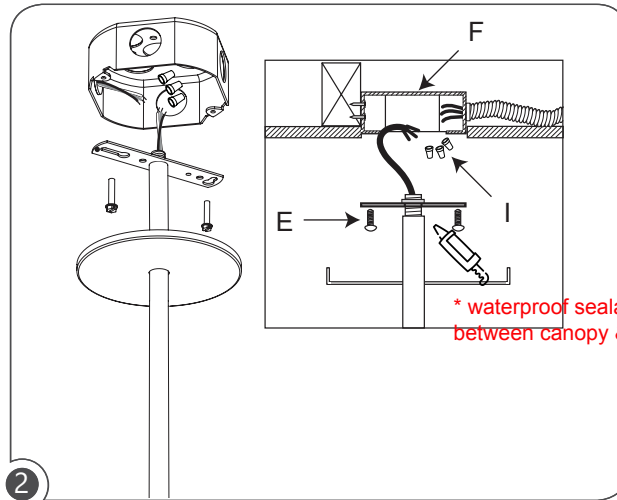
Follow all applicable safety procedures and use Personal Protective Equipment such as hardhats, safety glasses, reflective vest, electrical safety gloves, fall protection equipment and safety toe boots during the installation, operation, and maintenance of the luminaire.

INDIVIDUAL INSTALLATION



1

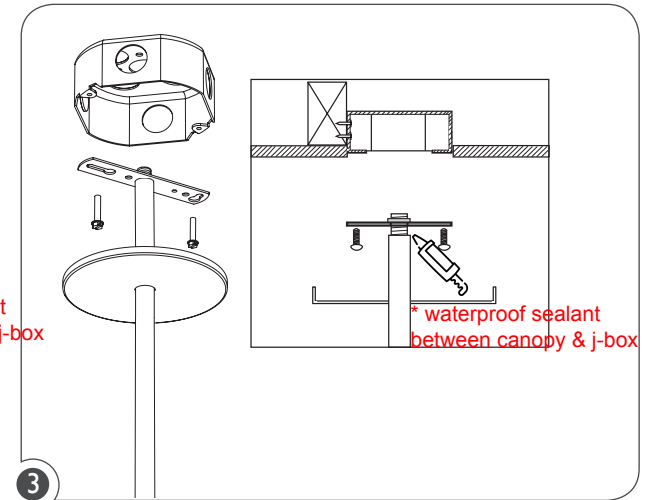
Run power cable through stem(A). Slide the trim ring(J) and then the canopy(C) onto the stem and leave loose. Screw the j-box bracket(D) with the threaded stud(B) onto the stem.



2

Align the power side of fixture to the j-box(F) and rise to ceiling and secure with screws(E) the j-box bracket to the junction box. Make electrical connection with wire nuts(I). Slide the canopy and secure in place with the trim ring.

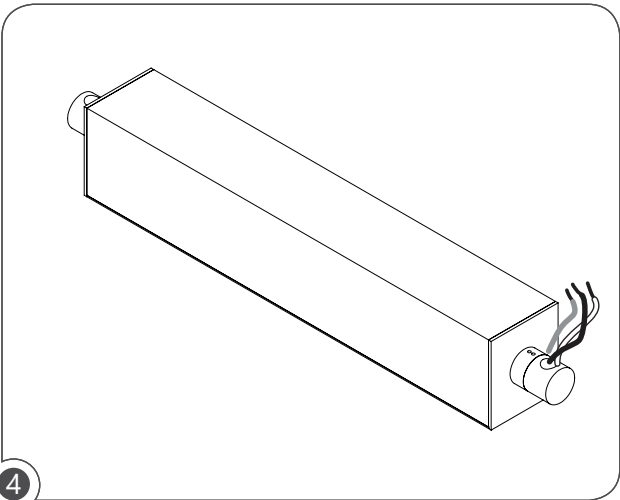
* waterproof sealant between canopy & j-box



3

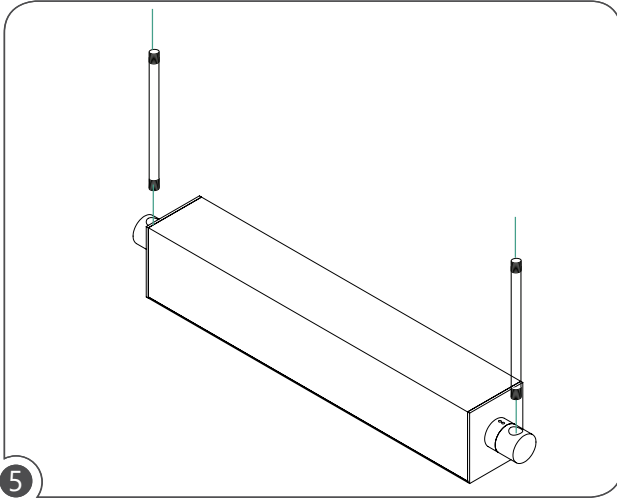
Align the non power side, raise the fixture to the ceiling and secure with screws the j-box bracket to the junction box. Slide the canopy and secure in place with the trim ring.

* waterproof sealant between canopy & j-box



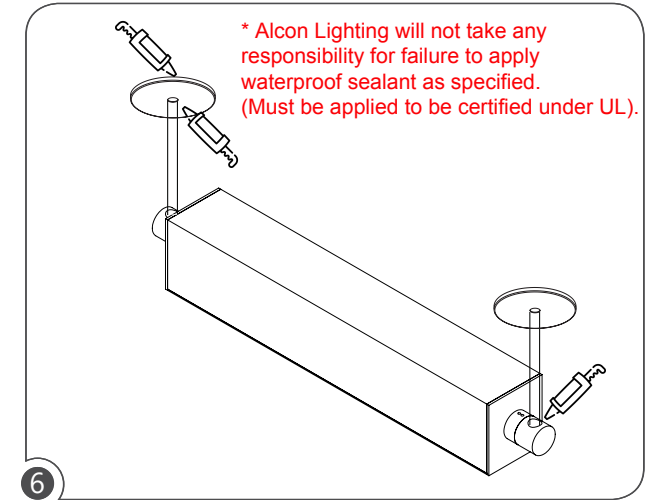
4

One end will have exposed wires, to be the powerfeed side.



5

Insert 1/2" NPT stem (by others or purchased with -STxx option).



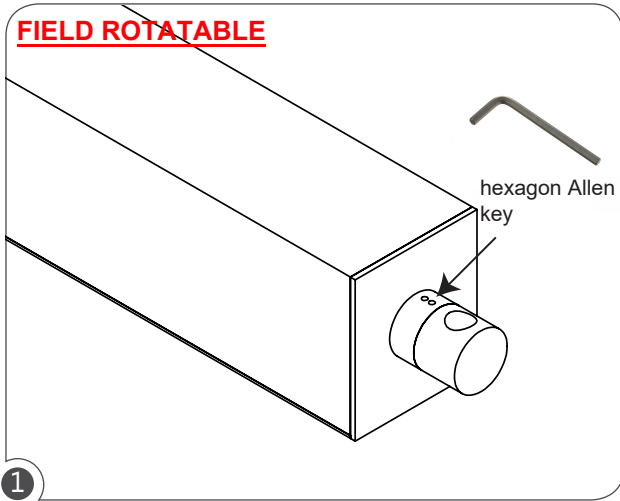
6

Waterproof sealant must be applied between canopy & j-box, canopy & stem, and stem & end cap.

* Alcon Lighting will not take any responsibility for failure to apply waterproof sealant as specified. (Must be applied to be certified under UL).

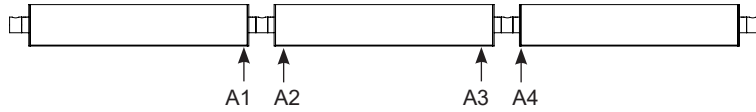
FIELD ADJUSTABLE FEATURE

FIELD ROTATABLE



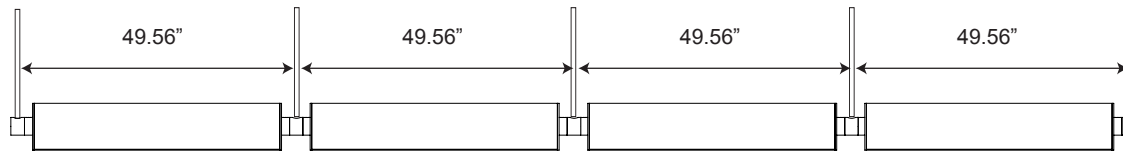
Use hexagon Allen key to loose and rotate the luminaire at desired angle, and lock to fix.

CONTINUOUS RUN INSTALLATION

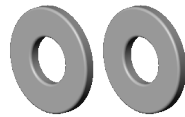


Continuous Row

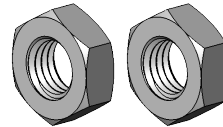
Align continuous row fixtures in numerical order under the same alphabet family.



provided (per joint):



Washer (2pcs)



Hexagon
locknuts (2pcs)