

PENDANT SURFACE INSTALLATION INSTRUCTIONS



BEFORE YOU BEGIN

Read and follow all safety instructions



WARNING

RISK OF FIRE, EXPLOSION AND ELECTRIC SHOCK

- This product should be installed, inspected, and maintained by a qualified electrician only, in accordance with the NEC (National Electric Code) and all local codes.
- Turn off electrical power before inspection, installation or removal.
- Use only UL (or other NRTL) approved wire for input/output connections.
- Make sure LEDs and drivers are cool to touch when performing maintenance.
Make sure the supply voltage is the same as the rated voltage of the luminaire.
- Do not install in a hazardous atmosphere, except where the ambient temperature does not exceed the rated operating temperature of the fixture.
- Keep tightly closed when in operation



Prepare Electrical Wiring



Electrical Requirements

Must check if the local voltage range is correspond with the working voltage of the fixture. Use min. 75°C supply.



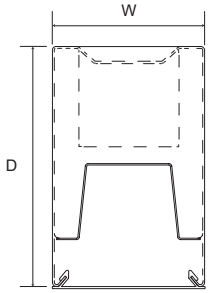
Grounding Instructions

The grounding and bonding of the overall system shall be done in accordance with NEC Article 600 and local codes.



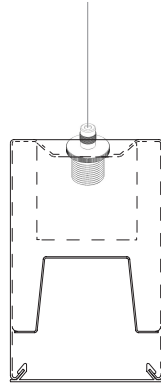
Follow all applicable safety procedures and use Personal Protective Equipment such as hardhats, safety glasses, reflective vest, electrical safety gloves, fall protection equipment and safety toe boots during the installation, operation, and maintenance of the luminaire.

PENDANT SURFACE INSTALLATION INSTRUCTIONS

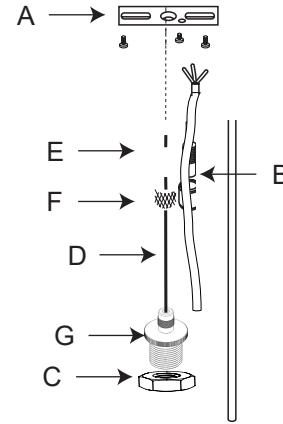


Width: 2.5 (64)
Depth: 4 (101)

All dimensions are in inches (millimeters).



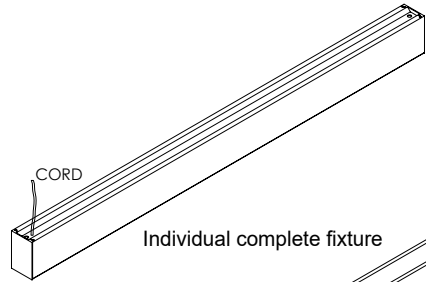
Cable



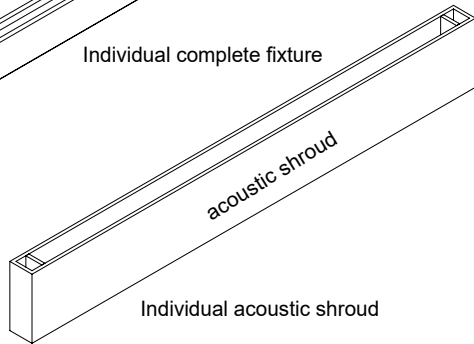
● PART LIST

- A: Canopy bracket
- B: Power cord
- C: Lock nut
- D: Aircraft cable
- E: Threaded stud
- F: Cable mounting nut
- G: Bottom exit gripper (pre-installed)
- H: T-bar clips (provided with X1, X4 mount).

INDIVIDUAL



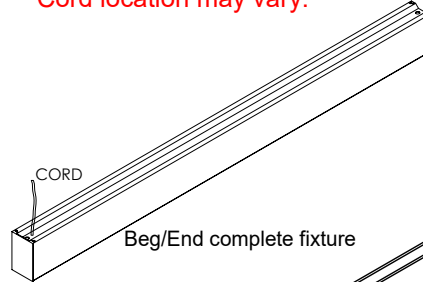
Individual complete fixture



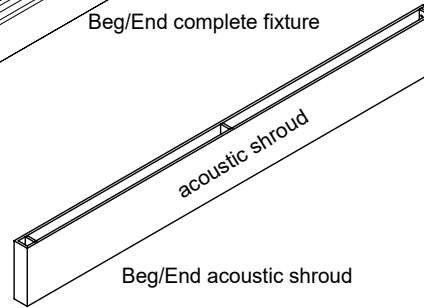
Individual acoustic shroud

CONTINUOUS RUN

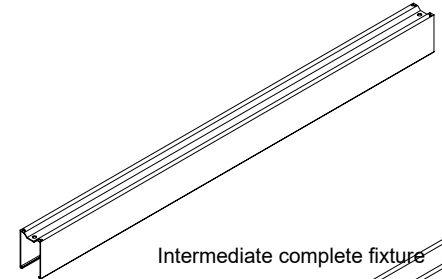
*Cord location may vary.



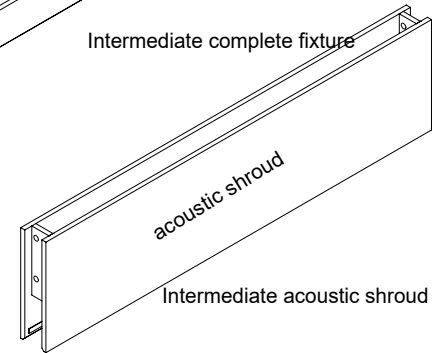
Beg/End complete fixture



Beg/End acoustic shroud

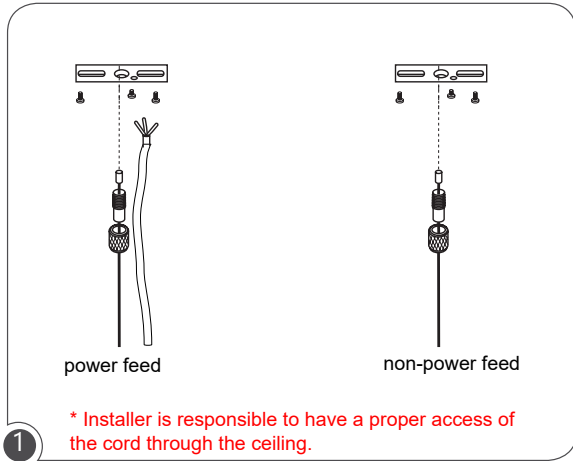


Intermediate complete fixture



Intermediate acoustic shroud

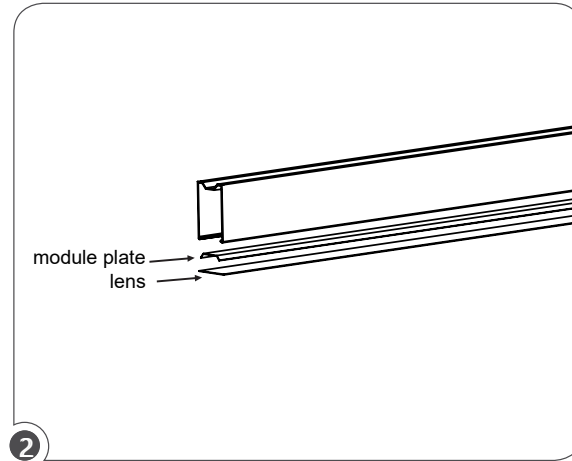
INDIVIDUAL FIXTURE



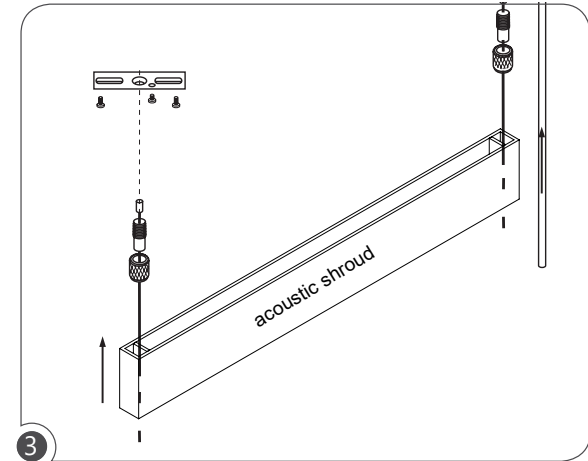
1 * Installer is responsible to have a proper access of the cord through the ceiling.

Install the canopy bracket onto J-box, secure the canopy plate, run the aircraft cable down. Refer to the last page for the mounting distance.

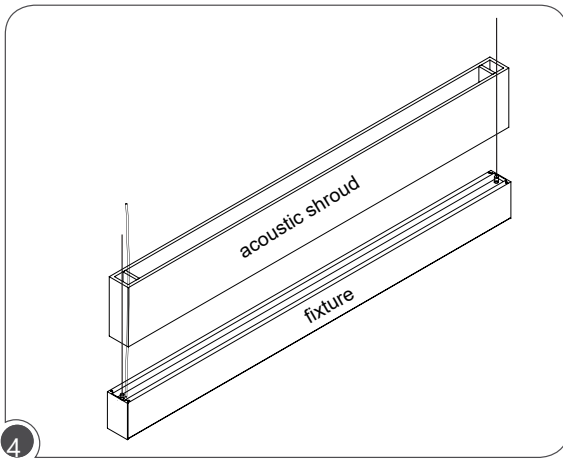
* Cord is provided +1ft of the NRC total height.



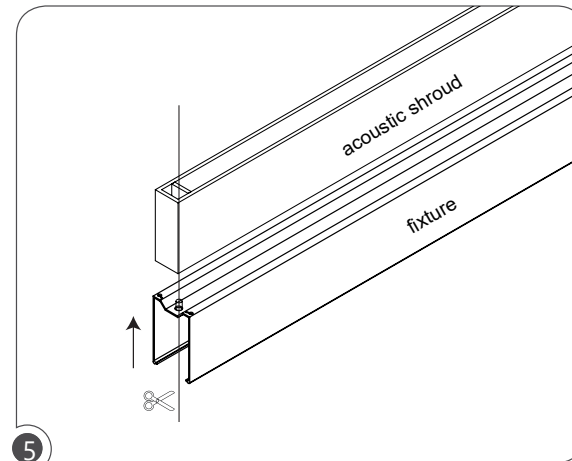
2 Remove lens and module plate from the fixture.



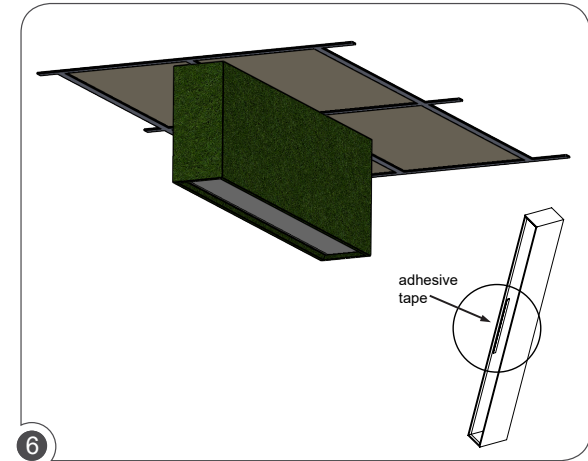
3 Insert the acoustic shroud up first to the ceiling through the aircraft cable.



4 Run the aircraft cable down the shroud and to the fixture on both end, lock through the pre-installed grippers.



5 Exit the aircraft cable through the gripper. Pull up the fixture all the way to the ceiling and cut the extra cable.



6 Adhesive taps are pre-installed inside the acoustic shroud. Option to peel and attach to the body of the fixture for extra security.

CONTINUOUS RUN

TOOL(S) NEEDED:

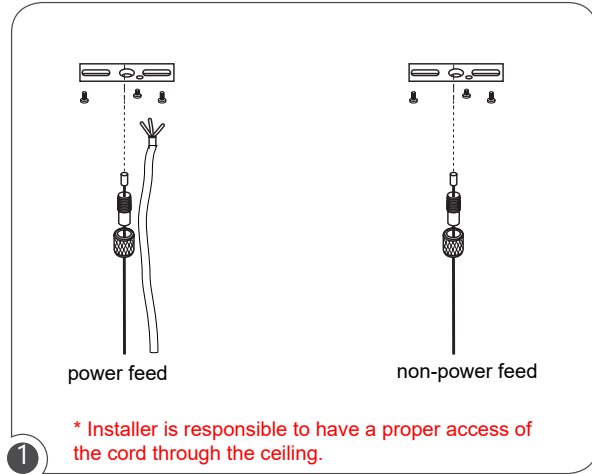
Option 1) Cordless drill and an elbow or L-shape adapter with Philips Insert Bit extension.



Option 2) Flexible Screwdriver with Philips Insert Bit.



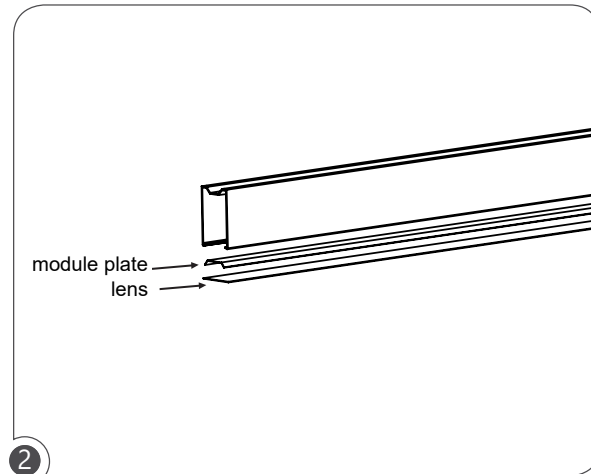
CONTINUOUS RUN



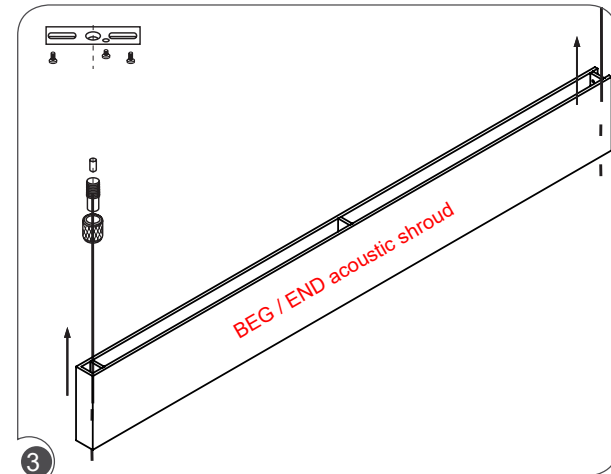
* Installer is responsible to have a proper access of the cord through the ceiling.

1 Install the canopy bracket onto J-box, secure the canopy plate, run the aircraft cable down. Refer to the last page for the mounting distance.

* Cord is provided +1ft of the NRC total height.

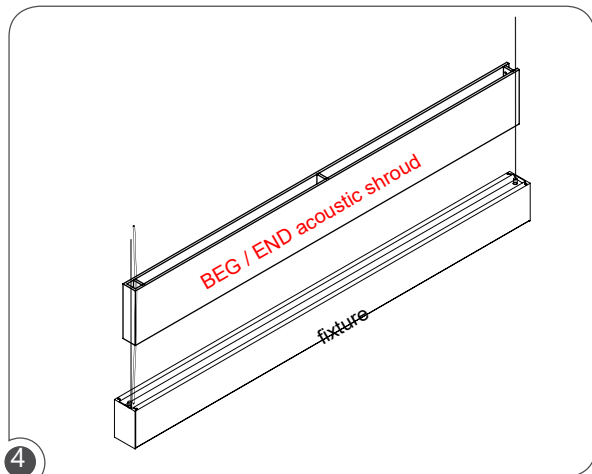


2 Have all the fixtures with module plate and lens removed.



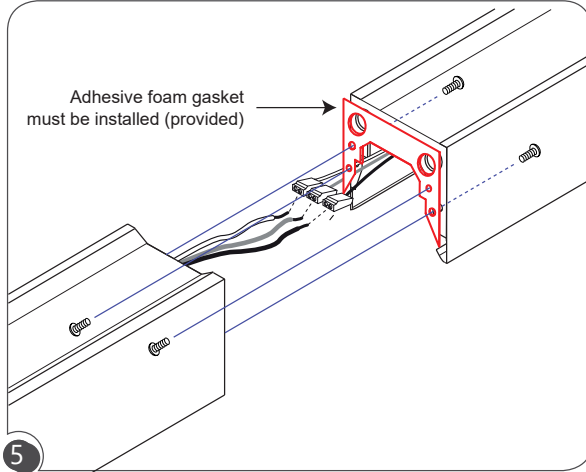
3 Begin with the Beginning acoustic shroud and insert up to the ceiling through the aircraft cable on the beginning side of the shroud. Beginning / End shroud has one closed end and one open end. Open end is to feed and meet the next run.

* Temporarily keep and hold the acoustic shroud up in the air until the reciprocal fixture is installed underneath.



4 Run the aircraft cable down the shroud and to the fixture on both end, lock through the pre-installed grippers.

CONTINUOUS RUN

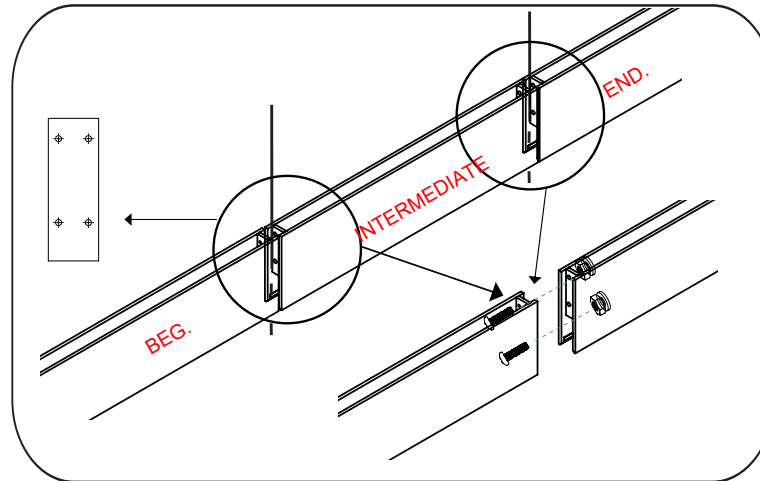


- 1) Make wiring connection from each fixture power supply wires together (male and female wago connectors)
- 2) Align fixtures and screw together with 4 screws.
- 3) Reinstall module plate and lens.

* Lens can be installed last if built with 1pc long lens for multiple fixtures. For example, 1pc 8ft lens with (2) 4ft fixtures.

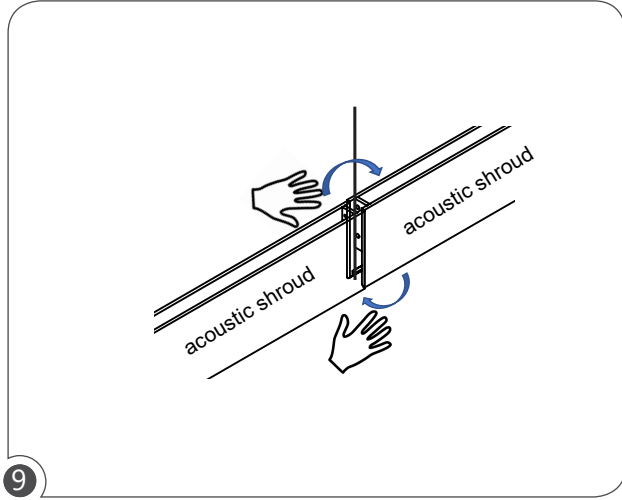


Repeat step #5 to join and connect all the Intermediate runs.
Then install the End acoustic shroud and fixture by following the step #3~4.



- 7) Insert all of the Intermediate acoustic shrouds between the aircraft cables (Between shrouds have open ends and can easily squeeze in between the cables. Use provided hardware (2) 1/4-20 bolts & (2) 1/4 nuts and washers per joint and lock them diagonally using any 4 pre-holes.

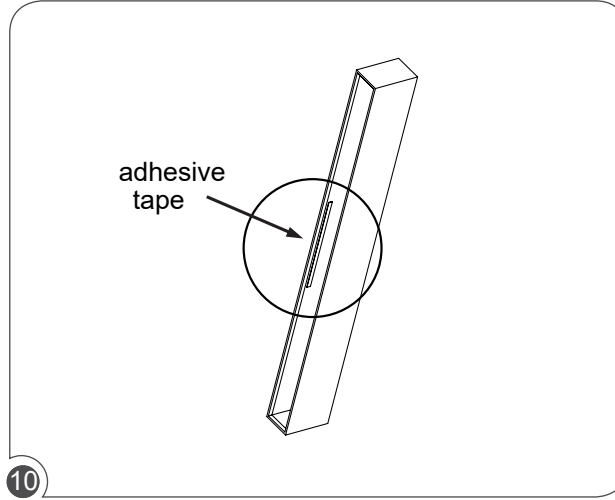
CONTINUOUS RUN



9

Maneuver around the bolts & nuts as well as the acoustic shrouds for alignment.

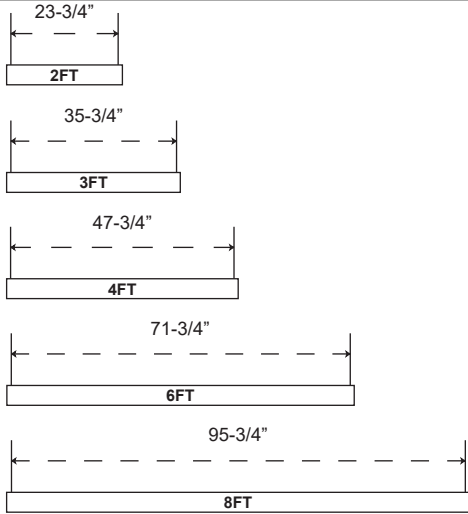
*The acoustic shroud may be slightly bigger than the fixture and this is due to +/- tolerance.



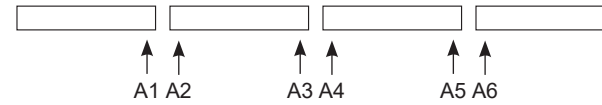
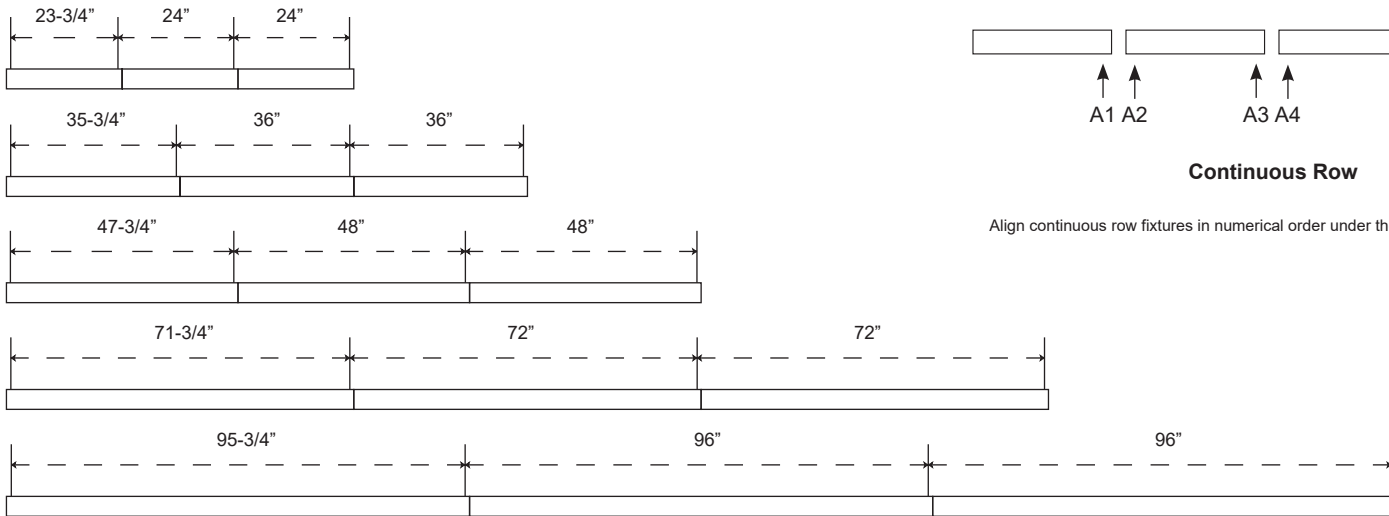
10

Adhesive taps are pre-installed inside the acoustic shroud.
Option to peel and attach to the body of the fixture for extra security.

INDIVIDUAL

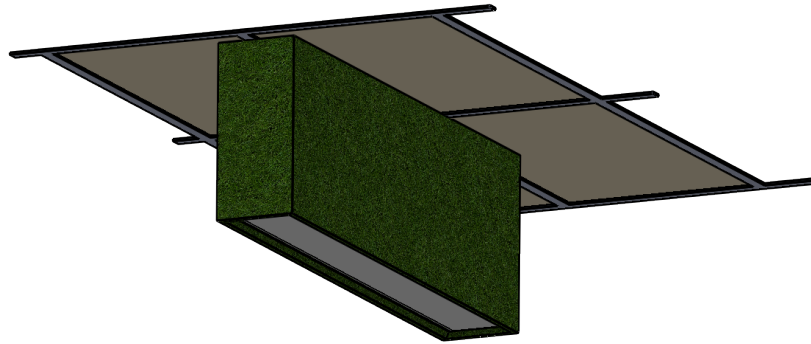


CONTINUOUS



Continuous Row

Align continuous row fixtures in numerical order under the same alphabet family.



1. Remove lens and module plate to access inside.
2. Unscrew to loosen the lock-nuts (C) on both ends of the grippers to take down the fixture.
3. Perform any maintenance necessary within the fixture and/or acoustic cleaning, and re-install back.