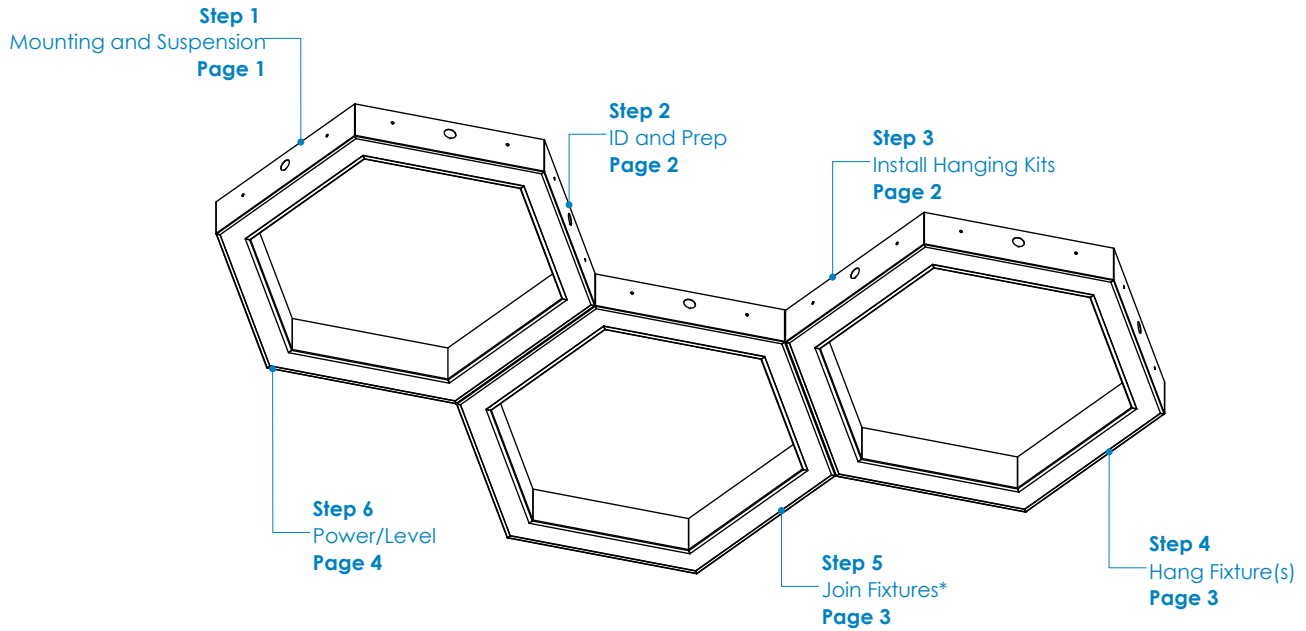


INSTALLATION INSTRUCTIONS

WARNINGS

- This product must be installed in accordance with all applicable codes by a person familiar with the product.
- Each fixture must be **properly supported** during install.
- **DO NOT** join fixtures on the floor prior to lifting, or damage will occur.



Step 1 Mounting and Suspension

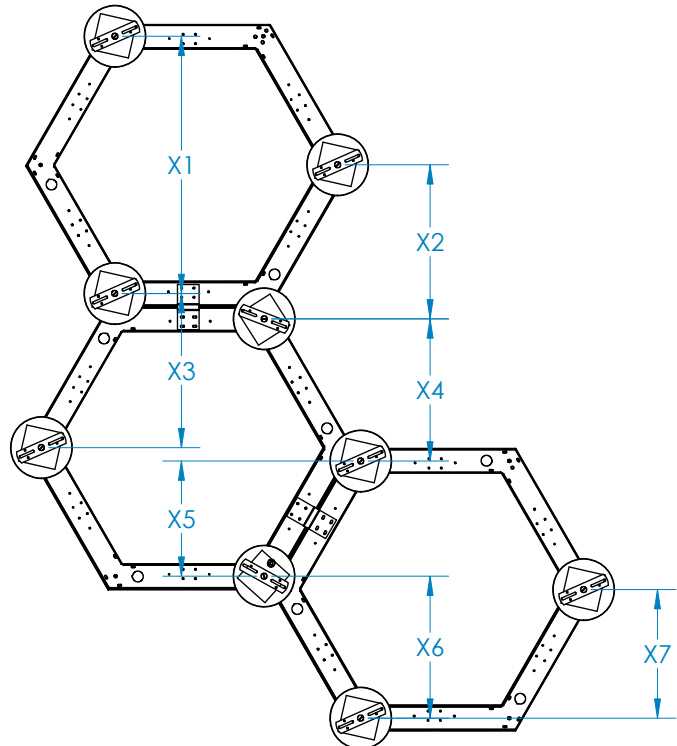
- Install hanging kits at suspension locations.
- Ensure hanging kits are secure.
- Prepare fixture for mounting.

Other hard surfaces include: wood, sheet metal panels, steel beams, concrete or masonry. Use hardware appropriate for each surface and material type.

Suspension Locations

X = Suspension Dimensions

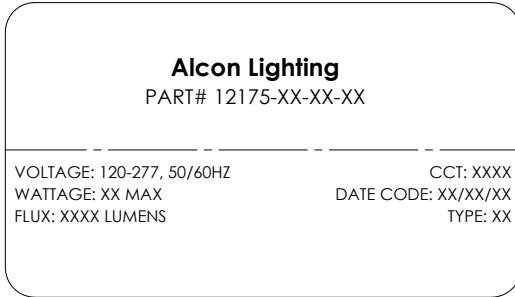
Refer to Assembly Drawings and building plans to determine exact mounting, suspension points, and power feed locations.



INSTALLATION INSTRUCTIONS

Step 2 ID and Prep

A. Identify Fixtures

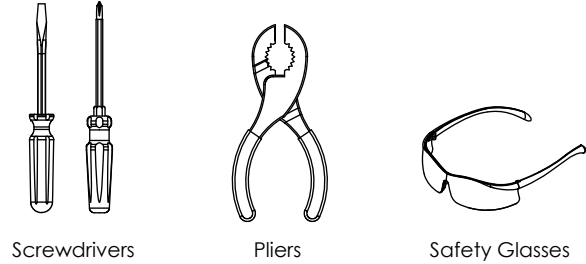


- Use labels found on the box and inside the fixture bodies to identify bodies.
- **NOTE:** Locations of labels can vary.
- Remove all fixtures from their boxes.
- Organize fixtures based on their labels at the install location.

Kitted Hardware

- Ensure all parts are accounted for and set them aside until needed.
- Any additional hardware needed for this installation will be provided by others.

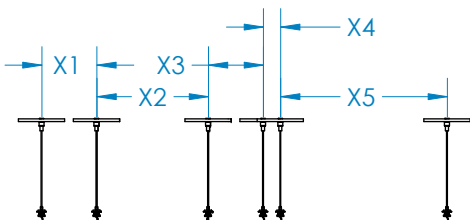
B. Tools Needed



- Always use proper safety equipment when installing fixtures.
- Tools shown are recommended for standard install. Tools needed may vary based on actual install location conditions.

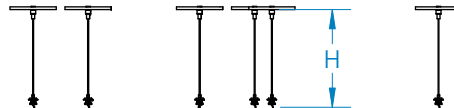
Step 3 Install Hanging Kits

A. Install to Ceiling



- Install the hanging kits to the ceiling at the desired mounting locations.
- Ensure that hanging kits are properly secured.
- Refer to hanging kit installation guide for more information.

B. Adjust Length

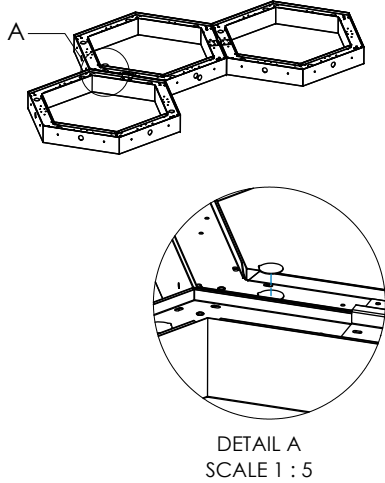


- Adjust hanging cables to desired length, cables can be further adjusted after fixture is installed.
- Refer to hanging kit installation guide for more information.

INSTALLATION INSTRUCTIONS

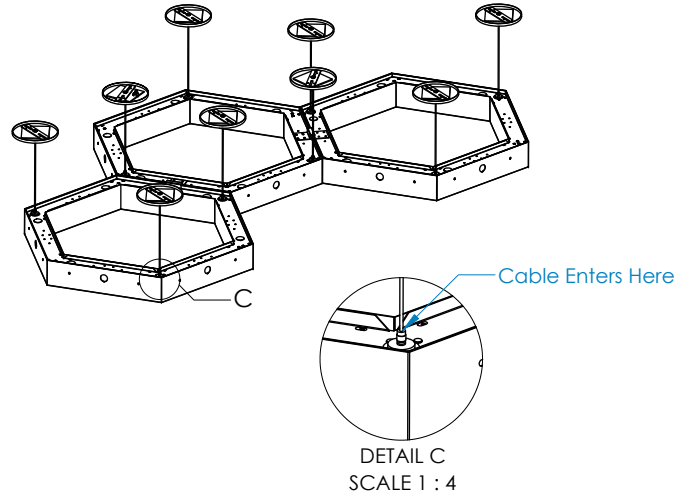
Step 4 Hang Fixture(s)

A. Remove Knockouts



- Use a flat head screwdriver, gently pry on the 7/8" knockout on top of the fixture to expose power cable.

B. Insert Cable to Cable Clutch

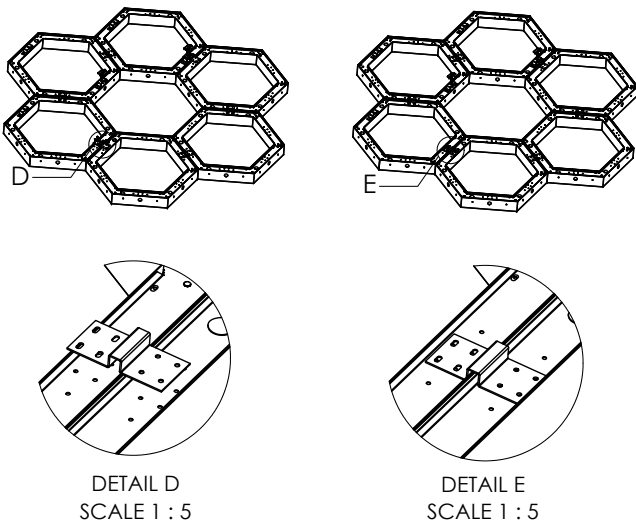


- Insert the hanging cables to the pre-installed cable clutch assemblies.
- Depress the clutch to slide the cable and adjust the length.

Step 5 Join Fixtures*

A. Install Joiner Bracket

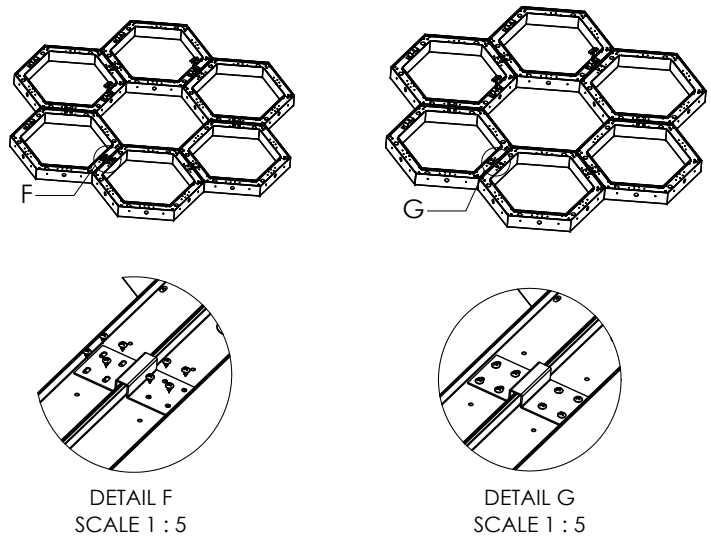
Hanging Kits Not Shown For Clarity



- Install the joiner bracket at points where fixture sets connect.
- Align the provided joiner bracket with the holes located near the middle of each fixture side.

B. Secure Fixtures

Hanging Kits Not Shown For Clarity



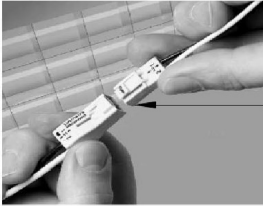
- Secure the fixtures using the provided #8 screws and a phillips screw driver.
- Install the screws to the joiner bracket and tighten to secure the fixtures.

NOTE: This step is only necessary when more than one fixture set is being installed. Be sure to hang adjoining fixture sets before this step.

INSTALLATION INSTRUCTIONS

Step 6 Power/Level

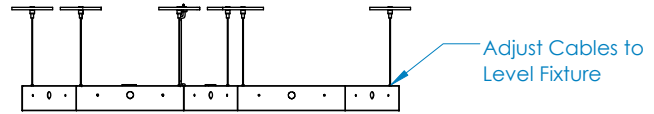
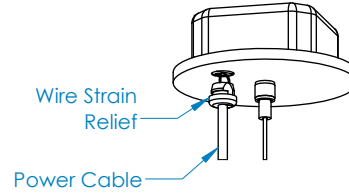
A. Wire the Fixture(s)



WIRING LEGEND		
BLACK	HOT	Line Voltage
WHITE	NEUTRAL	Line Voltage
GREEN	GROUND	
GRAY	DIMMING	0-10V DC
VIOLET	DIMMING	0-10V DC

- Wire fixtures to the incoming power supply using the provided quick disconnect clip as shown.
- For dimming option, refer to wiring legend above.
- Use UL approved connectors only. Follow all local, state and national codes. Repeat for all remaining fixtures.

B. Level the Assembly



- After connecting the fixture wiring, secure the power cable to the canopy.
- Insert the power cable into the wire strain relief, and push the wire strain relief into the canopy until it clicks into place.
- If needed, adjust cables to level assembly.
- Fixture installation is now complete.

NOTE: When multiple fixture sets are installed it may be necessary to have multiple power feed locations. Consult a licensed professional electrician to determine where extra power feed locations are needed.