

Project Name: _____ Type: _____ Quantity: _____

INTENDED USE

Alcon Lighting builds premium lighting products to specification for commercial, hospitality, healthcare, and residential projects. The Architectural LED Pendant Disk Direct Down Light features an unobtrusive low profile design with low glare. Includes adjustable stems with swivel on canopy for 60° sloped ceiling. The Disk is an ideal option for kitchen, dining, foyers or anywhere general lighting is needed.

FEATURES

- Construction:** Edge-lit technology housing is injection molded with steel backplate.
- Diffuser:** Glare-free white acrylic.
- Mounting:** Standard junction box (not included).
- Canopy:** Includes (2) 6" and (4) 12" adjustable stems with swivel on canopy for 60 deg sloped ceiling.
- Color temperature Adjustable:** 3000K, 4000K, 5000K
- CRI:** 90
- Voltage:** 120V (Triac, ELV), and 120-277V (0-10V)
- Warranty:** Five year warranty carefree for parts & components (Labor not included).
- Listings:** cETLus listed for indoor damp locations. Title 24/JA8 compliant



Size	Wattage	Lumens
16"	25W	2525lms
24"	40W	3375lms



Alcon Lighting 12183 Architectural LED Pendant Disk Light

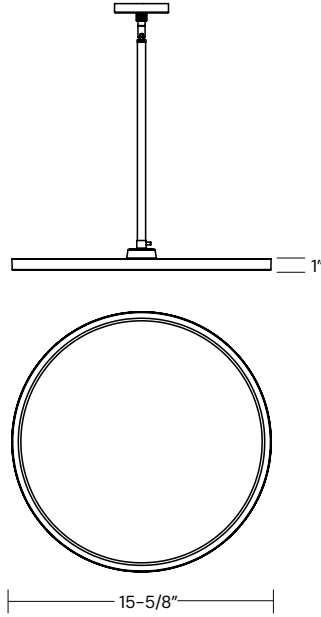
ORDERING INFORMATION Example:

Model	Size	Finish	Driver
12183	16 16 Inches 24 24 Inches	BK Black WH White	Blank 0-10V (120-277V) <small>Standard</small> TRI Triac and Electronic Low Voltage (120V)

LINE DRAWINGS

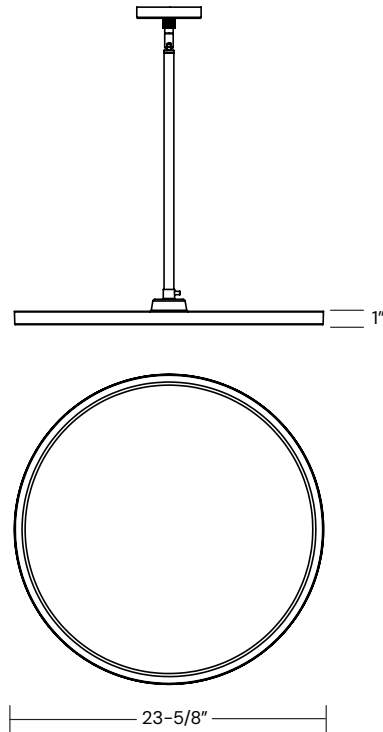
16-Inch Diameter

12183-16



24-Inch Diameter

12183-24



COLOR TEMPERATURE GUIDE

2700K	3000K	3500K	4000K	5000K
WARM WHITE	SOFT WHITE GLOW	NEUTRAL GLOW	COOL WHITE GLOW	DAYLIGHT GLOW
friendly personal intimate	soft warm pleasing	sociable inviting non-threatening	neat clean efficient	bright cool alert
HOMES LIBRARIES RESTAURANTS	HOMES HOTEL ROOMS LOBBIES RETAIL STORES	EXECUTIVE OFFICES RECEPTION AREAS SUPERMARKETS	OFFICES CLASSROOMS MASS MERCHANDISERS SHOWROOMS	GRAPHICS INDUSTRY HOSPITALS GALLERIES BEAUTY SALONS
X	✓	X	✓	✓