

Project Name: _____ Type: _____ Quantity: _____

INTENDED USE

This round commercial-grade light fixture is die-formed in 20-gauge spun steel. An architectural Light-Emitting Diode (LED) fixture with added durability featuring Bluetooth and wireless Mesh technology and a vandal-resistant design, our recessed light offers top quality, high performance and endurance. The light, which includes dimming function, may be purchased in a variety of lengths and finishes. Offering direct or indirect uplight, the 12201 is designed for versatility and performance in today's office, classroom, conference room, museum, retailer, hotel and restaurant.

PRODUCT FAMILY

- 12201-P** | Pendant Mount
- 12201-S** | Surface Mount
- 12201-R** | Recessed Mount

FEATURES

- Construction:** 2-Piece, Die-formed, 20-Gauge spun steel.
- Lens:** Glare-free flat white acrylic diffuser for even distribution.
- Voltage:** 120-277
- Dimming:** 0-10V
- CRI:** 80+
- Power Factor:** > 0.90
- THD:** < 20%
- Ambient Operating Temperature:** -22°F - 113°F
- Life:** 133,000 Hours (L70)
- Warranty:** 10 Years



SURFACE



RECESSED



STRAIGHT AIRCRAFT CABLE



MONOPOINT CABLE



STEM



ORDERING INFORMATION Example: (12201-S-2-LD44-LU15-30K-WH-AC4-F)

Model	Mounting	Size	Lumen (Down)	Lumen (Up) ²	Color Temp	Finish	Mounting Hardware	Lens Type	Options	
12201 Skyline	P Pendant S Surface R Recessed	1 14"	LD15 1520 lms 20 watts	Blank Indirect not available for 14"	30K 3000K	MWH Standard Matte White GWH Gloss White MBK Matte Black GBK Gloss Black MSL Matte Silver GSL Gloss Silver BZ Bronze RAL -XXXX (To Specify: Use RAL # found on Page 2)	Blank None Required AC4 4ft Straight Aircraft Cable AC8 8ft Straight Aircraft Cable AC15 15ft Straight Aircraft Cable AC20 20ft Straight Aircraft Cable MP4 4ft Monopoint Cable MP8 8ft Monopoint Cable MP15 15ft Monopoint Cable MP20 20ft Monopoint Cable ST2 ⁴ 2ft Stem ST3 ⁴ 3ft Stem ST4 ⁴ 4ft Stem ST5 ⁴ 5ft Stem ST6 ⁴ 6ft Stem ST8 ⁴ 8ft Stem	F Flat CV ³ Concave CX ³ Convex	EM Emergency Backup Battery	
			LD20 2000 lms 25 watts		35K 3500K					
			LD32 3200 lms 40 watts		40K 4000K 50K 5000K					
			2 24"	LD31 3120 lms 40 watts LD44 4400 lms 55 watts LD64 6480 lms 80 watts	LU15 1520 lms 20 watts LU20 2000 lms 25 watts LU32 3200 lms 40 watts					
			3 36"	LD64 6400 lms 80 watts LD80 8080 lms 100 watts LD95 9520 lms 120 watts	LU31 3120 lms 40 watts LU44 4400 lms 55 watts LU64 6480 lms 80 watts					
			4 48"	LD92 9200 lms 115 watts LD125 12560 lms 160 watts LD168 16880 lms 210 watts	LU64 6400 lms 80 watts LU80 8080 lms 100 watts LU95 9520 lms 120 watts					
			5 60"	LD162 16240 lms 200 watts LD188 18800 lms 235 watts LD207 20720 lms 260 watts	LU92 9200 lms 115 watts LU125 12560 lms 160 watts LU168 16880 lms 210 watts					









¹ Only Available in Direct Downlight.
² Indirect Lighting available only for Suspended 2ft, 3ft, 4ft, 5ft.
³ Only Available for Recessed Mount in addition to Flat Lens.
⁴ Only Available for Direct models.

Available Finishes







Standard

	01	White	RAL #9003
	02	Black	RAL #9011
	03	Silver	RAL #9022
	04	Crystal White	RAL #9010
	05	Natural Aluminum	RAL #7035
	06	Hampden	RAL #9001
	07	London	RAL #7044

Metropolitan

	08	Urban Native	RAL #8025
	09	Military Green	RAL #6011
	10	Carmin	RAL #8028
	11	Chocolate Spice	RAL #8017
	12	Asher Grey	RAL #7004
	13	Tech Grey	RAL #7016
	14	Slate	RAL #7031
	15	Mason	RAL #7039

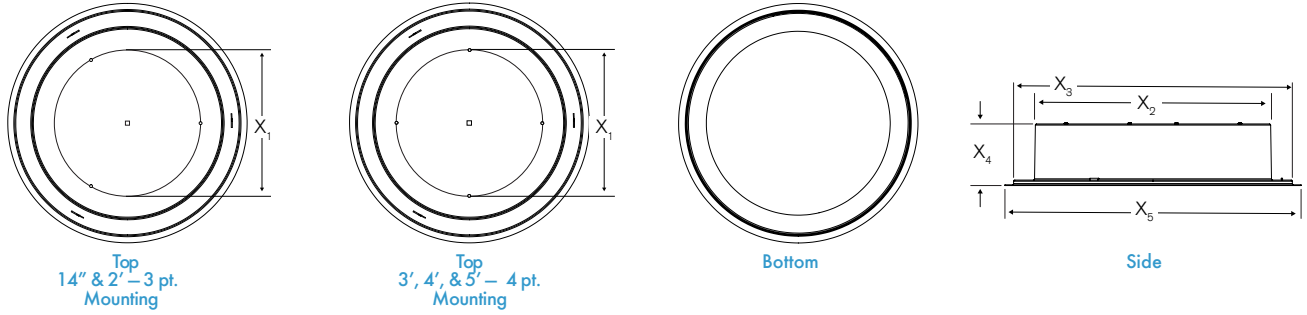
Vibrant

	16	Violet Dreams	RAL #4006
	17	Sangria Sunset	RAL #2004
	18	Deep Pink	RAL #4010
	19	Ruby Red	RAL #3027
	20	Island Skye	RAL #6027
	21	Sophia	RAL #5015
	22	Antique Spring	RAL #6019
	23	Daisy	RAL #1018
	24	Gun Metal	RAL #7024



KEYS

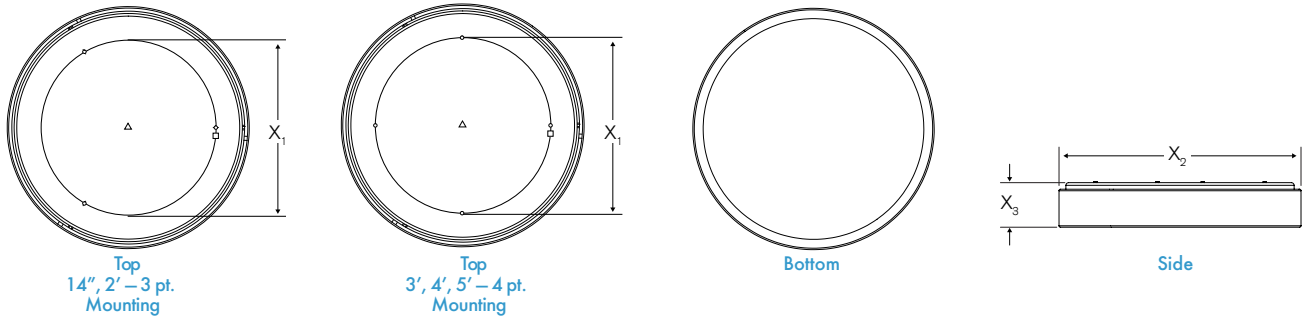
RECESSED



	14"	2'	3'	4'	5'
Mounting, X_1	10.3"	19.0"	26.0"	36.0"	47.0"
Recessed Clearance 1, X_2	13.0"	25.0"	34.8"	45.8"	57.0"
Recessed Clearance 2, X_3	16.4"	29.4"	39.2"	50.2"	62.0"
Height, X_4	6.5"	6.5"	7.6"	7.9"	8.3"
Trim, X_5	18.3"	31.3"	41.0"	52.0"	63.8"

KEY	
	Power Feed for Straight Cable
	Mounting

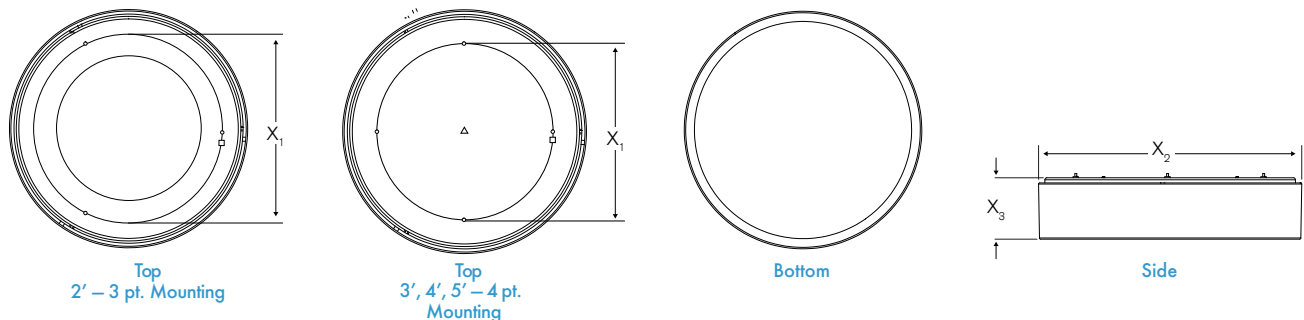
SUSPENDED DIRECT, SURFACE



	14"	2'	3'	4'	5'
Mounting, X_1	10.3"	19.0"	26.0"	36.0"	47.0"
Diameter, X_2	14.0"	26.3"	36.2"	47.2"	59.0"
Height, X_3	3.7"	4.8"	4.8"	5.1"	5.2"
Weight (lbs)	10	45	70	90	110

KEY	
	Power Feed for Mono, Surface, Stem
	Power Feed for Straight Cable
	Mounting

SUSPENDED DIRECT-INDIRECT



	2'	3'	4'	5'
Mounting, X_1	19.0"	26.0"	36.0"	47.0"
Diameter, X_2	26.4"	36.2"	47.2"	59.0"
Height, X_3	7.3"	8.5"	8.7"	9.1"
Weight (lbs)	55	85	110	135

KEY	
	Power Feed for Straight Cable
	Mounting

COLOR TEMPERATURE GUIDE

2700K	3000K	3500K	4000K	5000K
WARM WHITE	SOFT WHITE GLOW	NEUTRAL GLOW	DAYLIGHT GLOW	CRYSTAL WHITE GLOW
friendly personal intimate	soft warm pleasing	sociable inviting non-threatening	neat clean efficient	bright cool alert
HOMES LIBRARIES RESTAURANTS	HOMES HOTEL ROOMS LOBBIES RETAIL STORES	EXECUTIVE OFFICES RECEPTION AREAS SUPERMARKETS	OFFICES CLASSROOMS MASS MERCHANDISERS SHOWROOMS	GRAPHICS INDUSTRY HOSPITALS GALLERIES BEAUTY SALONS
X	✓	✓	✓	✓