

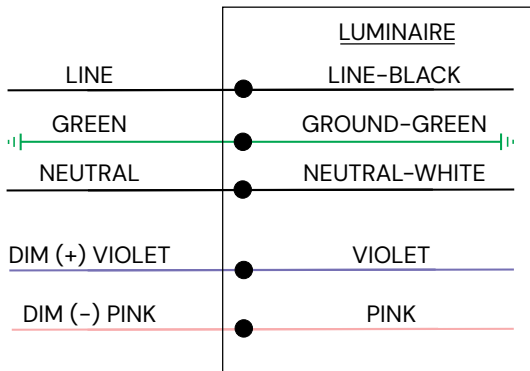


RISK OF FIRE AND ELECTRICAL SHOCK. FIXTURE MUST BE INSTALLED BY A QUALIFIED ELECTRICIAN ONLY IN ACCORDANCE WITH NATIONAL, LOCAL BUILDING AND ELECTRICAL CODES. DISCONNECT POWER AT ELECTRICAL PANEL BEFORE SERVICING.

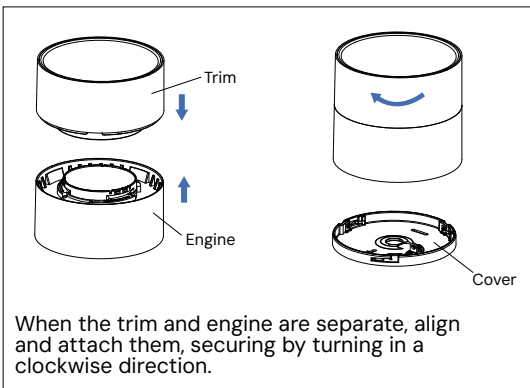
IMPORTANT

1. Read all instructions.
2. Install following national and local electrical code regulations.
3. This product is intended to be installed and serviced by a qualified, licensed electrician.
4. Do not install in wet locations, for dry and damp use only.
5. Turn off electrical power before installing or servicing the fixture in any way.
6. To reduce the risk of fire and overheating, ensure all connections are tight.
7. Under no circumstances can the lighting fixture be covered with a heat insulation gasket or similar materials.

WIRING

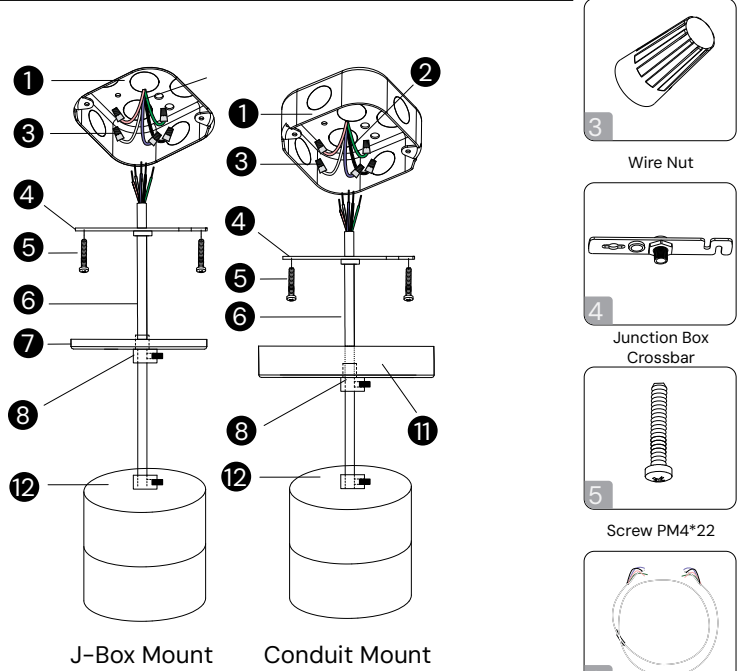


STRUCTURE OF LAMP



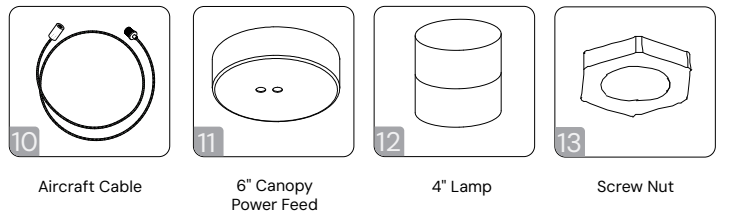
INSTALLATION

Pendant With Cable



Part List

- 1 4" Octagon Junction Box (By Others)
- 2 Power Cord (By Others)
- 3 Wire Nut
- 4 Junction Box Crossbar
- 5 Screw PM4*22
- 6 Power Cord
- 7 4" Canopy Power Feed
- 8 Cable Clip
- 9 Cable Holder
- 10 Aircraft Cable
- 11 6" Canopy Power Feed
- 12 4" Lamp
- 13 Screw nut

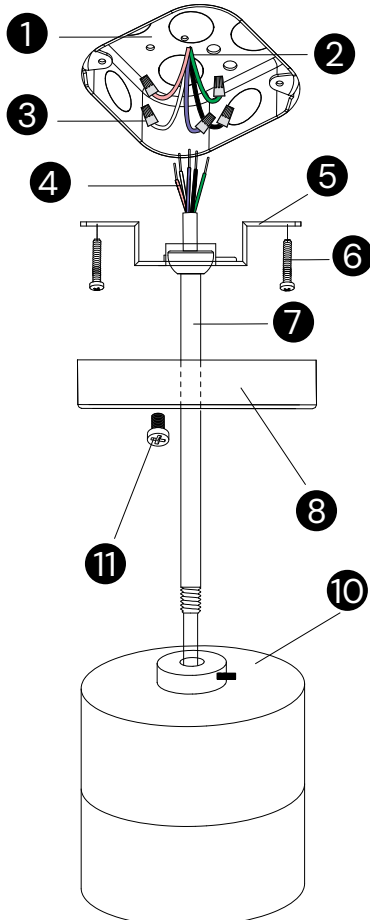




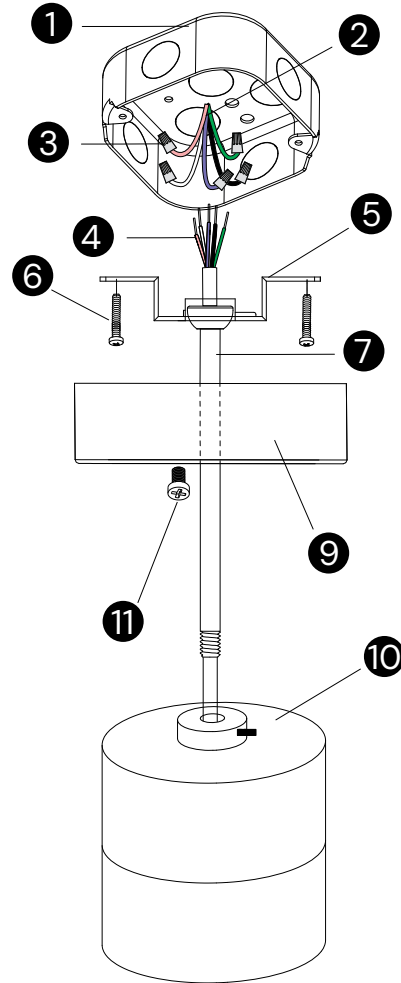
RISK OF FIRE AND ELECTRICAL SHOCK. FIXTURE MUST BE INSTALLED BY A QUALIFIED ELECTRICIAN ONLY IN ACCORDANCE WITH NATIONAL, LOCAL BUILDING AND ELECTRICAL CODES. DISCONNECT POWER AT ELECTRICAL PANEL BEFORE SERVICING.

INSTALLATION

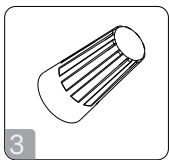
Pendant With Stem



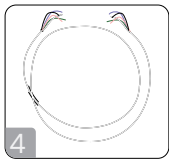
J-Box Mount



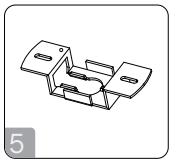
Conduit Mount



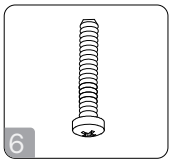
Wire Nut



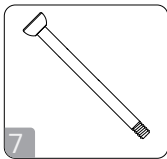
Power Cord



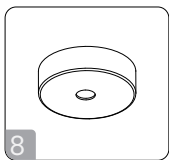
Junction Box Crossbar



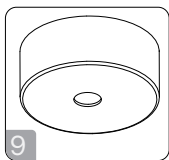
Screw PM4*22



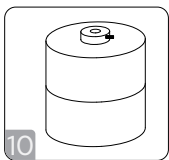
Stem Kits



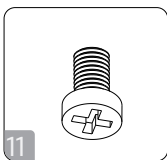
4" Stem Canopy Kits



6" Stem Canopy Kits



4" Lamp



Screw PM3*5

Part List

- 1 4" Octagon Junction Box (By Others)
- 2 Power Cord (By Others)
- 3 Wire Nut
- 4 Power Cord
- 5 Junction Box Crossbar
- 6 Screw PM4*22
- 7 Stem Kits
- 8 4" Stem Canopy Kits
- 9 6" Stem Canopy Kits
- 10 4" Lamp
- 11 Screw PM3*5