

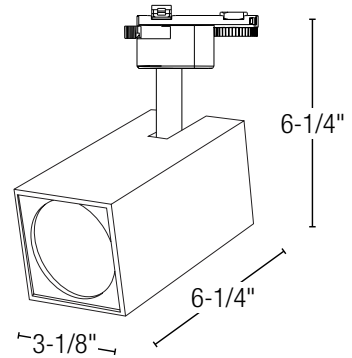
FIXTURE SPECIFICATIONS

INTENDED USE

The specification grade **13131 Cuboid** Architectural LED track light fixtures delivers continuous clear light to commercial, hospitality and residential interior lighting applications. Our Modern Track Lighting designs offer excellent ceiling track lighting, exceptional performance and versatility in offices, classrooms, conference rooms, museums, retail outlets, hotels, restaurants, and more. Our 13131 Cuboid LED Track Lighting fixture delivers up to 2800 lumens and features an integrated driver housing providing a sleek and modern look, designed to quietly compliment any space.

FEATURES

- Construction:** Die-cast aluminum construction dissipates heat for longer life
- Adjustability:** 315° horizontal and 90° vertical adjustment
- Optics:** Molded TIR Optic engineered to provide a smooth uniform beam, maximizing output and minimizing glare. Available in spot, medium or flood beam spreads.
- Voltage:** 120VAC, 50/60Hz
- Binning:** 2-step MacAdam (2 SDCM)
- Dimming:** Down to 10%
- CRI:** 80+
- Color Temperature:** 3500K
- Warranty:** 5-Year Limited Warranty
- Listings:** cULus Listed for Damp Location



Black Snoot

S
Adds a black snoot which reduces glare and spill light.



Black Direction Shield

D
Directional shield provides 45° cutoff.



Honeycomb Louver

H
Adds a honeycomb louver accessory to track head.



Frosted Glass

F
Replaces the clear glass included with track head.



ORDERING INFORMATION | Example: (13131-36-S-W)

Model	Wattage Lumens	Beam Spread	Finish	Optional Accessories
13131 Track Light	36 18 Watts 1400 Lumen 27 28 Watts 2200 Lumen 48 33 Watts 2800 Lumen	S 24° Spot NF 40° Narrow Flood F 60° Flood	W White B Black	S Black Finish Snoot D Black Finish Directional Shield H Honeycomb Louver F Frosted Glass

