

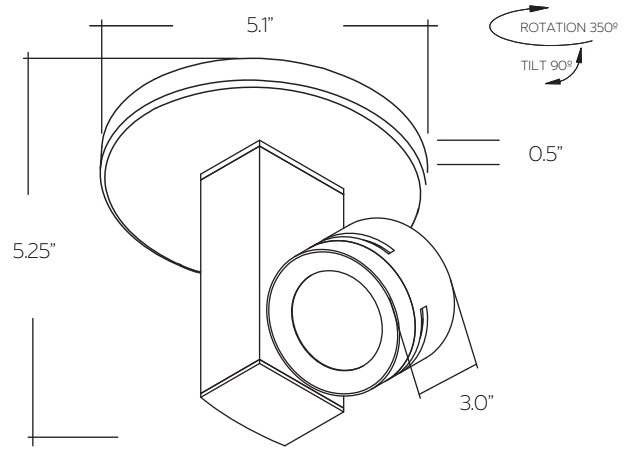
Project Name: \_\_\_\_\_ Type: \_\_\_\_\_ Quantity: \_\_\_\_\_

### INTENDED USE

The specification grade 13306-M LED Adjustable Monopoint Light delivers direct monopoint lighting to commercial, hospitality and residential interior ceiling monopoint lighting applications. Architecturally styled LED monopoint lights feature small, unobtrusive size and are highly adjustable. Our modern LED monopoint light fixture designs offer excellent illumination, exceptional performance and versatility in offices, classrooms, conference rooms, museums, retail outlets, hotels, restaurants, and more.

### FEATURES

- Construction:** Solid die-cast aluminum
- Adjustability:** 90° Adjustable head with 350° rotation
- Wattage:** 12.5W
- Lumens:** 700L
- CRI:** 80+
- LED Life:** 50,000 Hours
- Dimming:** TRIAC and ELV
- Warranty:** 5 Years Carefree for Parts & Components (Labor Not Included)
- Listings:** cULus, RoHS Compliant



### ORDERING INFORMATION Example: (13306-27-BK-SP-120)

| Model | Color Temp | Finish   | Optics            | Voltage  |
|-------|------------|----------|-------------------|----------|
| 13306 | 27 2700K   | BK Black | SP 19° Spot       | 120 120V |
|       | 30 3000K   | WH White | FL 30° Flood      | 277 277V |
|       | 40 4000K   |          | WF 45° Wide Flood |          |