

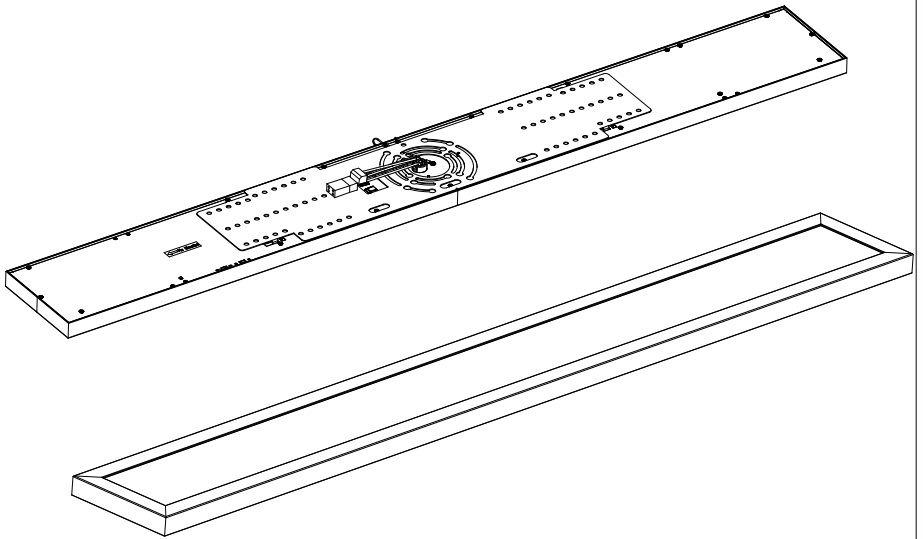
1. Read all instructions.
2. Install in accordance with national and local electrical code regulations.
3. This product is intended to be installed and serviced by a qualified, licensed electrician.
4. Do not install in wet locations. For dry and damp use only.
5. Turn off electrical power before installing or servicing fixture in any way.
6. To reduce the risk of fire and overheating, make sure all connections are tight.
7. Follow label information and instructions concerning Wet or Damp Locations, installation near combustible materials, insulation, building materials, and proper lamping. Do not install in areas subject to combustible vapors or gases.



**SHOCK HAZARD!** May result in serious injury or death.  
Turn power OFF at circuit breaker prior to installation or servicing.

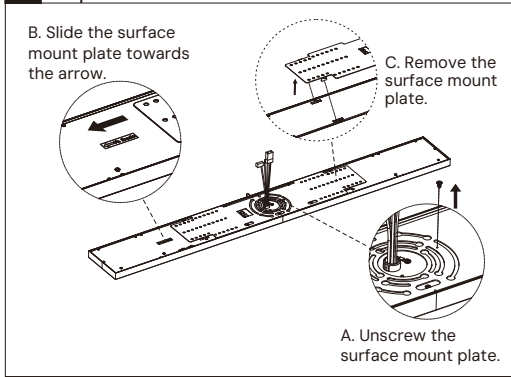


**DO NOT PINCH OR PUT EXTENSIVE TENSION ON WIRES**  
While joining sections or reattaching end caps.

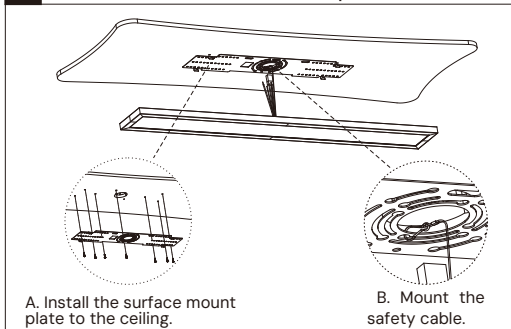


**RISK OF FIRE AND ELECTRICAL SHOCK. FIXTURE MUST BE INSTALLED BY A QUALIFIED ELECTRICIAN ONLY IN ACCORDANCE WITH NATIONAL, LOCAL BUILDING AND ELECTRICAL CODES. DISCONNECT POWER AT ELECTRICAL PANEL BEFORE SERVICING.**

### 1 Prepare the fixture



### 2 Attach the surface mount plate



### 3 Proper wire connections and mount the fixture

